

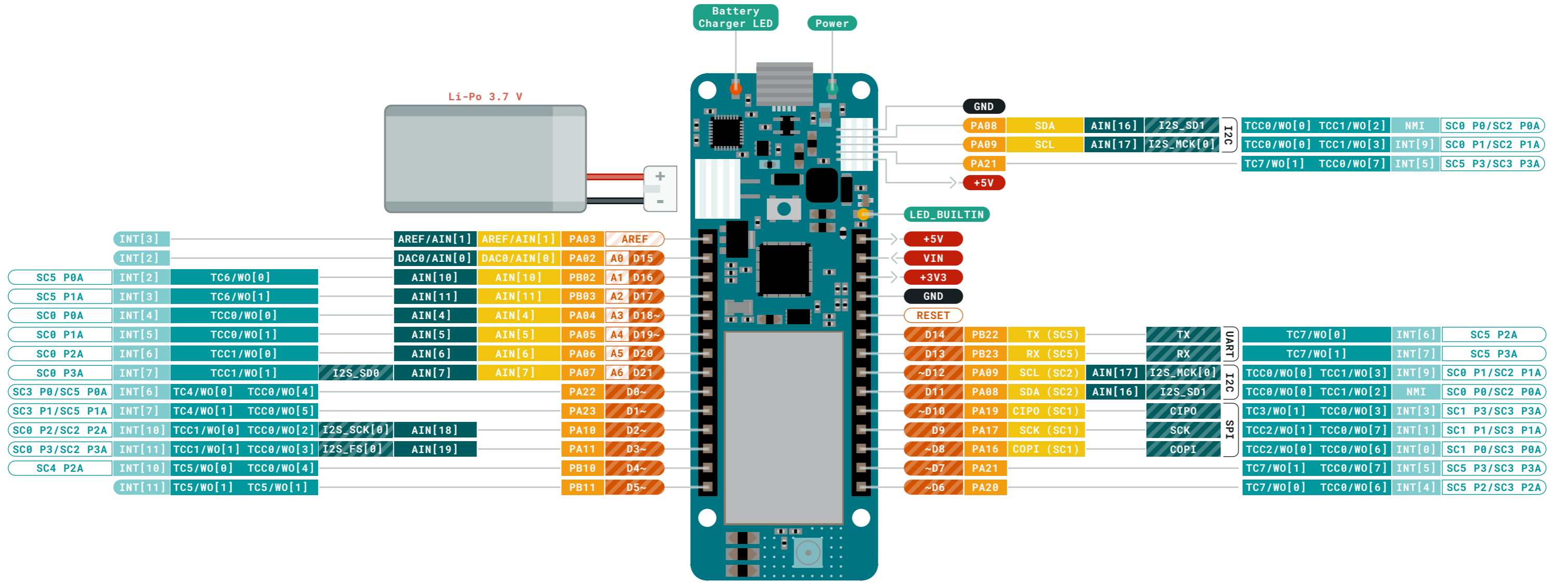
- Ground
- Power
- LED
- Internal Pin
- SWD Pin
- Digital Pin
- Analog Pin
- Other Pin
- Microcontroller's Port
- Default

- ⚠ **MAXIMUM** current per pin is 7mA
- ⚠ **MAXIMUM** source current is 46mA
- ⚠ **MAXIMUM** sink current is 65mA per pin group

**VIN** Input voltage to the board.

NOTE: CIP0/COPI have previously been referred to as MISO/MOSI





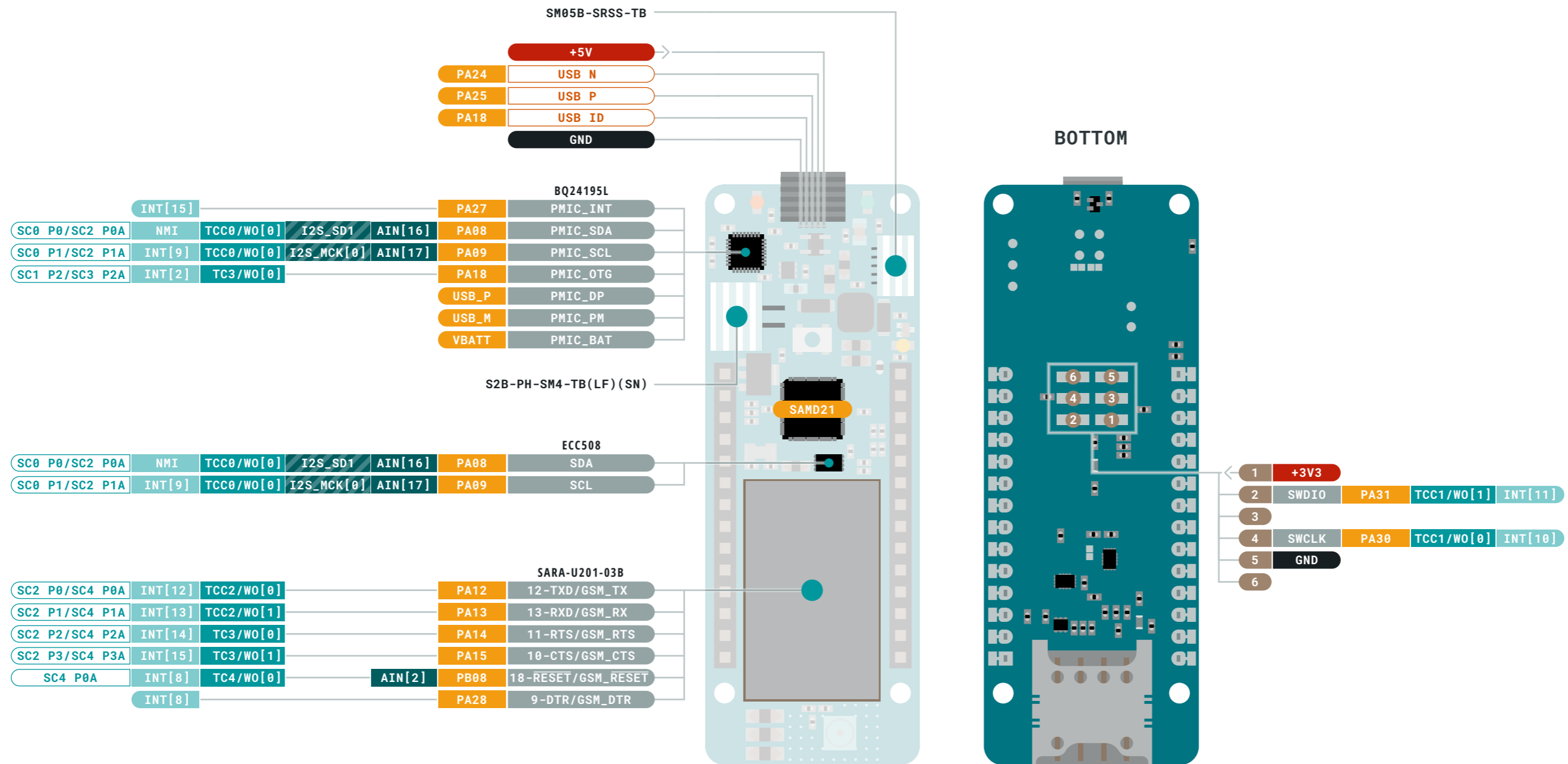
Ground	Digital Pin	Analog
Power	Analog Pin	Communication
LED	Other Pin	Timer
Internal Pin	Microcontroller's Port	Interrupt
SWD Pin	Default	Sercom

- MAXIMUM** current per pin is 7mA
- MAXIMUM** source current is 46mA
- MAXIMUM** sink current is 65mA per pin group

**VIN** Input voltage to the board.

NOTE: CIP0/COPI have previously been referred to as MISO/MOSI





- Ground
- Power
- LED
- Internal Pin
- SWD Pin
- Digital Pin
- Analog Pin
- Other Pin
- Microcontroller's Port
- Default
- Analog
- Communication
- Timer
- Interrupt
- Sercom

- MAXIMUM** current per pin is 7mA
- MAXIMUM** source current is 46mA
- MAXIMUM** sink current is 65mA per pin group

VIN Input voltage to the board.

NOTE: CIPO/COPI have previously been referred to as MISO/MOSI

