

- Ground
- Power
- LED
- Internal Pin
- SWD Pin
- Digital Pin
- Analog Pin
- Other Pin
- Microcontroller's Port
- Default

⚠ TOTAL DC OUTPUT current per I/O lines is 130mA

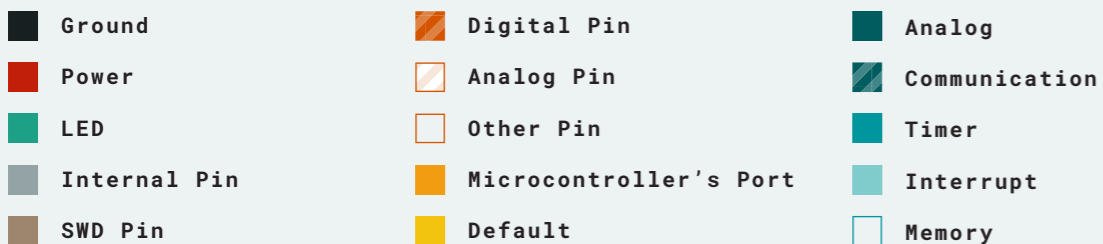
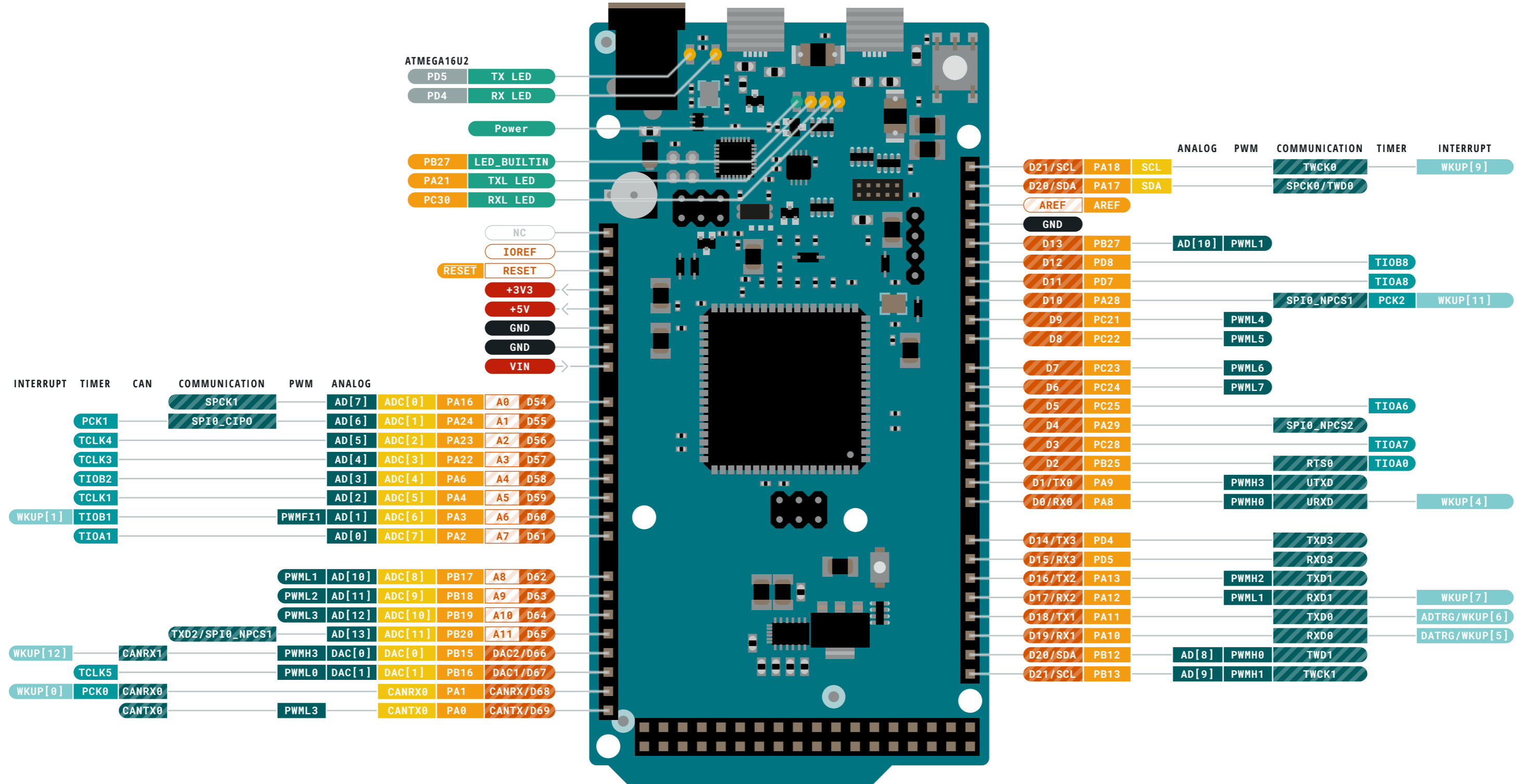
VIN 6-20 V input to the board.

NOTE: CIPO/COPI have previously been referred to as MISO/MOSI

The ADC's channel 15 is not available because connected to the ATSAM3X8E temperature sensor

To check the maximum currents applicable per pins please see the datasheet at STORE.ARDUINO.CC/ARDUINO-DUE





⚠ TOTAL DC OUTPUT current per I/O lines is 130mA

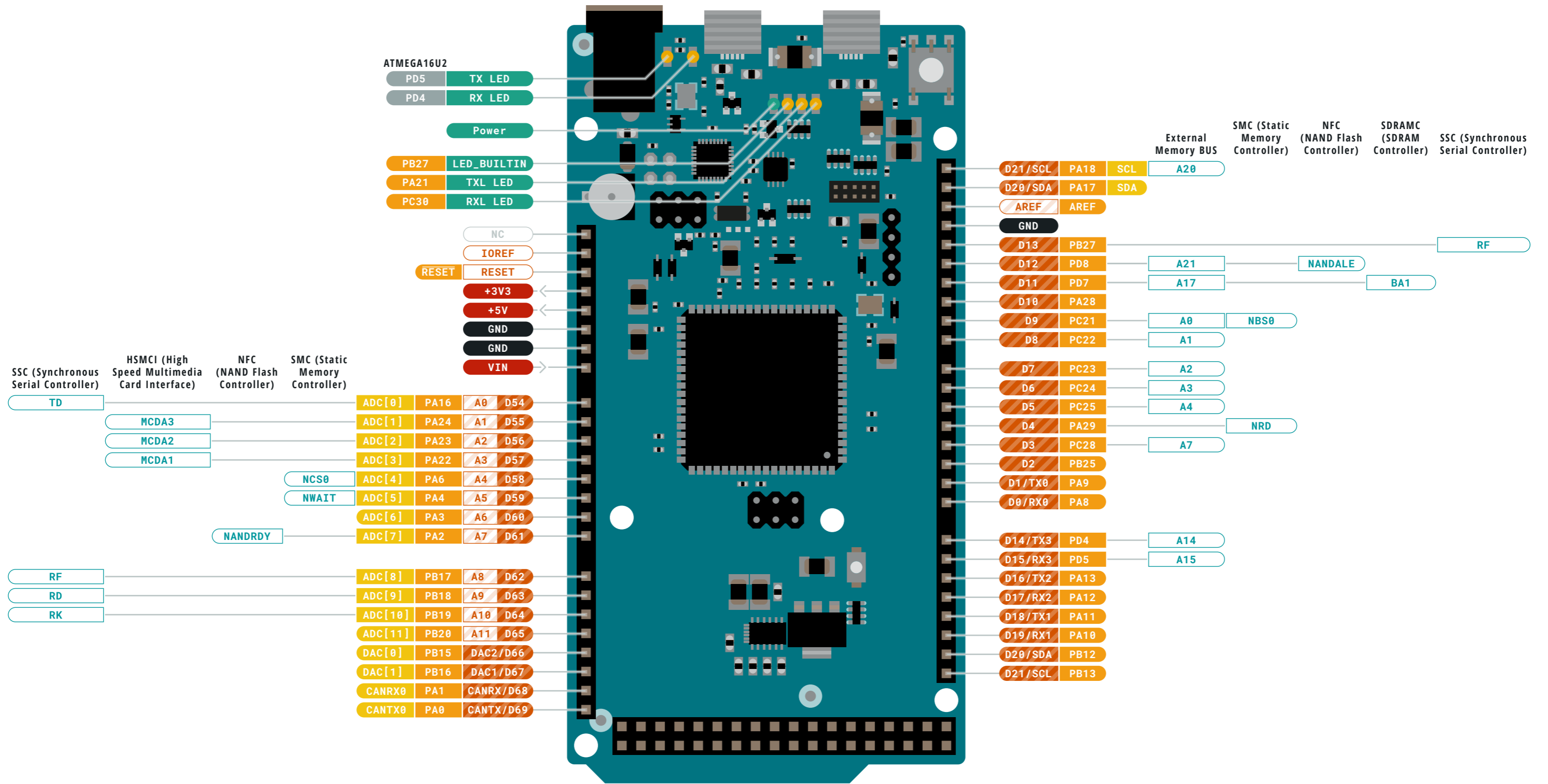
VIN 6-20 V input to the board

NOTE: CIPO/COPI have previously been referred to as MISO/MOSI

The ADC's channel 15 is not available because connected to the ATSAM3X8E temperature sensor

To check the maximum currents applicable per pins please see the datasheet at STORE.ARDUINO.CC/ARDUINO-DUE





- Ground
- Power
- LED
- Internal Pin
- SWD Pin
- Digital Pin
- Analog Pin
- Other Pin
- Microcontroller's Port
- Default
- Analog
- Communication
- Timer
- Interrupt
- Memory

⚠ TOTAL DC OUTPUT current per I/O lines is 130mA

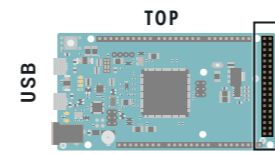
VIN 6-20 V input to the board

NOTE: CIPO/COPI have previously been referred to as MISO/MOSI

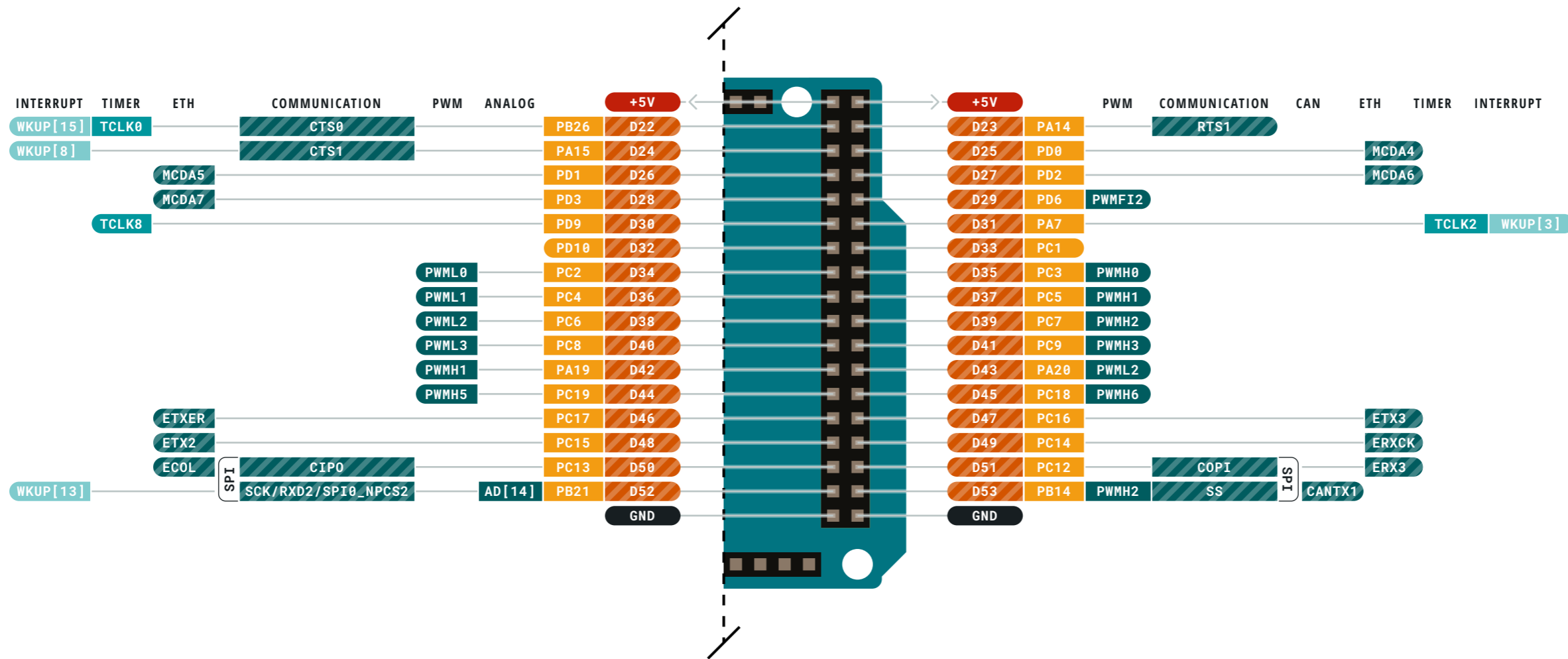
The ADC's channel 15 is not available because connected to the ATSAM3X8E temperature sensor

To check the maximum currents applicable per pins please see the datasheet at STORE.ARDUINO.CC/ARDUINO-DUE





Digital pins D22-D53



- Ground
- Power
- LED
- Internal Pin
- SWD Pin
- Digital Pin
- Analog Pin
- Other Pin
- Microcontroller's Port
- Default
- Analog
- Communication
- Timer
- Interrupt
- Memory

⚠ TOTAL DC OUTPUT current per I/O lines is 130mA

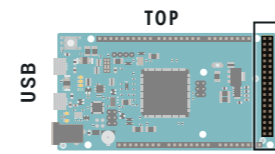
VIN 6-20 V input to the board

NOTE: CIPO/COPI have previously been referred to as MISO/MOSI

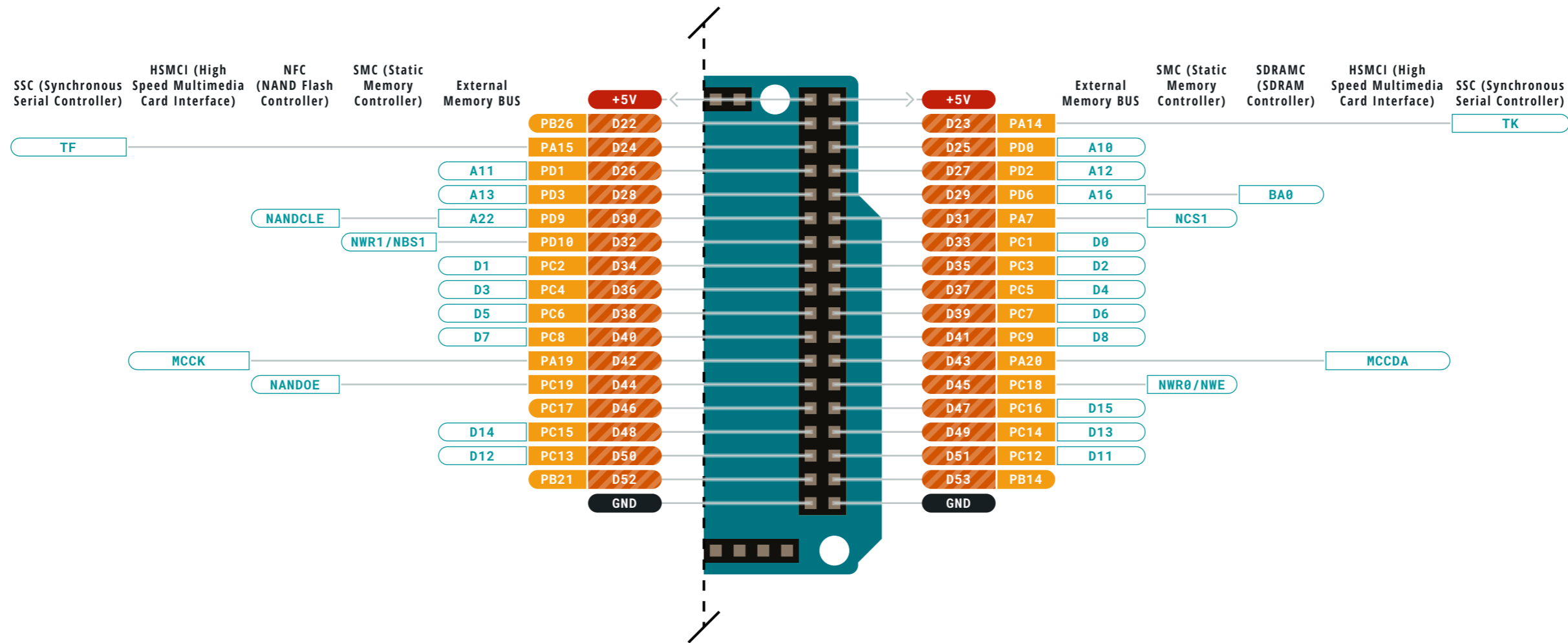
The ADC's channel 15 is not available because connected to the ATSAM3X8E temperature sensor

To check the maximum currents applicable per pins please see the datasheet at STORE.ARDUINO.CC/ARDUINO-DUE





Digital pins D22-D53



- Ground
- Power
- LED
- Internal Pin
- SWD Pin
- Digital Pin
- Analog Pin
- Other Pin
- Microcontroller's Port
- Default
- Analog
- Communication
- Timer
- Interrupt
- Memory

! TOTAL DC OUTPUT current per I/O lines is 130mA

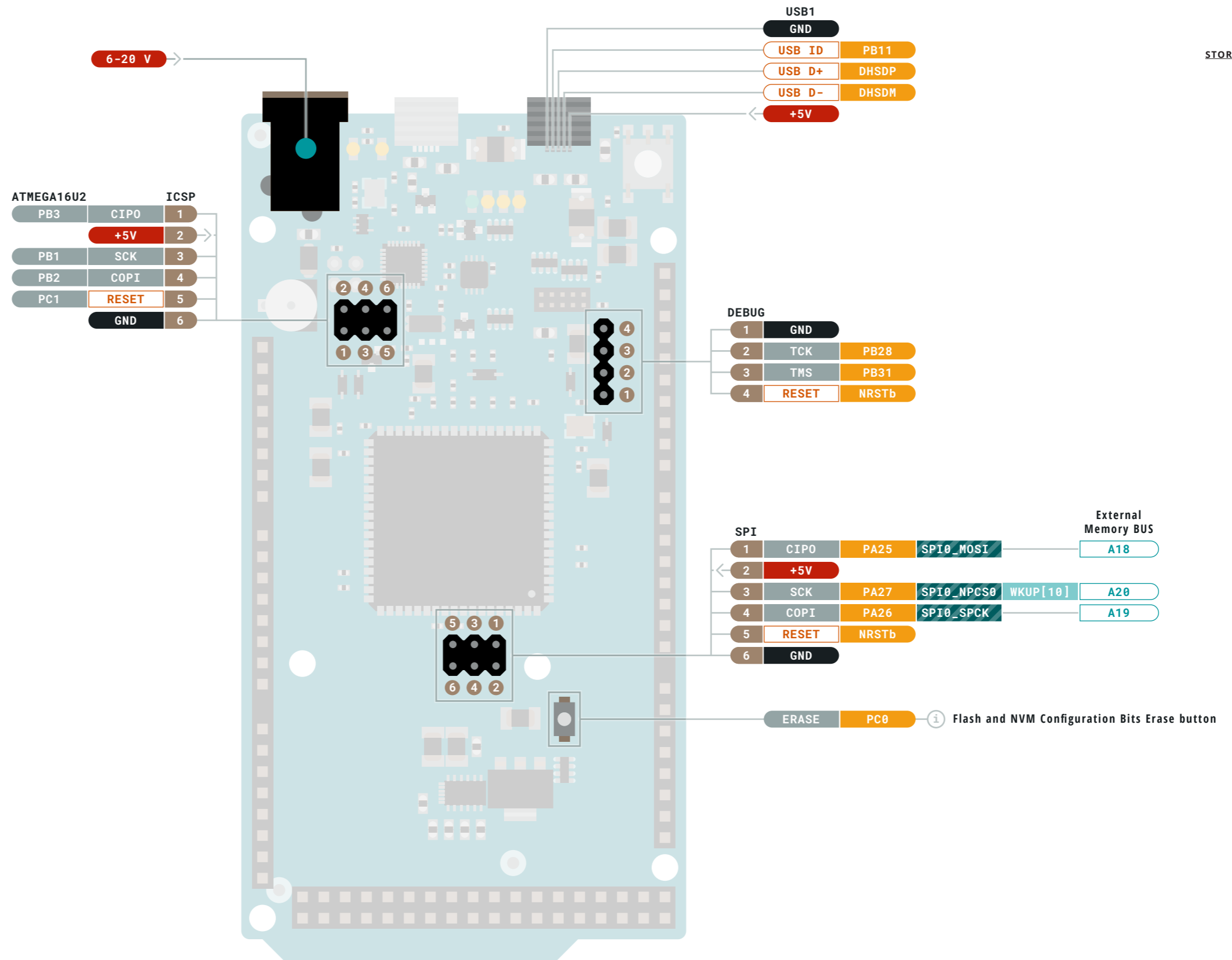
VIN 6-20 V input to the board

NOTE: CIPO/COPI have previously been referred to as MISO/MOSI

The ADC's channel 15 is not available because connected to the ATSAM3X8E temperature sensor

To check the maximum currents applicable per pins please see the datasheet at STORE.ARDUINO.CC/ARDUINO-DUE





- Ground
- Power
- LED
- Internal Pin
- SWD Pin
- Digital Pin
- Analog Pin
- Other Pin
- Microcontroller's Port
- Default
- Analog
- Communication
- Timer
- Interrupt
- Memory

⚠ TOTAL DC OUTPUT current per I/O lines is 130mA

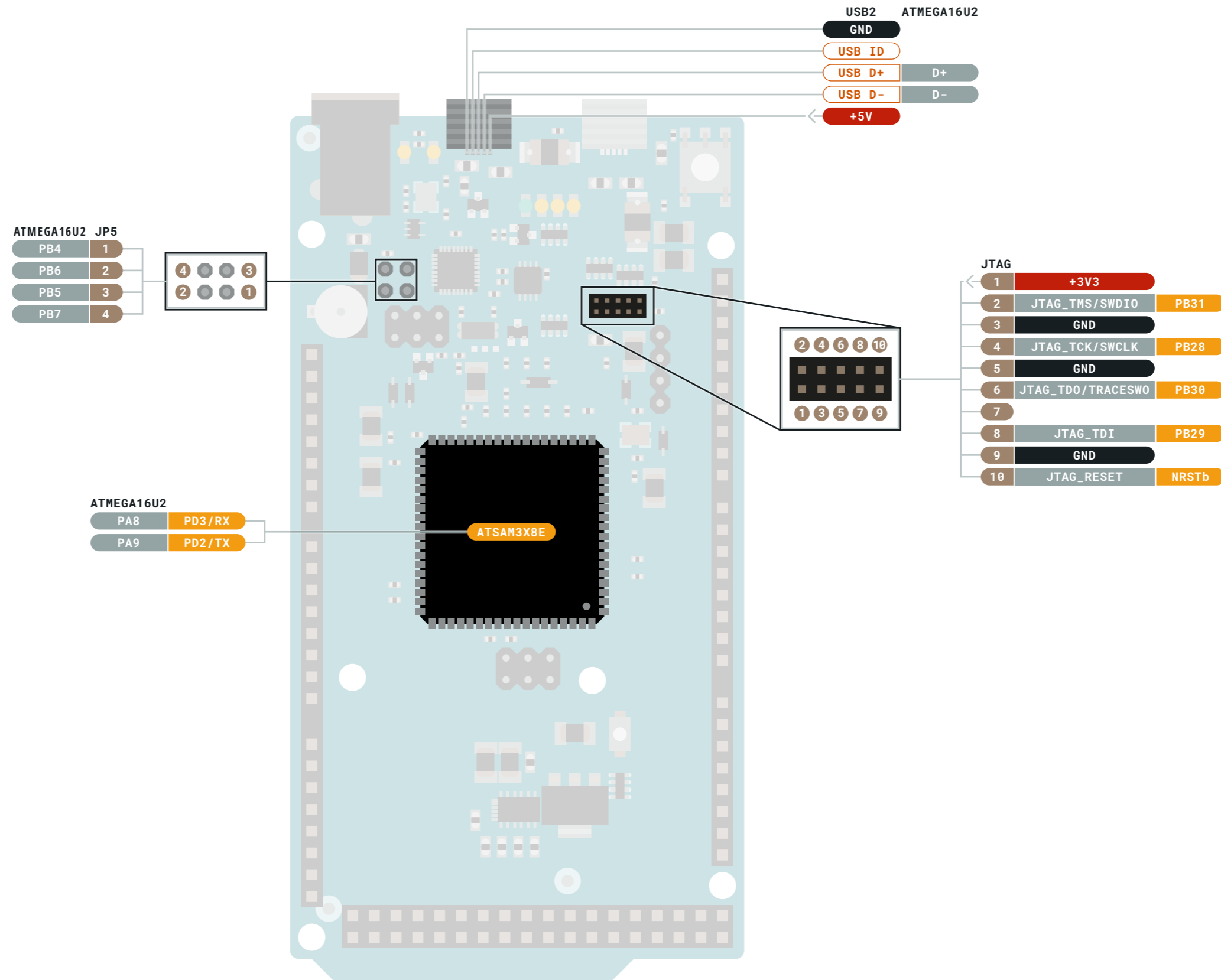
VIN 6-20 V input to the board

NOTE: CIPO/COPI have previously been referred to as MISO/MOSI

The ADC's channel 15 is not available because connected to the ATSAM3X8E temperature sensor

To check the maximum currents applicable per pins please see the datasheet at STORE.ARDUINO.CC/ARDUINO-DUE





- Ground
- Power
- LED
- Internal Pin
- SWD Pin
- Digital Pin
- Analog Pin
- Other Pin
- Microcontroller's Port
- Default

⚠ TOTAL DC OUTPUT current per I/O lines is 130mA

VIN 6-20 V input to the board.

NOTE: CIPO/COPI have previously been referred to as MISO/MOSI

The ADC's channel 15 is not available because connected to the ATSAM3X8E temperature sensor

To check the maximum currents applicable per pins please see the datasheet at STORE.ARDUINO.CC/ARDUINO-DUE

