

- Ground
- Power
- LED
- Internal Pin
- SWD Pin
- Digital Pin
- Analog Pin
- Other Pin
- Microcontroller's Port
- Default

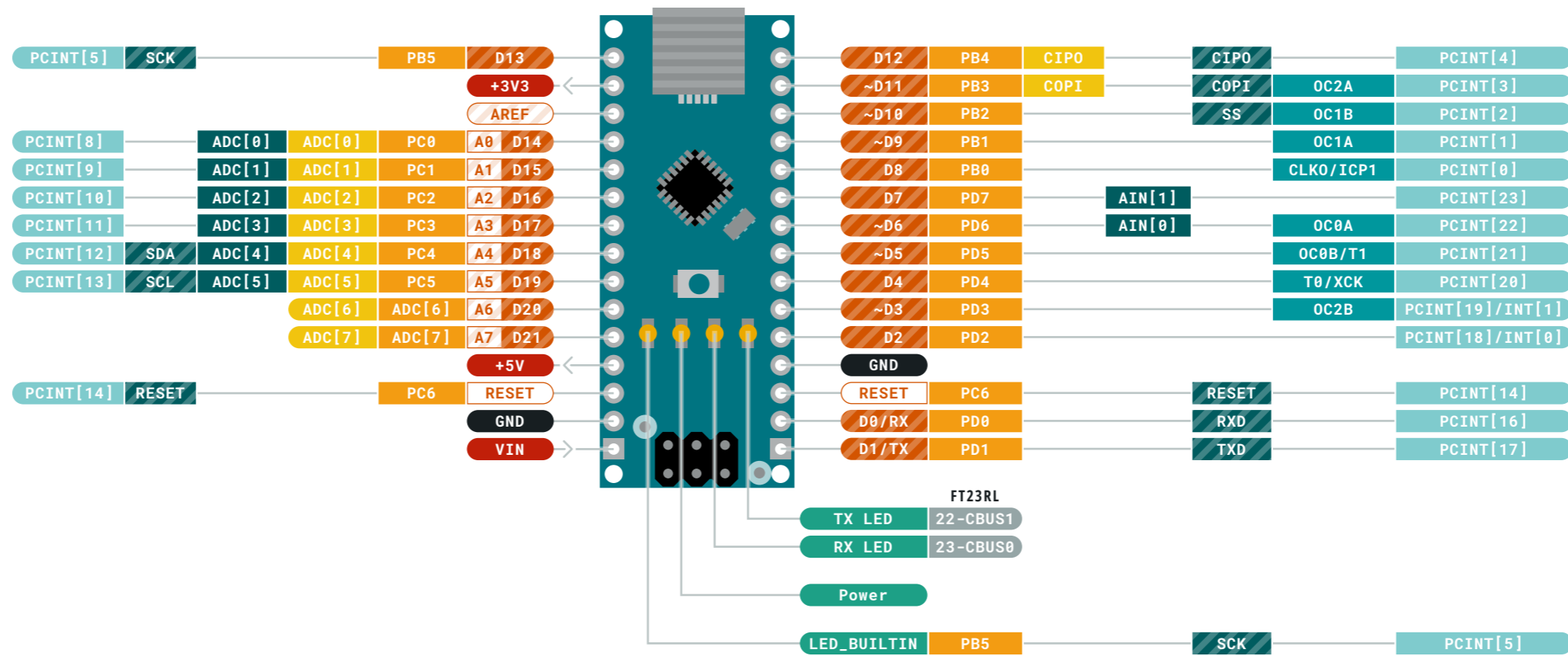
**!** **MAXIMUM** current per I/O pin is 20mA

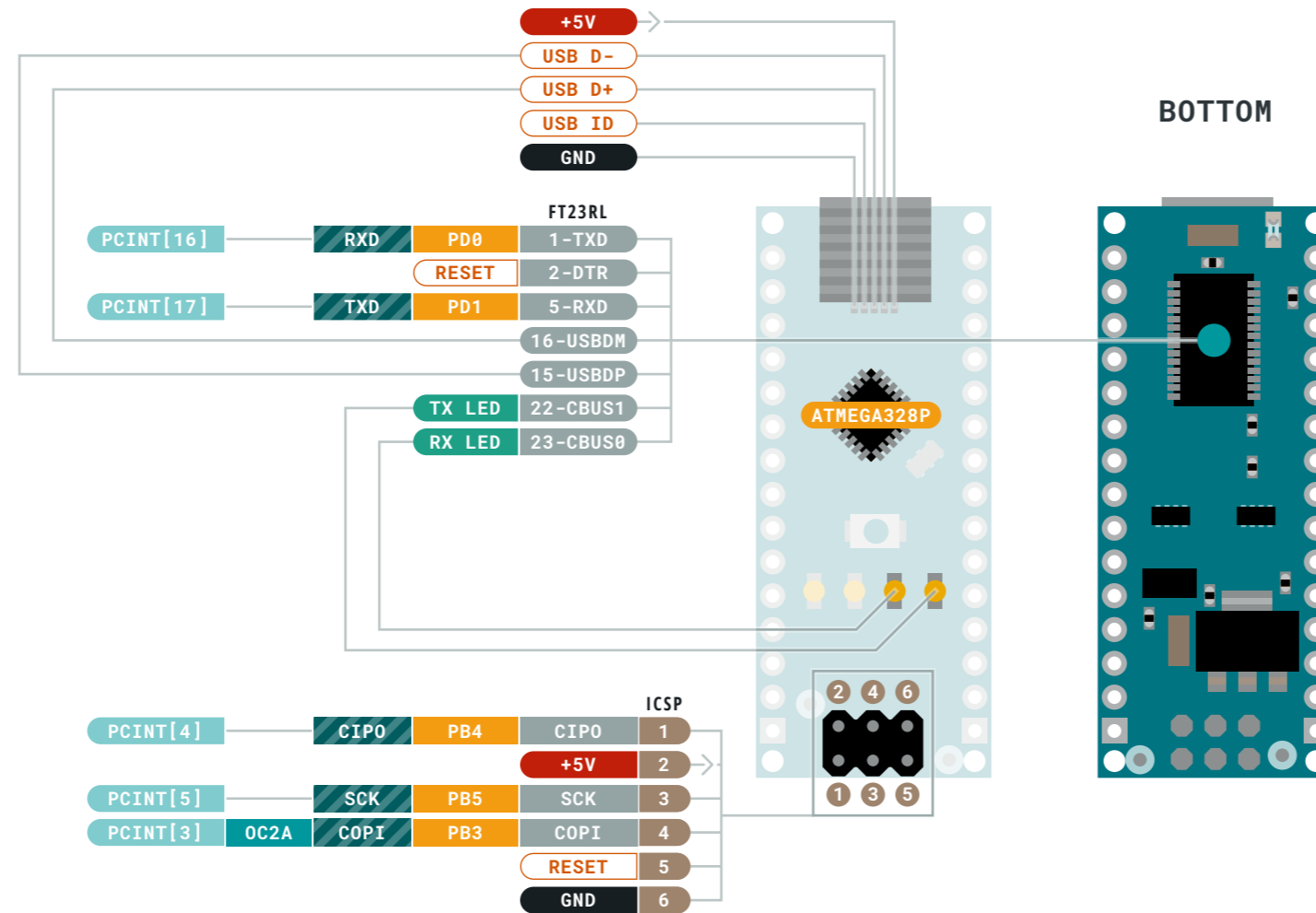
**!** **MAXIMUM** current per +3.3V pin is 50mA

**VIN** 7-12 V input to the board.

NOTE: CIPO/COPI have previously been referred to as MISO/MOSI







- Ground
- Power
- LED
- Internal Pin
- SWD Pin
- Digital Pin
- Analog Pin
- Other Pin
- Microcontroller's Port
- Default
- Analog
- Communication
- Timer
- Interrupt
- Sercom

**!** **MAXIMUM** current per I/O pin is 20mA

**!** **MAXIMUM** current per +3.3V pin is 50mA

**VIN** 7-12 V input to the board.

NOTE: CIP0/COPI have previously been referred to as MISO/MOSI

