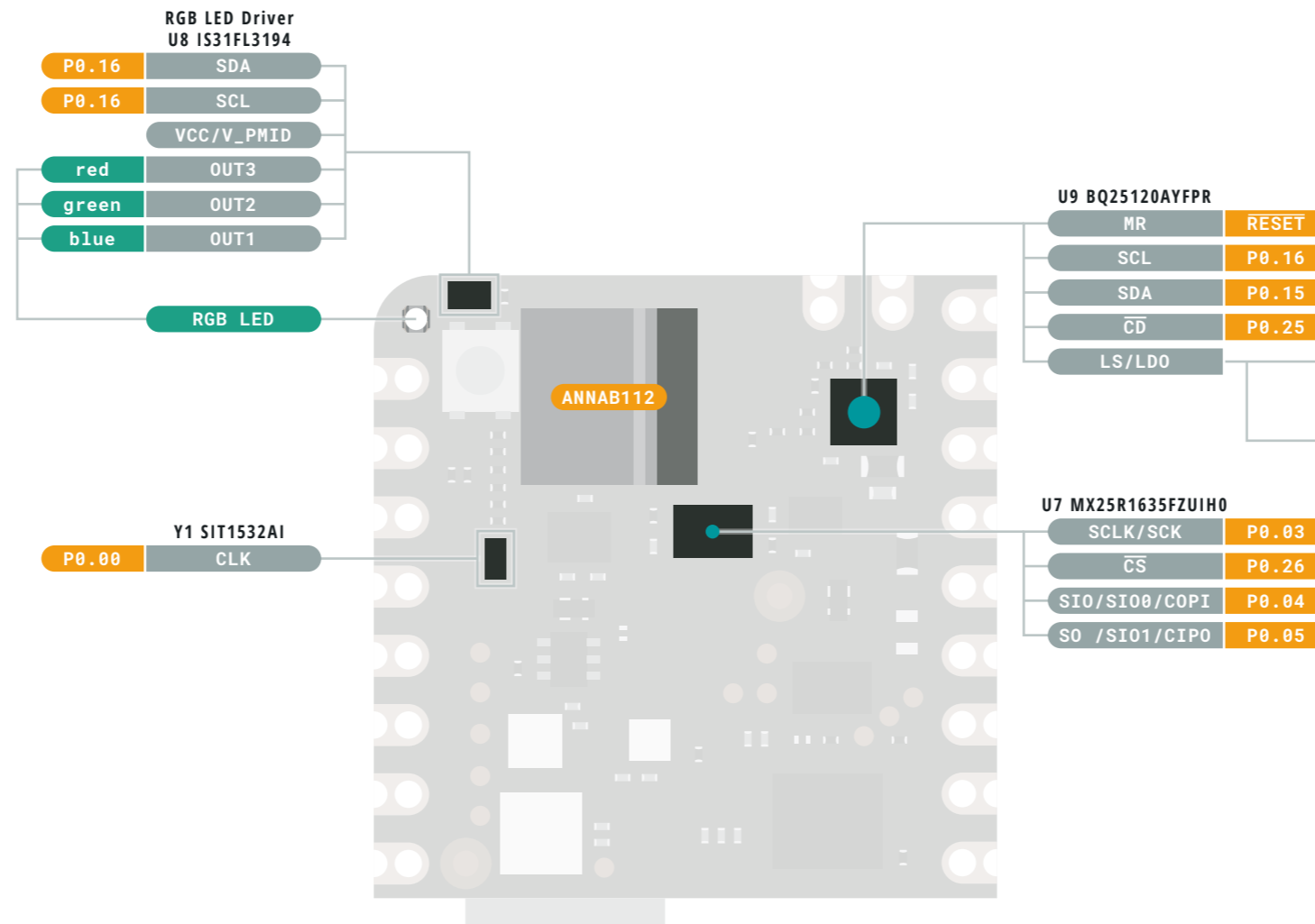


Ground	Digital Pin	Analog
Power	Analog Pin	Communication
LED	Other Pin	Timer
Internal Pin	Microcontroller's Port	Interrupt
SWD Pin	Default	Sercom

- WARNING** Total output current sunk by sum of all I/Os and control pins is 40 mA
- WARNING** Total output current sourced by sum of all I/Os and control pins is 40 mA
- WARNING** Output current sunk by any I/O and control pin is 10 mA



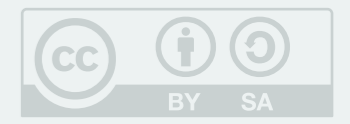


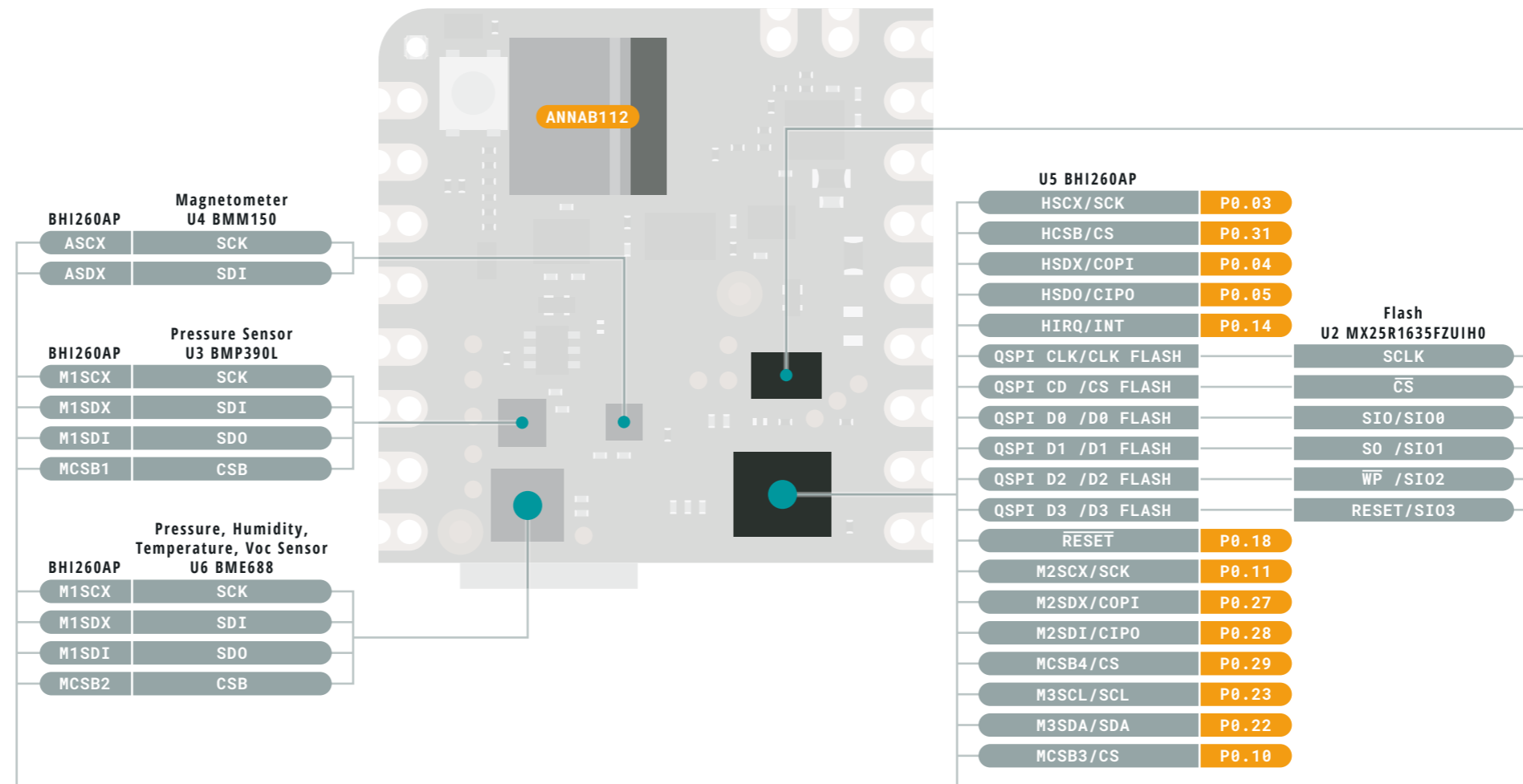
Disabling the LS/LDO pin it is possible to power the Nicla Sense ME using VDDIO\_EXT pin on the header

If LS/LDO pin is enabled, it is possible to configure the Nicla Sense ME to work at +3V3 or +1V8, depending on the configuration of the maximum input voltage

- Ground
- Power
- LED
- Internal Pin
- SWD Pin
- Digital Pin
- Analog Pin
- Other Pin
- Microcontroller's Port
- Default

- ⚠ **WARNING** Total output current sunk by sum of all I/Os and control pins is 40 mA
- ⚠ **WARNING** Total output current sourced by sum of all I/Os and control pins is 40 mA
- ⚠ **WARNING** Output current sunk by any I/O and control pin is 10 mA

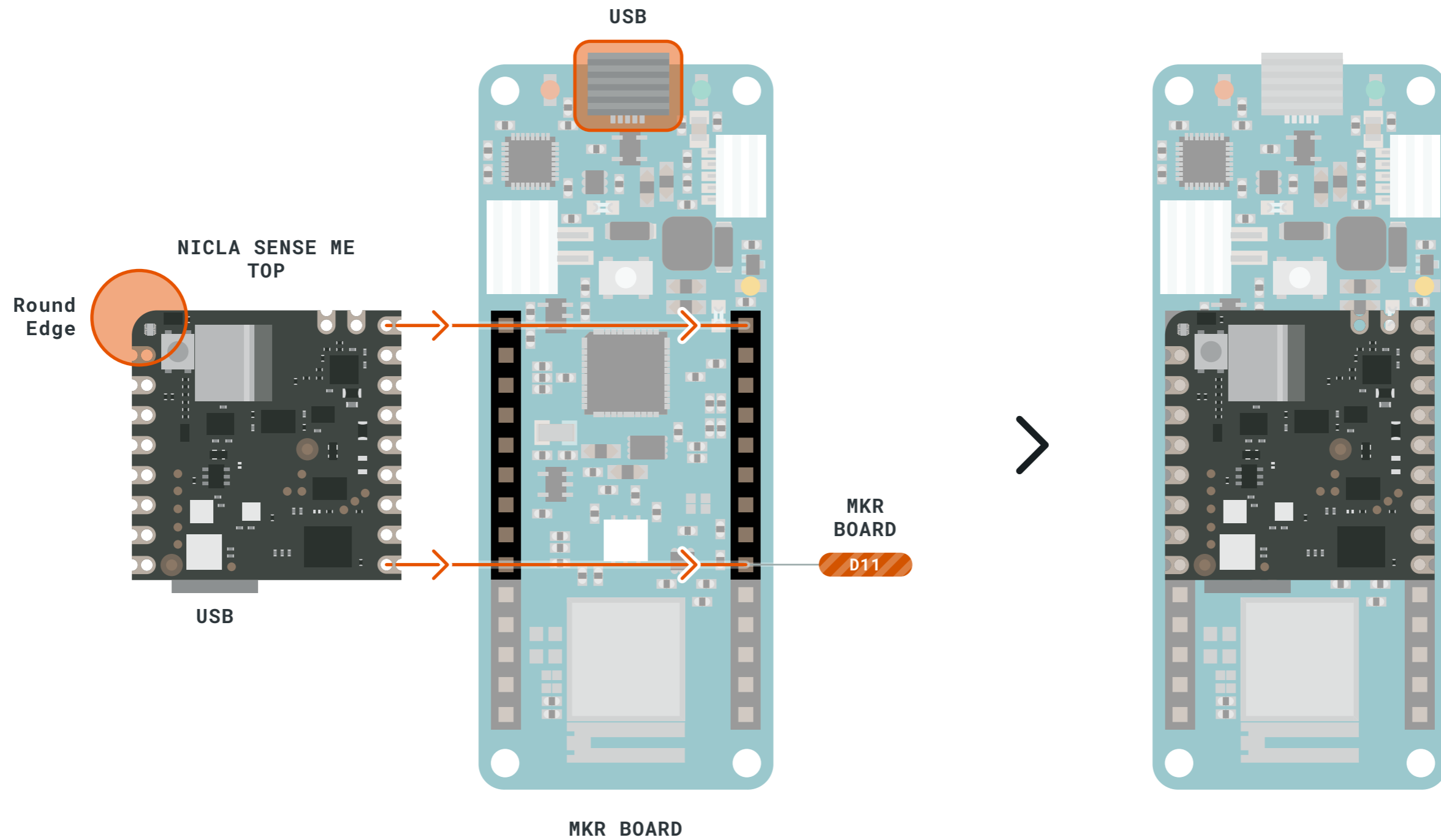




- Ground
- Power
- LED
- Internal Pin
- SWD Pin
- Digital Pin
- Analog Pin
- Other Pin
- Microcontroller's Port
- Default

- ⚠ **WARNING** Total output current sunk by sum of all I/Os and control pins is 40 mA
- ⚠ **WARNING** Total output current sourced by sum of all I/Os and control pins is 40 mA
- ⚠ **WARNING** Output current sunk by any I/O and control pin is 10 mA



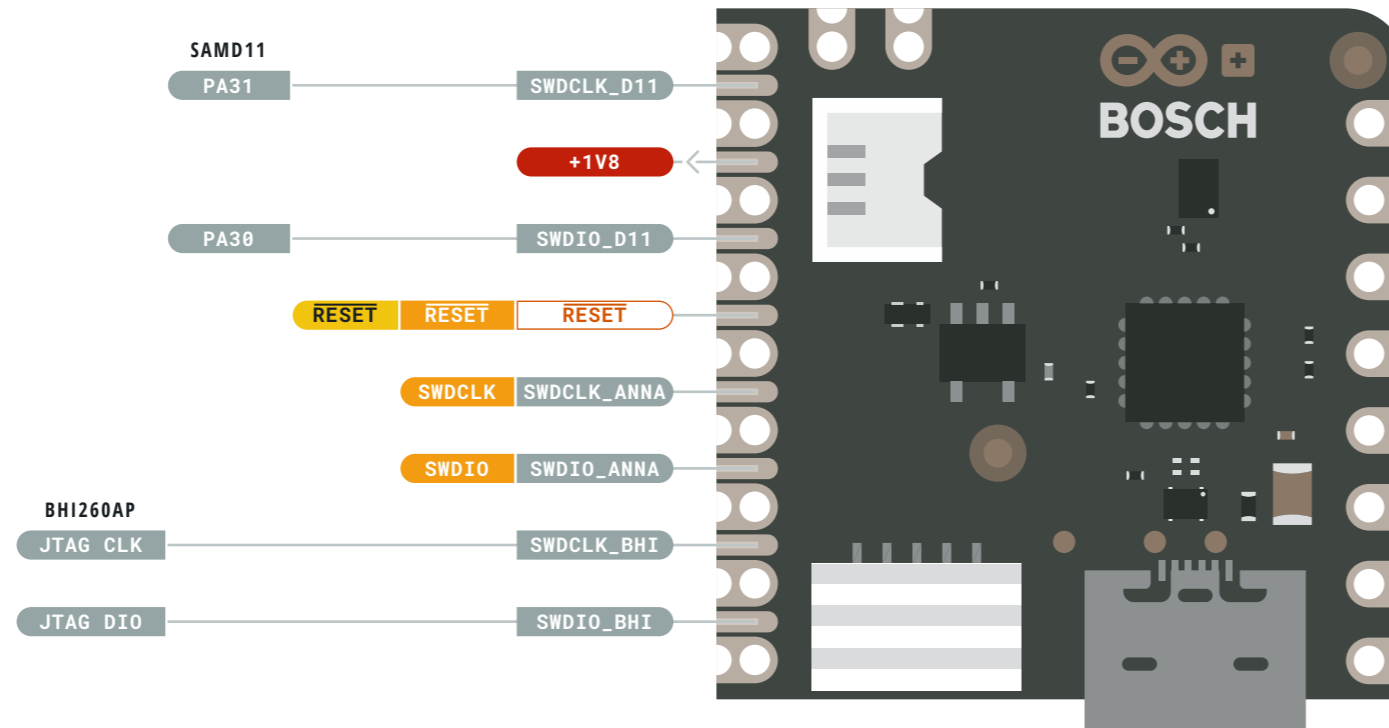


- Ground
- Power
- LED
- Internal Pin
- SWD Pin
- Digital Pin
- Analog Pin
- Other Pin
- Microcontroller's Port
- Default

- ⚠ **WARNING** Total output current sunk by sum of all I/Os and control pins is 40 mA
- ⚠ **WARNING** Total output current sourced by sum of all I/Os and control pins is 40 mA
- ⚠ **WARNING** Output current sunk by any I/O and control pin is 10 mA



BOTTOM

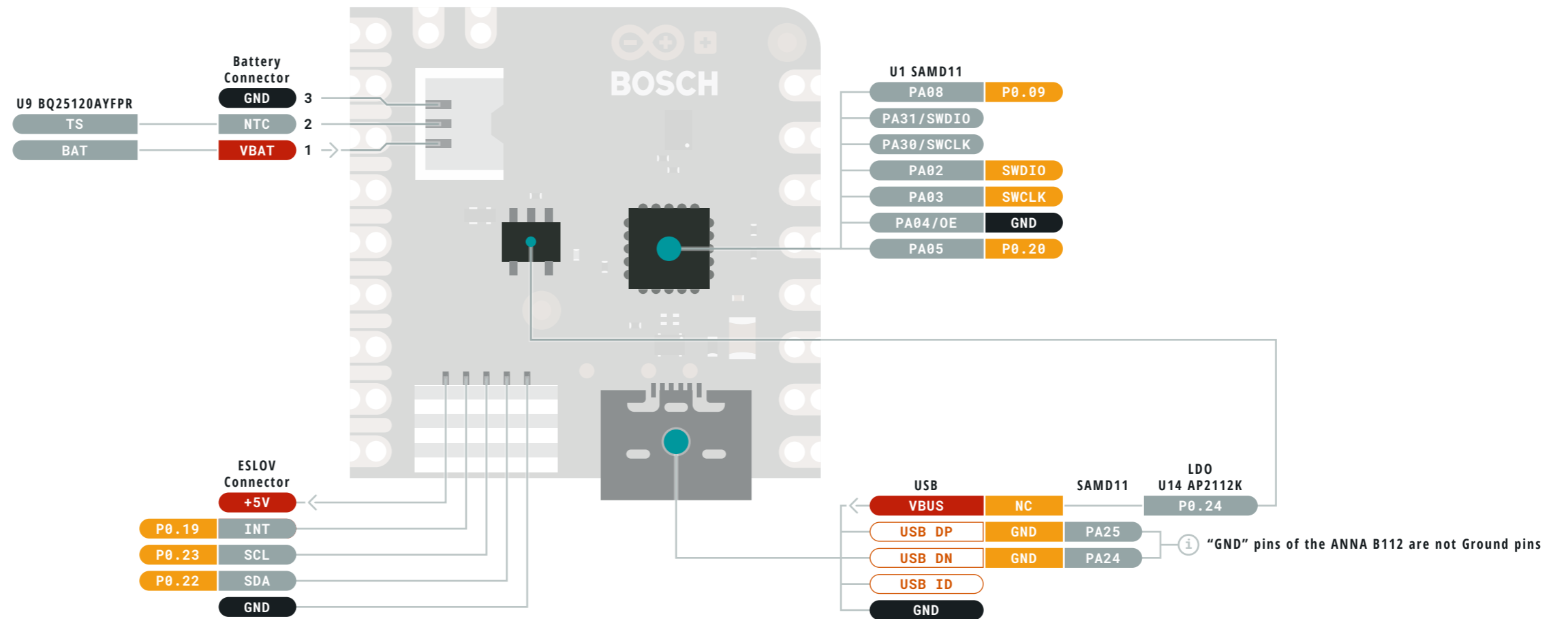


- Ground
- Power
- LED
- Internal Pin
- SWD Pin
- Digital Pin
- Analog Pin
- Other Pin
- Microcontroller's Port
- Default

- ⚠ **WARNING** Total output current sunk by sum of all I/Os and control pins is 40 mA
- ⚠ **WARNING** Total output current sourced by sum of all I/Os and control pins is 40 mA
- ⚠ **WARNING** Output current sunk by any I/O and control pin is 10 mA



BOTTOM

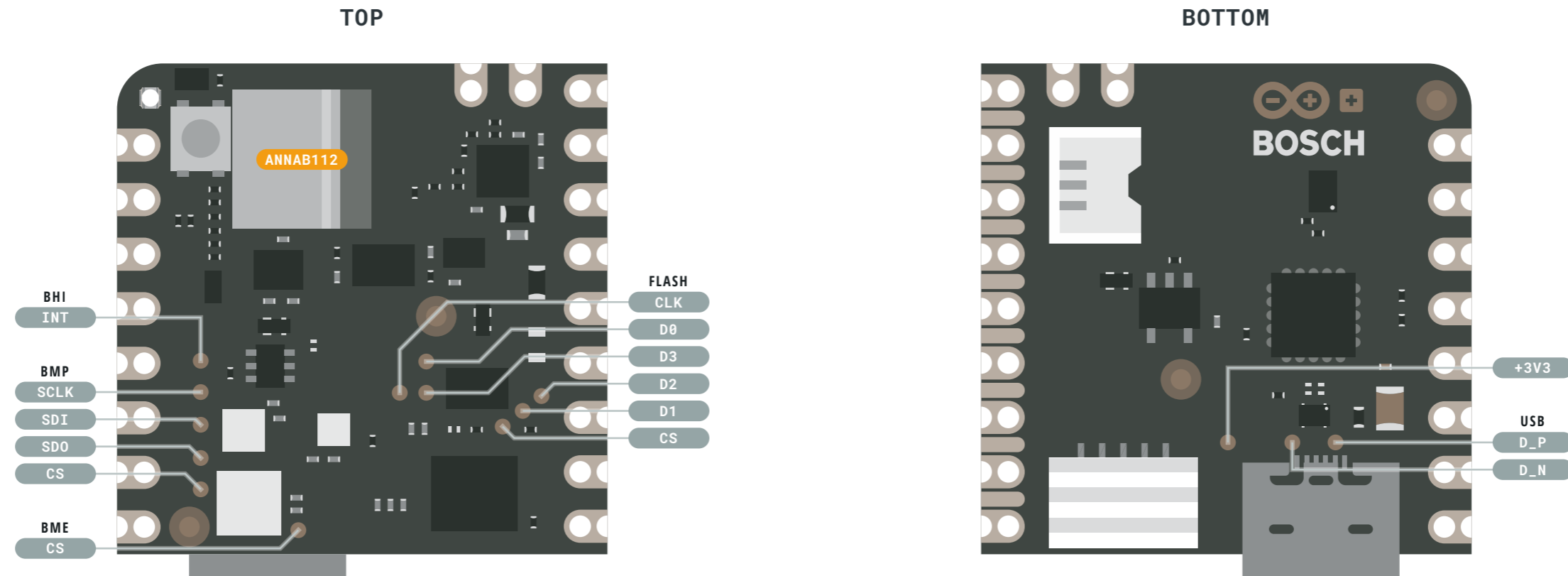


- Ground
- Power
- LED
- Internal Pin
- SWD Pin
- Digital Pin
- Analog Pin
- Other Pin
- Microcontroller's Port
- Default

- ⚠ **WARNING** Total output current sunk by sum of all I/Os and control pins is 40 mA
- ⚠ **WARNING** Total output current sourced by sum of all I/Os and control pins is 40 mA
- ⚠ **WARNING** Output current sunk by any I/O and control pin is 10 mA



# Test Points



- Ground
- Power
- LED
- Internal Pin
- SWD Pin
- Digital Pin
- Analog Pin
- Other Pin
- Microcontroller's Port
- Default

- WARNING** Total output current sunk by sum of all I/Os and control pins is 40 mA
- WARNING** Total output current sourced by sum of all I/Os and control pins is 40 mA
- WARNING** Output current sunk by any I/O and control pin is 10 mA

