

**Legend:**

- Power**
  - IN** Power Input
  - OUT** Power Output
  - Ground**
- GPIO Digital External**
- Analog External**
- Main Part**
- Secondary Part**
- Internal Component**
- Other Pins (Reset, System Control, Debugging)**
- I2C**
- SPI**
- UART/USART**
- Other SERIAL Communication**
- Analog**
- PWM/Timer**
- Default**
- Default**
- Default**
- Default**
- LED**
- RGB LED**
- Other**

- MAXIMUM** current per pin 8mA
- MAXIMUM** current overall 60mA
- i** CIP0/COPI have previously been referred to as MISO/MOSI



SKU code: ABX00080  
Full Pinout - Page 2 of 4  
Last update: 16 Jun, 2023

**DOCS . ARDUINO . CC**

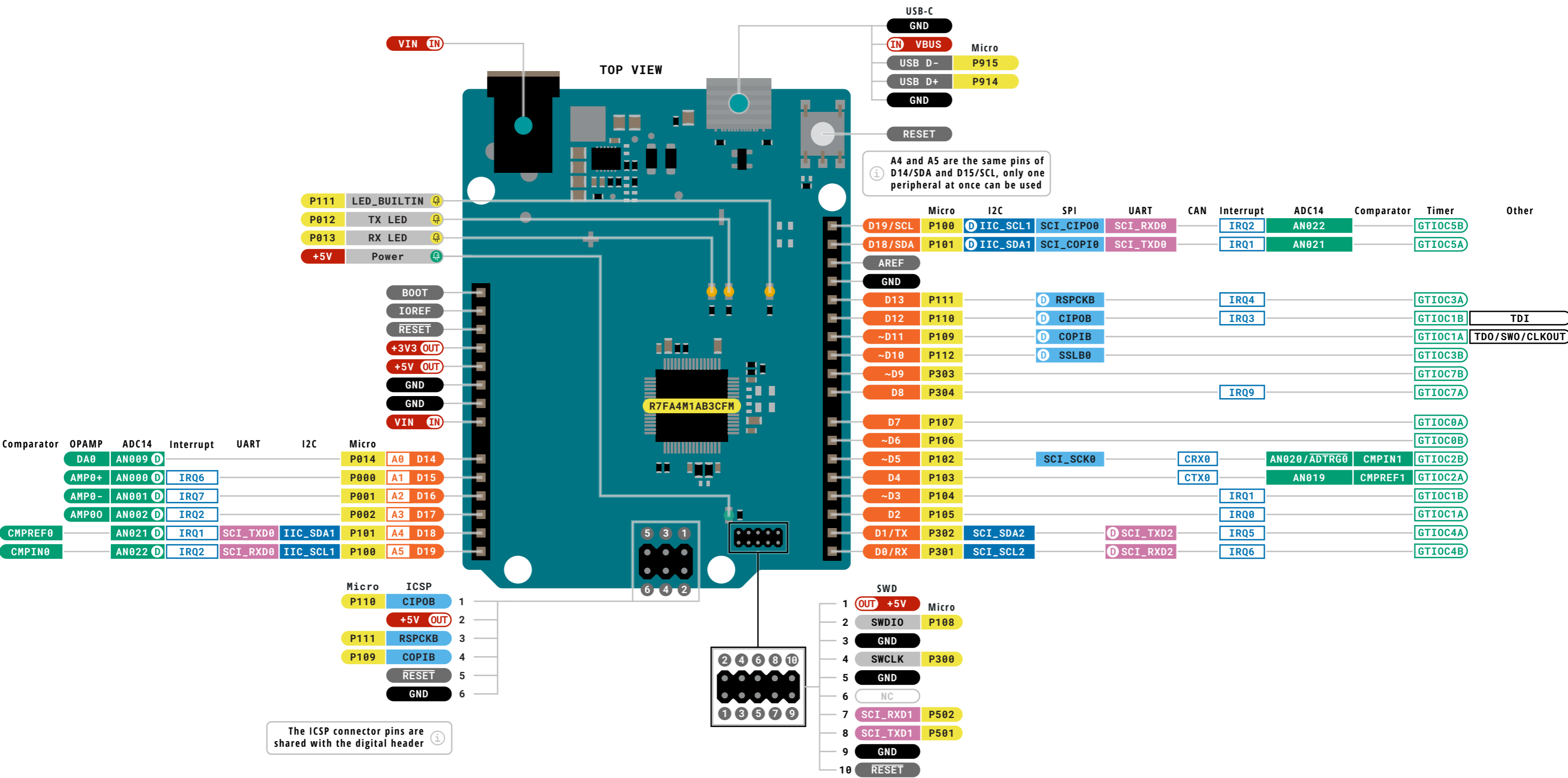
This work is licensed under the Creative Commons Attribution-ShareAlike 4.0 International License. To view a copy of this license, visit <http://creativecommons.org/licenses/by-sa/4.0/> or send a letter to Creative Commons, PO Box 1866, Mountain View, CA 94042, USA.

WARNING!

## Advanced Section

The following information is for advanced use only and may not be officially supported by Arduino software





**Legend:**

- Power
- Ground
- IN Power Input
- OUT Power Output

- GPIO Digital External
- Analog External
- Main Part
- Secondary Part
- Internal Component
- Other Pins (Reset, System Control, Debugging)

- I2C
- SPI
- UART/USART
- Other SERIAL Communication
- Analog
- PWM/Timer
- D Default
- D Default
- D Default
- D Default

- LED
- RGB LED
- Other

- ⚠ MAXIMUM current per pin 8mA
- ⚠ MAXIMUM current overall 60mA
- i CIP0/COPI have previously been referred to as MISO/MOSI



SKU code: ABX00880  
Full Pinout - Page 4 of 4  
Last update: 16 Jun, 2023

DOCS . ARDUINO . CC

This work is licensed under the Creative Commons Attribution-ShareAlike 4.0 International License. To view a copy of this license, visit <http://creativecommons.org/licenses/by-sa/4.0/> or send a letter to Creative Commons, PO Box 1866, Mountain View, CA 94042, USA.