

A

B

C

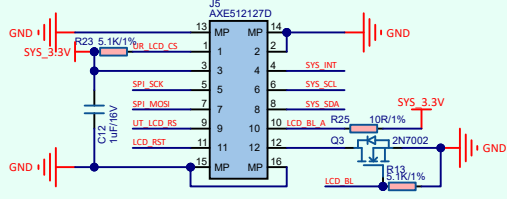
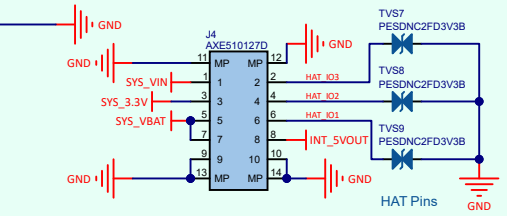
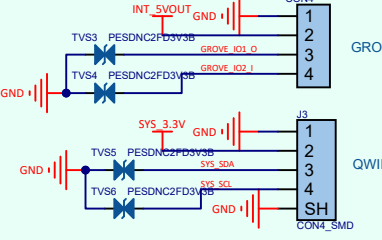
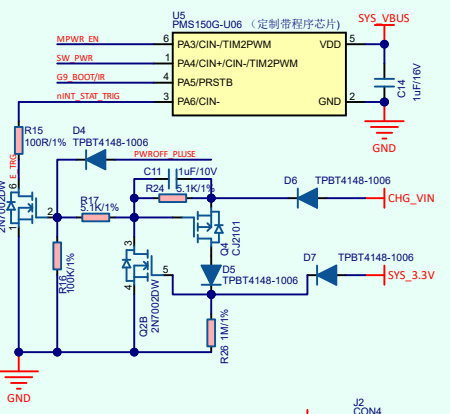
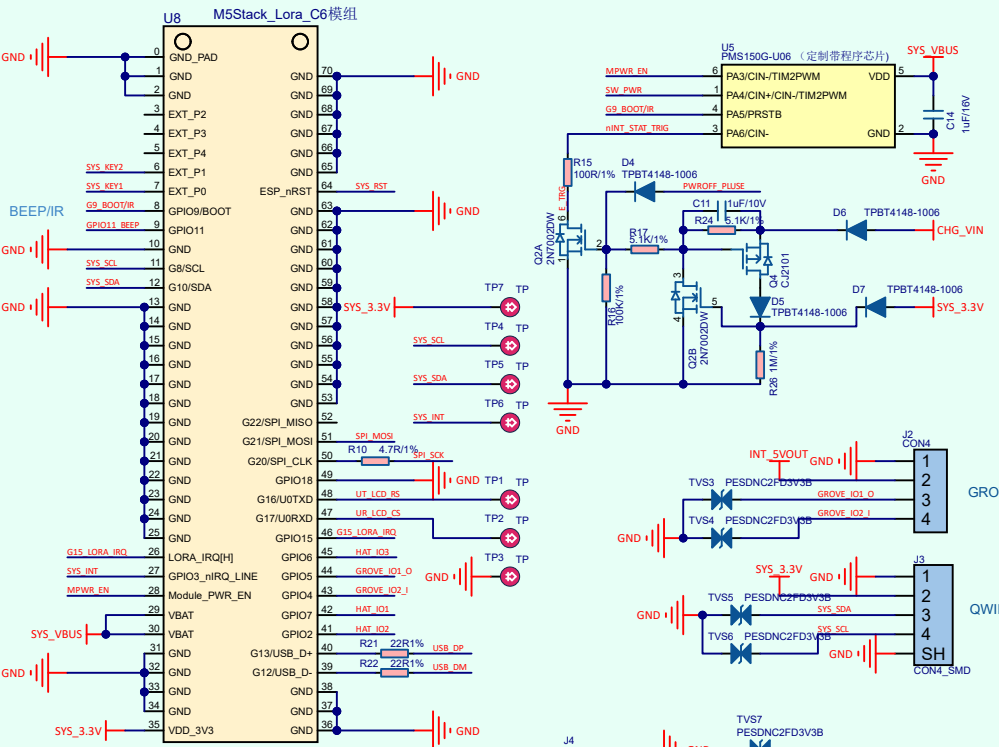
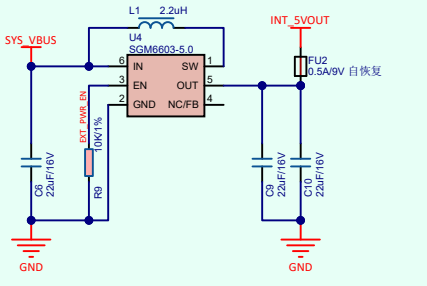
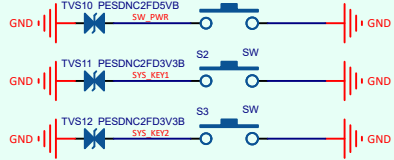
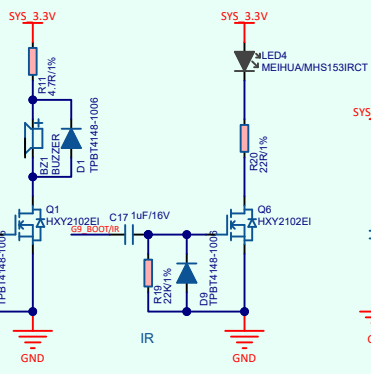
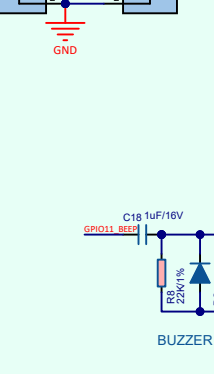
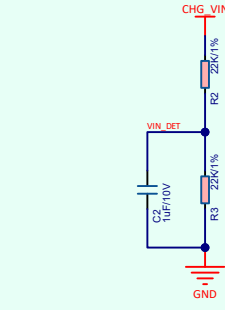
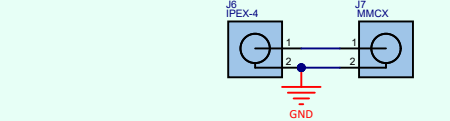
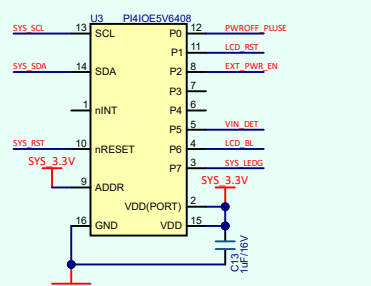
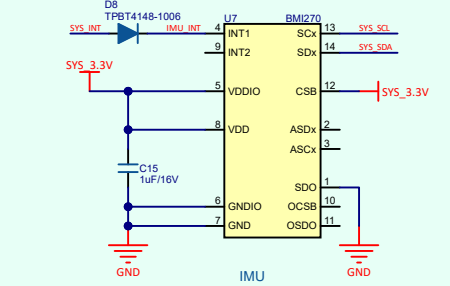
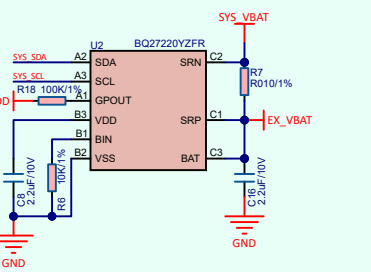
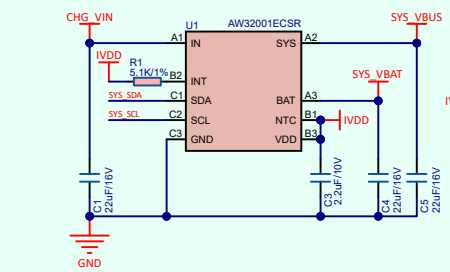
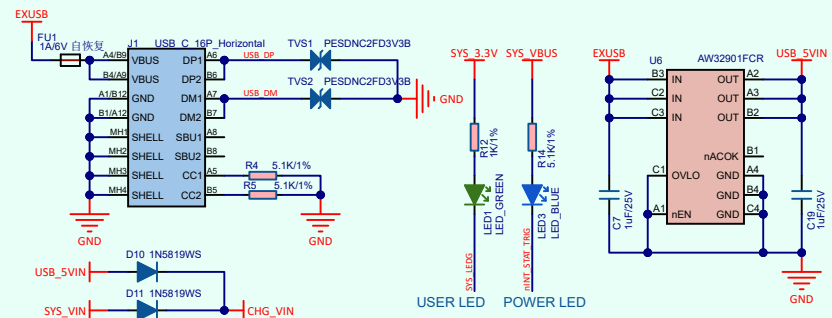
D

A

B

C

D



Title		
Size	Number	Revision
A4		
Date:	3/27/2025	Sheet of
File:	D:\M5\...schematic.SchDoc	Drawn By: