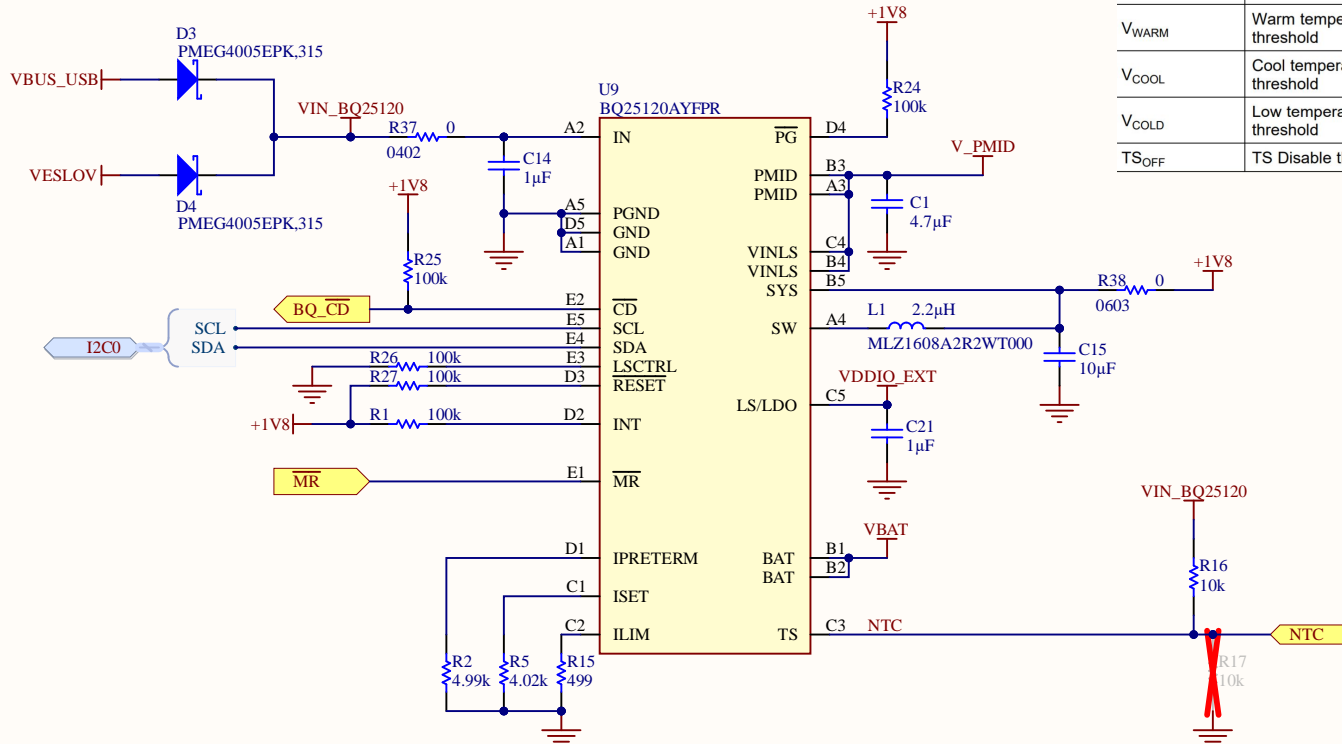


Reference Designs ARE PROVIDED "AS IS" AND "WITH ALL FAULTS". Arduino SA DISCLAIMS ALL OTHER WARRANTIES, EXPRESS OR IMPLIED, REGARDING PRODUCTS, INCLUDING BUT NOT LIMITED TO, ANY IMPLIED WARRANTIES OF MERCHANTABILITY OR FITNESS FOR A PARTICULAR PURPOSE. Arduino SA may make changes to specifications and product descriptions at any time, without notice. The Customer must not rely on the absence or characteristics of any features or instructions marked "reserved" or "undefined". Arduino SA reserves these for future definition and shall have no responsibility whatsoever for conflicts or incompatibilities arising from future changes to them. The product information on the Web Site or Materials is subject to change without notice. Do not finalize a design with this info. ARDUINO and other Arduino brands and logos and Trademarks of Arduino SA. All Arduino SA Trademarks cannot be used without owner's formal permission.

Title: TOP				
ID: ABX00061		Revision: V0.5		
Date: 11/11/2022	Time: 3:30:25 PM	Sheet 1 of 7		
File: TOP.SchDoc		Author: Silvio Navaretti	RevAuthor: Silvio Navaretti	



BATTERY-PACK NTC MONITOR			MIN	TYP	MAX	UNIT
V _{HOT}	High temperature threshold	V _{TS} falling, 1% V _{IN} Hysteresis	14.5	15	15.2	%V _{IN}
V _{WARM}	Warm temperature threshold	V _{TS} falling, 1% V _{IN} Hysteresis	20.1	20.5	20.8	%V _{IN}
V _{COOL}	Cool temperature threshold	V _{TS} rising, 1% V _{IN} Hysteresis	35.4	36	36.4	%V _{IN}
V _{COLD}	Low temperature threshold	V _{TS} rising, 1% V _{IN} Hysteresis	39.3	39.8	40.2	%V _{IN}
TS _{OFF}	TS Disable threshold	V _{TS} rising, 2% V _{IN} Hysteresis	55		60	%V _{IN}

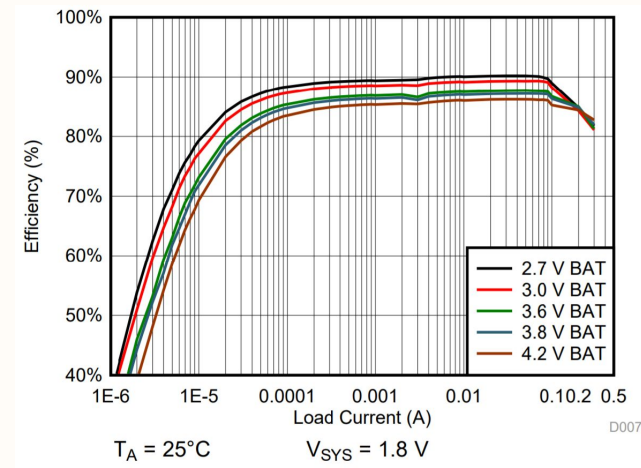


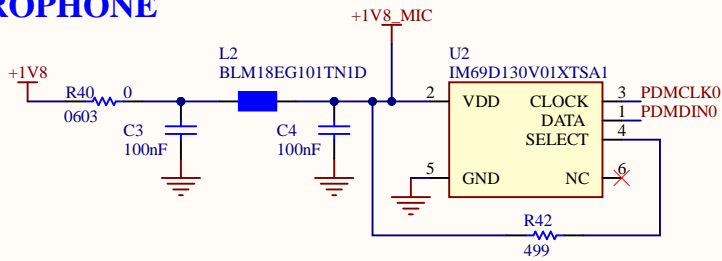


Figure 48. 1.8 V_{sys} System Efficiency

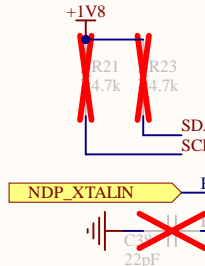
Reference Designs ARE PROVIDED "AS IS" AND "WITH ALL FAULTS. Arduino SA DISCLAIMS ALL OTHER WARRANTIES, EXPRESS OR IMPLIED, REGARDING PRODUCTS, INCLUDING BUT NOT LIMITED TO, ANY IMPLIED WARRANTIES OF MERCHANTABILITY OR FITNESS FOR A PARTICULAR PURPOSE. Arduino SA may make changes to specifications and product descriptions at any time, without notice. The Customer must not rely on the absence or characteristics of any features or instructions marked "reserved" or "undefined". Arduino SA reserves these for future definition and shall have no responsibility whatsoever for conflicts or incompatibilities arising from future changes to them. The product information on the Web Site or Materials is subject to change without notice. Do not finalize a design with this info. ARDUINO and other Arduino brands and logos and Trademarks of Arduino SA. All Arduino SA Trademarks cannot be used without owner's formal permission.

Title: POWER		 	
ID: ABX00061	Revision: V0.5		
Date: 11/11/2022	Time: 3:30:34 PM	Sheet 3 of 7	
File: Power_bq.SchDoc	Author: Silvio Navaretti	RevAuthor: Silvio Navaretti	

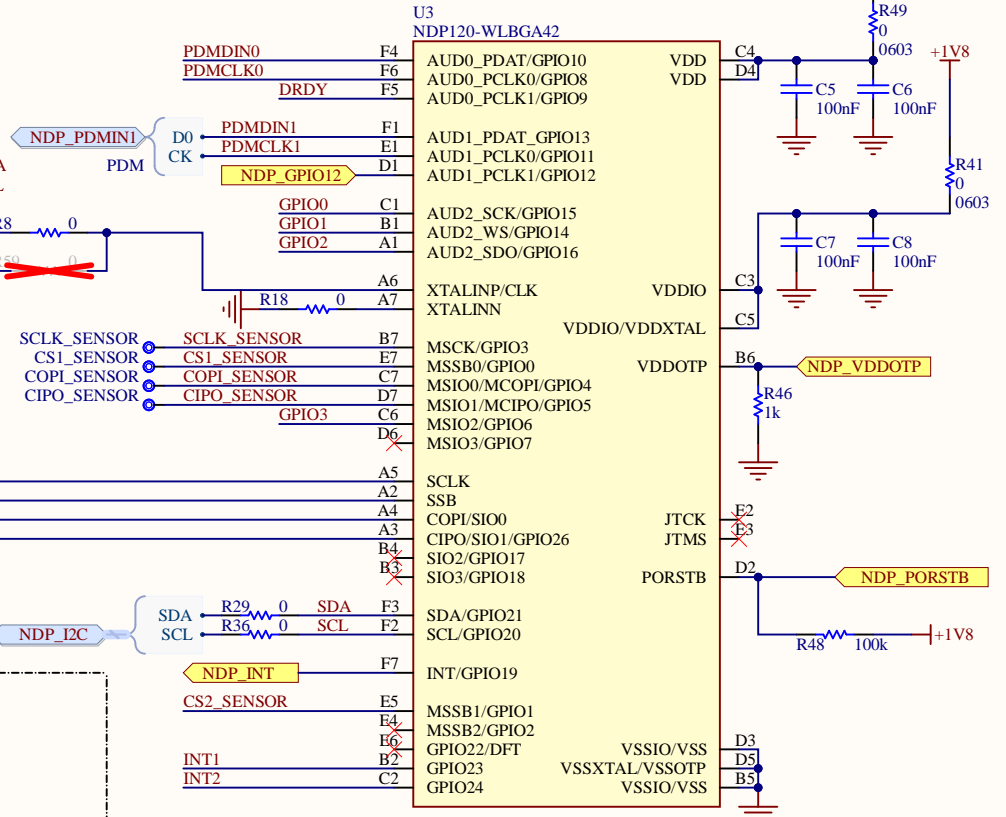
MICROPHONE



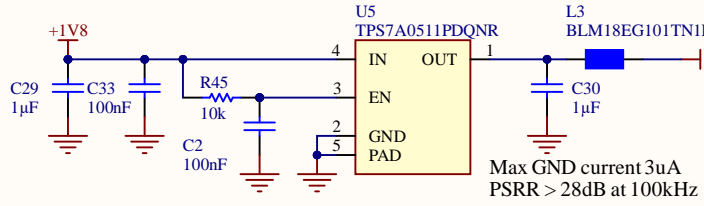
I2C PULLUPS



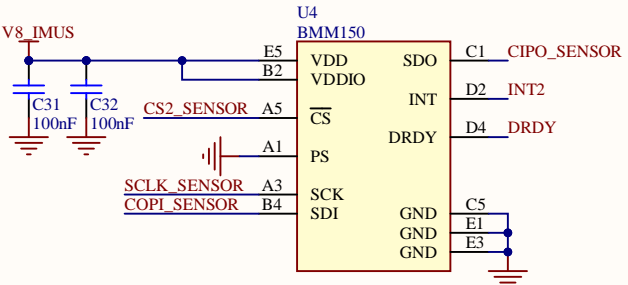
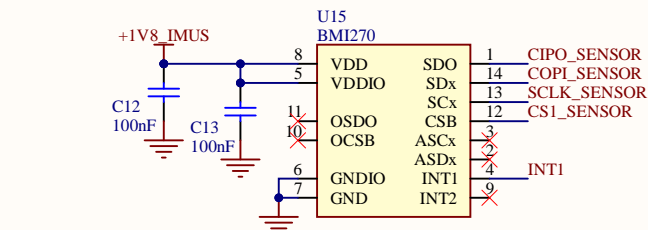
SYNTIANT AI SENSOR



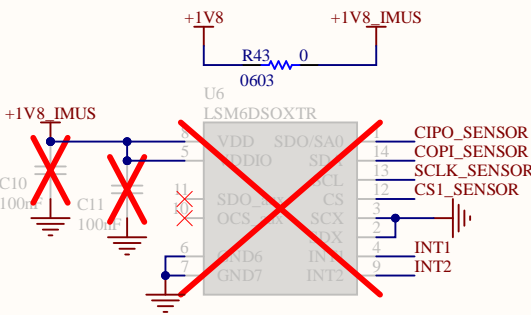
LOW IQ HIGH PSRR LDO DEDICATED TO NDP120



BOSCH 6 AXIS + 3 AXIS MOUNTING VARIANT



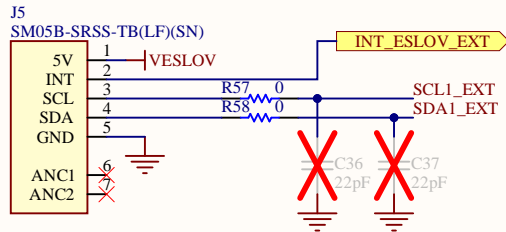
ST 6 AXIS MOUNTING VARIANT



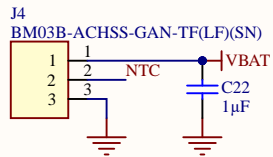
Reference Designs ARE PROVIDED "AS IS" AND "WITH ALL FAULTS". Arduino SA DISCLAIMS ALL OTHER WARRANTIES, EXPRESS OR IMPLIED, REGARDING PRODUCTS, INCLUDING BUT NOT LIMITED TO, ANY IMPLIED WARRANTIES OF MERCHANTABILITY OR FITNESS FOR A PARTICULAR PURPOSE. Arduino SA may make changes to specifications and product descriptions at any time, without notice. The Customer must not rely on the absence or characteristics of any features or instructions marked "reserved" or "undefined". Arduino SA reserves these for future definition and shall have no responsibility whatsoever for conflicts or incompatibilities arising from future changes to them. The product information on the Web Site or Materials is subject to change without notice. Do not finalize a design with this info. ARDUINO and other Arduino brands and logos and Trademarks of Arduino SA. All Arduino SA Trademarks cannot be used without owner's formal permission.

Title: SYNTIANT					
ID: ABX00061		Revision: V0.5			
Date: 11/11/2022 Time: 3:30:39 PM		Sheet 4 of 7			
File: Syntiant.SchDoc		Author: Silvio Navaretti		RevAuthor: Silvio Navaretti	

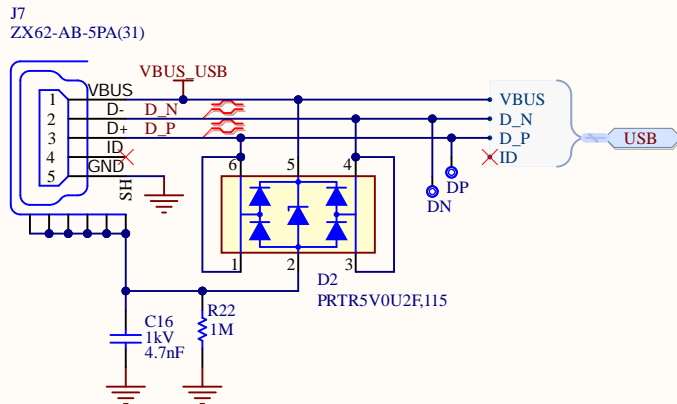
ESLOV CONNECTOR



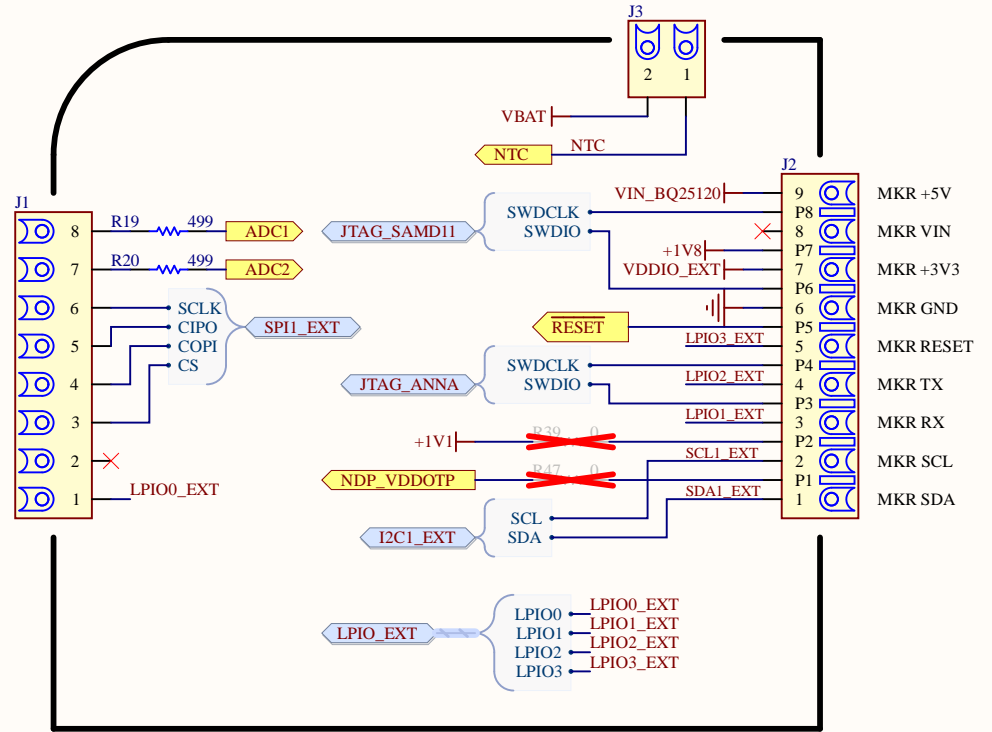
BATTERY CONNECTOR



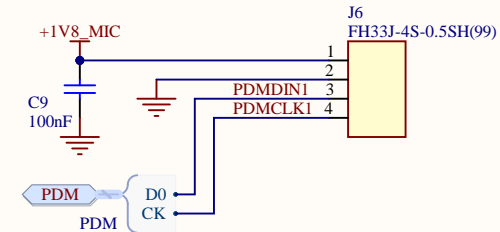
USB CONNECTOR



MKR AREF
MKR A0
MKR A1
MKR A2
MKR A3
MKR A4
MKR A5
MKR A6



SYNTYANT EXTERNAL MICROPHONE CONNECTOR



Reference Designs ARE PROVIDED "AS IS" AND "WITH ALL FAULTS". Arduino SA DISCLAIMS ALL OTHER WARRANTIES, EXPRESS OR IMPLIED, REGARDING PRODUCTS, INCLUDING BUT NOT LIMITED TO, ANY IMPLIED WARRANTIES OF MERCHANTABILITY OR FITNESS FOR A PARTICULAR PURPOSE.
 Arduino SA may make changes to specifications and product descriptions at any time, without notice. The Customer must not rely on the absence or characteristics of any features or instructions marked "reserved" or "undefined". Arduino SA reserves these for future definition and shall have no responsibility whatsoever for conflicts or incompatibilities arising from future changes to them. The product information on the Web Site or Materials is subject to change without notice.
 Do not finalize a design with this info. ARDUINO and other Arduino brands and logos and Trademarks of Arduino SA. All Arduino SA Trademarks cannot be used without owner's formal permission.

Title: **CONNECTORS**

ID: **ABX00061**

Date: 11/11/2022 Time: 3:30:43 PM

File: Connectors.SchDoc

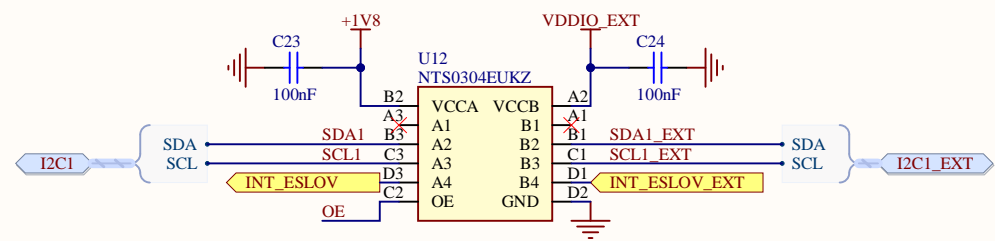
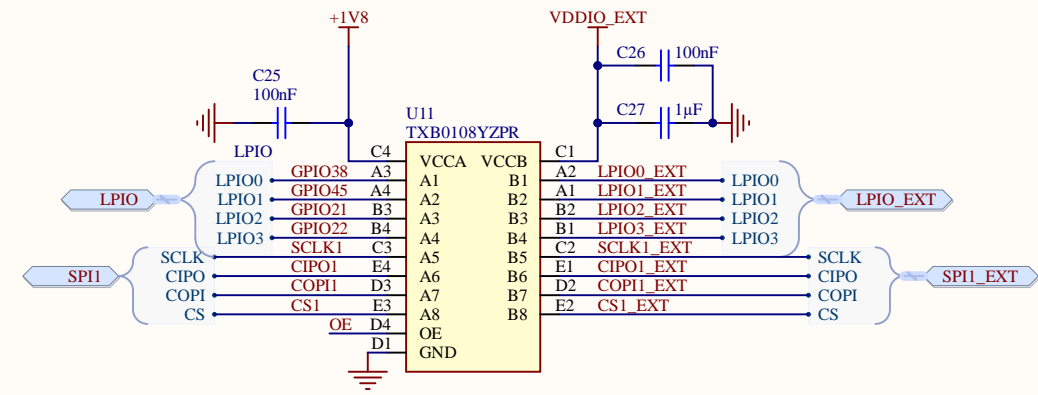
Revision: **V0.5**

Sheet 5 of 7

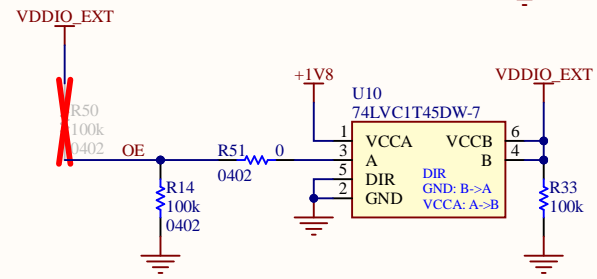
Author: **Silvio Navaretti**





RevAuthor: **Silvio Navaretti**

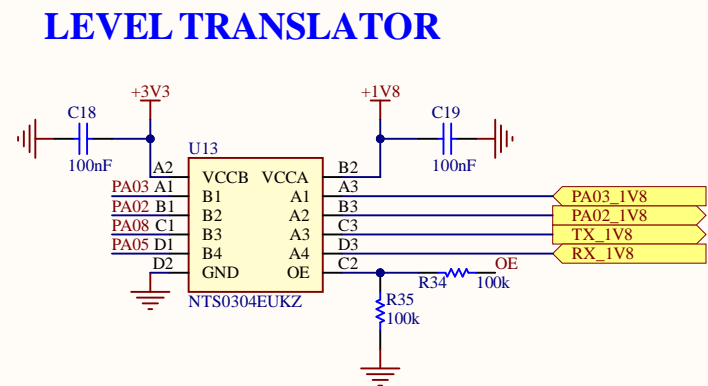
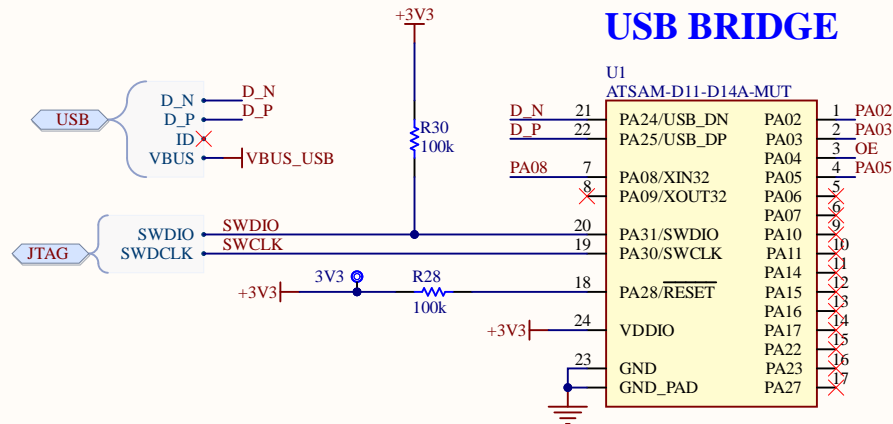


U10 traslator used to reference U11 and U12 OE pins to VCCA.

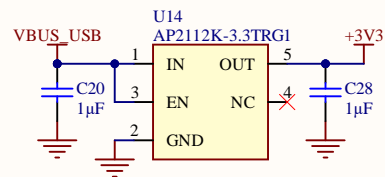


Reference Designs ARE PROVIDED "AS IS" AND "WITH ALL FAULTS". Arduino SA DISCLAIMS ALL OTHER WARRANTIES, EXPRESS OR IMPLIED, REGARDING PRODUCTS, INCLUDING BUT NOT LIMITED TO, ANY IMPLIED WARRANTIES OF MERCHANTABILITY OR FITNESS FOR A PARTICULAR PURPOSE. Arduino SA may make changes to specifications and product descriptions at any time, without notice. The Customer must not rely on the absence or characteristics of any features or instructions marked "reserved" or "undefined". Arduino SA reserves these for future definition and shall have no responsibility whatsoever for conflicts or incompatibilities arising from future changes to them. The product information on the Web Site or Materials is subject to change without notice. Do not finalize a design with this info. ARDUINO and other Arduino brands and logos and Trademarks of Arduino SA. All Arduino SA Trademarks cannot be used without owner's formal permission.

Title: LEVEL SHIFTERS		 	
ID: ABX00061	Revision: V0.5		
Date: 11/11/2022	Time: 3:30:48 PM	Sheet 6 of 7	
File: LevelShifters.SchDoc	Author: Silvio Navaretti	RevAuthor: Silvio Navaretti	



LDO 3V3 DEDICATED TO USB BRIDGE



Reference Designs ARE PROVIDED "AS IS" AND "WITH ALL FAULTS". Arduino SA DISCLAIMS ALL OTHER WARRANTIES, EXPRESS OR IMPLIED, REGARDING PRODUCTS, INCLUDING BUT NOT LIMITED TO, ANY IMPLIED WARRANTIES OF MERCHANTABILITY OR FITNESS FOR A PARTICULAR PURPOSE.
 Arduino SA may make changes to specifications and product descriptions at any time, without notice. The Customer must not rely on the absence or characteristics of any features or instructions marked "reserved" or "undefined". Arduino SA reserves these for future definition and shall have no responsibility whatsoever for conflicts or incompatibilities arising from future changes to them. The product information on the Web Site or Materials is subject to change without notice.
 Do not finalize a design with this info. ARDUINO and other Arduino brands and logos and Trademarks of Arduino SA. All Arduino SA Trademarks cannot be used without owner's formal permission.

Title: USB BRIDGE		 	
ID: ABX00061	Revision: V0.5		
Date: 11/11/2022	Time: 3:30:53 PM	Sheet 7 of 7	
File: SAMD11 USB Bridge.SchDoc		Author: Silvio Navaretti	RevAuthor: Silvio Navaretti