

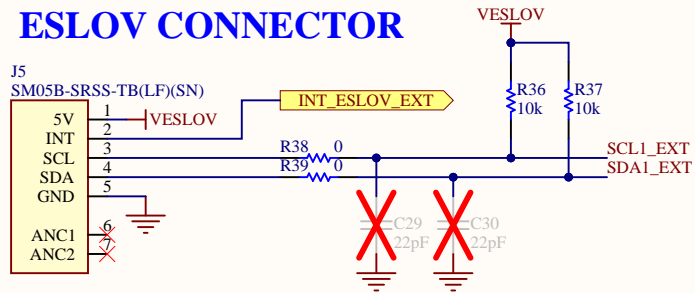


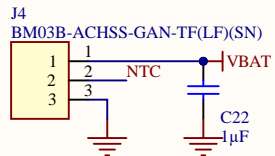
Reference Designs ARE PROVIDED "AS IS" AND "WITH ALL FAULTS. Arduino SA DISCLAIMS ALL OTHER WARRANTIES, EXPRESS OR IMPLIED, REGARDING PRODUCTS, INCLUDING BUT NOT LIMITED TO, ANY IMPLIED WARRANTIES OF MERCHANTABILITY OR FITNESS FOR A PARTICULAR PURPOSE. Arduino SA may make changes to specifications and product descriptions at any time, without notice. The Customer must not rely on the absence or characteristics of any features or instructions marked "reserved" or "undefined". Arduino SA reserves these for future definition and shall have no responsibility whatsoever for conflicts or incompatibilities arising from future changes to them. The product information on the Web Site or Materials is subject to change without notice. Do not finalize a design with this info. ARDUINO and other Arduino brands and logos and Trademarks of Arduino SA. All Arduino SA Trademarks cannot be used without owner's formal permission.

| | | | | |
|---------------------|----------------|---|--|---|
| Title: TOP | |  | |  |
| ID: ABX00050 | | Revision: V1.0 | | |
| Date: 2022-11-25 | Time: 17:34:42 | Sheet 1 of 7 | | |
| File: TOP.SchDoc | | Author: Francesca Cenna | | RevAuthor: Silvio Navaretti |

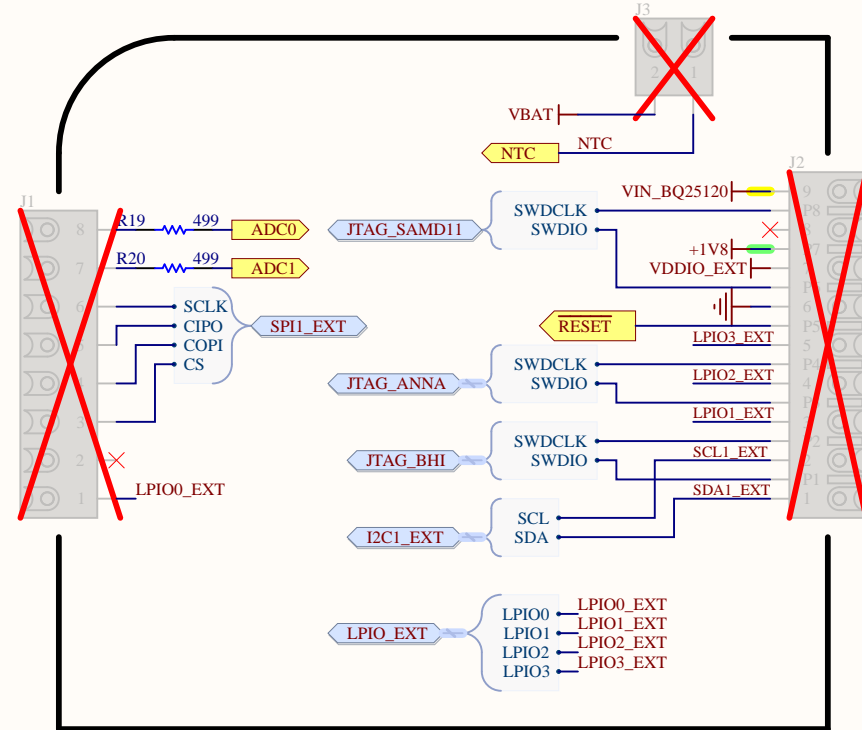
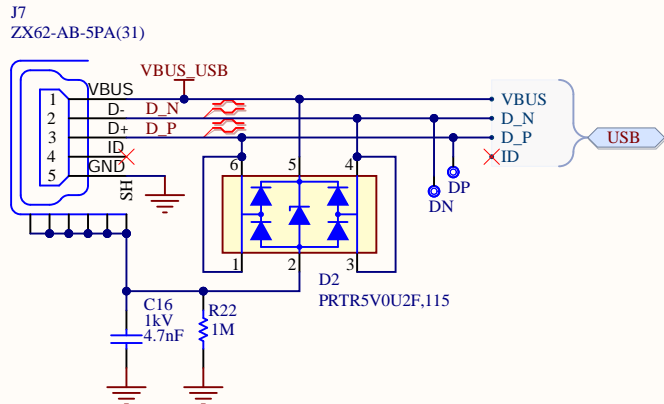
ESLOV CONNECTOR



BATTERY CONNECTOR



USB CONNECTOR



Reference Designs ARE PROVIDED "AS IS" AND "WITH ALL FAULTS". Arduino SA DISCLAIMS ALL OTHER WARRANTIES, EXPRESS OR IMPLIED, REGARDING PRODUCTS, INCLUDING BUT NOT LIMITED TO, ANY IMPLIED WARRANTIES OF MERCHANTABILITY OR FITNESS FOR A PARTICULAR PURPOSE. Arduino SA may make changes to specifications and product descriptions at any time, without notice. The Customer must not rely on the absence or characteristics of any features or instructions marked "reserved" or "undefined". Arduino SA reserves these for future definition and shall have no responsibility whatsoever for conflicts or incompatibilities arising from future changes to them. The product information on the Web Site or Materials is subject to change without notice. Do not finalize a design with this info. ARDUINO and other Arduino brands and logos and Trademarks of Arduino SA. All Arduino SA Trademarks cannot be used without owner's formal permission.

Title: **CONNECTORS**

ID: **ABX00050**

Date: 2022-11-25 Time: 17:34:45

File: Connectors.SchDoc

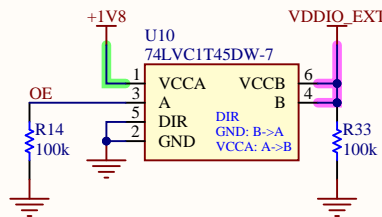
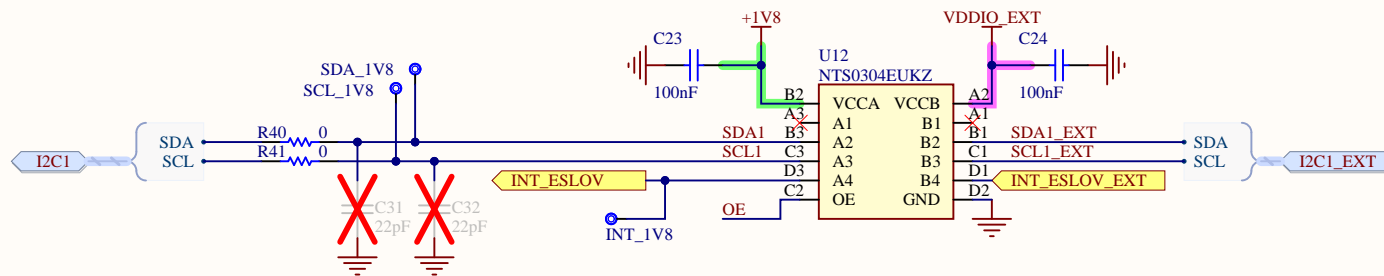
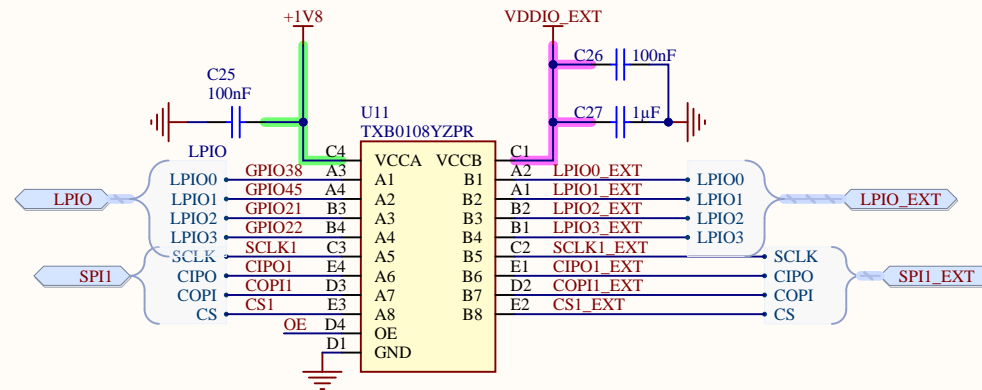
Revision: **V1.0**

Sheet 2 of 7

Author: **Francesca Cenna**



RevAuthor: **Silvio Navaretti**



Reference Designs ARE PROVIDED "AS IS" AND "WITH ALL FAULTS". Arduino SA DISCLAIMS ALL OTHER WARRANTIES, EXPRESS OR IMPLIED, REGARDING PRODUCTS, INCLUDING BUT NOT LIMITED TO, ANY IMPLIED WARRANTIES OF MERCHANTABILITY OR FITNESS FOR A PARTICULAR PURPOSE. Arduino SA may make changes to specifications and product descriptions at any time, without notice. The Customer must not rely on the absence or characteristics of any features or instructions marked "reserved" or "undefined". Arduino SA reserves these for future definition and shall have no responsibility whatsoever for conflicts or incompatibilities arising from future changes to them. The product information on the Web Site or Materials is subject to change without notice. Do not finalize a design with this info. ARDUINO and other Arduino brands and logos and Trademarks of Arduino SA. All Arduino SA Trademarks cannot be used without owner's formal permission.

Title: **LEVEL SHIFTERS**

ID: **ABX00050**

Revision: **V1.0**

Date: **2022-11-25** Time: **17:34:48**

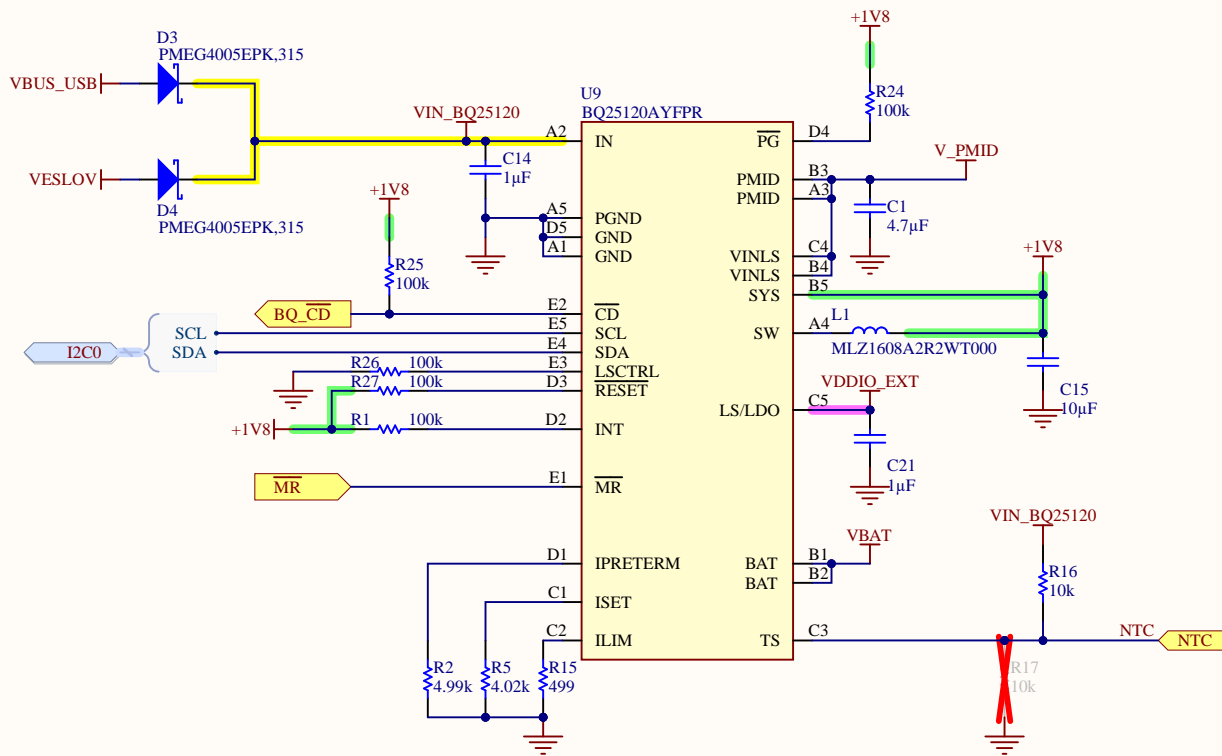
Sheet **3** of **7**

File: **LevelShifters.SchDoc**

Author: **Francesca Cenna**

RevAuthor: **Silvio Navaretti**





| BATTERY-PACK NTC MONITOR | | | MIN | TYP | MAX | UNIT |
|--------------------------|----------------------------|--|------|------|------|------------------|
| V _{HOT} | High temperature threshold | V _{TS} falling, 1% V _{IN} Hysteresis | 14.5 | 15 | 15.2 | %V _{IN} |
| V _{WARM} | Warm temperature threshold | V _{TS} falling, 1% V _{IN} Hysteresis | 20.1 | 20.5 | 20.8 | %V _{IN} |
| V _{COOL} | Cool temperature threshold | V _{TS} rising, 1% V _{IN} Hysteresis | 35.4 | 36 | 36.4 | %V _{IN} |
| V _{COLD} | Low temperature threshold | V _{TS} rising, 1% V _{IN} Hysteresis | 39.3 | 39.8 | 40.2 | %V _{IN} |
| TS _{OFF} | TS Disable threshold | V _{TS} rising, 2% V _{IN} Hysteresis | 55 | | 60 | %V _{IN} |

Reference Designs ARE PROVIDED "AS IS" AND "WITH ALL FAULTS. Arduino SA DISCLAIMS ALL OTHER WARRANTIES, EXPRESS OR IMPLIED, REGARDING PRODUCTS, INCLUDING BUT NOT LIMITED TO, ANY IMPLIED WARRANTIES OF MERCHANTABILITY OR FITNESS FOR A PARTICULAR PURPOSE. Arduino SA may make changes to specifications and product descriptions at any time, without notice. The Customer must not rely on the absence or characteristics of any features or instructions marked "reserved" or "undefined". Arduino SA reserves these for future definition and shall have no responsibility whatsoever for conflicts or incompatibilities arising from future changes to them. The product information on the Web Site or Materials is subject to change without notice. Do not finalize a design with this info. ARDUINO and other Arduino brands and logos and Trademarks of Arduino SA. All Arduino SA Trademarks cannot be used without owner's formal permission.

Title: **POWER**

ID: **ABX00050**

Date: 2022-11-25 Time: 17:34:50

File: Power_bq.SchDoc

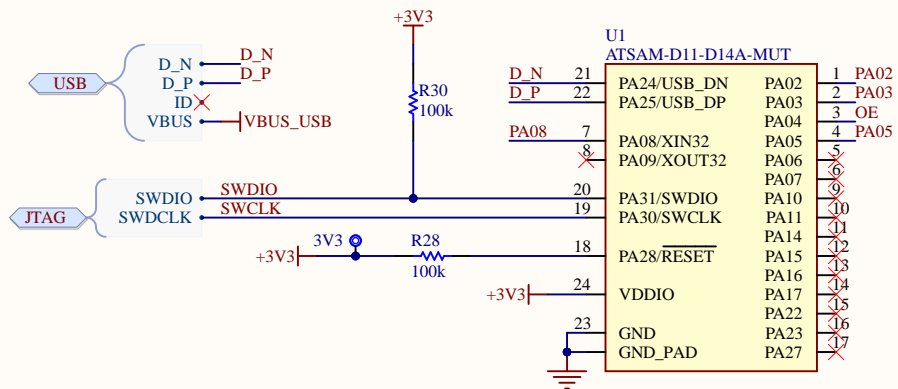
Revision: **V1.0**

Sheet 4 of 7

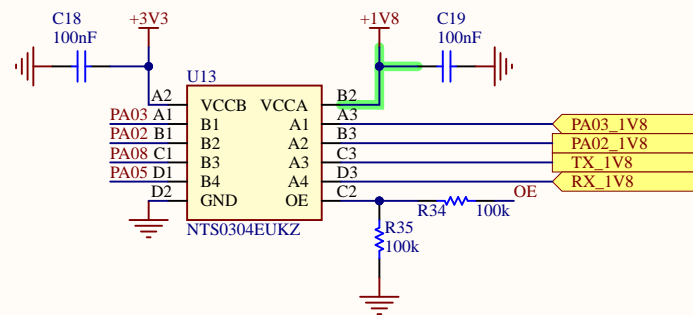
Author: **Francesca Cenna**



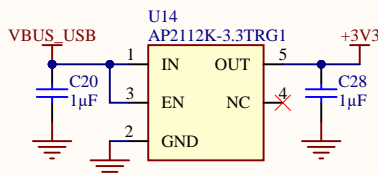
RevAuthor: **Silvio Navaretti**





LEVEL TRANSLATOR



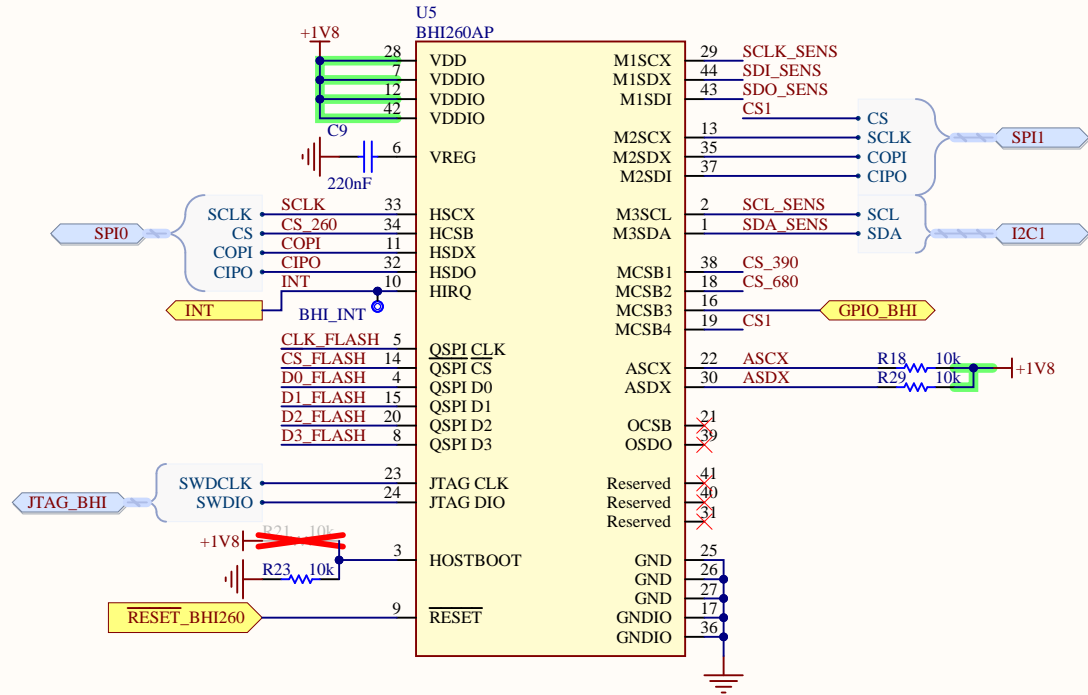
LDO 3V3



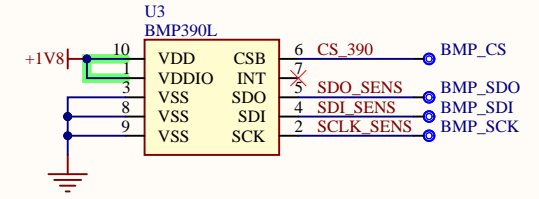
Reference Designs ARE PROVIDED "AS IS" AND "WITH ALL FAULTS. Arduino SA DISCLAIMS ALL OTHER WARRANTIES, EXPRESS OR IMPLIED, REGARDING PRODUCTS, INCLUDING BUT NOT LIMITED TO, ANY IMPLIED WARRANTIES OF MERCHANTABILITY OR FITNESS FOR A PARTICULAR PURPOSE. Arduino SA may make changes to specifications and product descriptions at any time, without notice. The Customer must not rely on the absence or characteristics of any features or instructions marked "reserved" or "undefined". Arduino SA reserves these for future definition and shall have no responsibility whatsoever for conflicts or incompatibilities arising from future changes to them. The product information on the Web Site or Materials is subject to change without notice. Do not finalize a design with this info. ARDUINO and other Arduino brands and logos and Trademarks of Arduino SA. All Arduino SA Trademarks cannot be used without owner's formal permission.

| | | | |
|---|----------------------------|---|------------------------------------|
| Title: USB BRIDGE | |   | |
| ID: ABX00050 | Revision: V1.0 | | |
| Date: 2022-11-25 Time: 17:34:53 | Sheet 5 of 7 | Author: Francesca Cenna | RevAuthor: Silvio Navaretti |
| File: SAMD11 USB Bridge.SchDoc | | | |

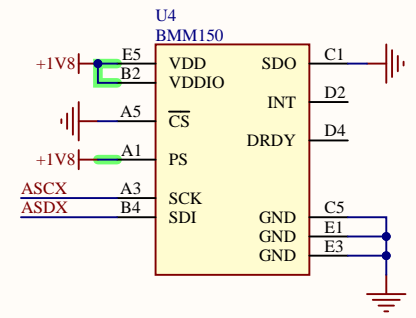
Sensor Fusion / 6 DOF IMU



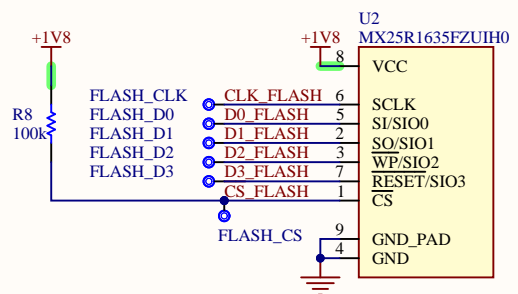
Pressure Sensor



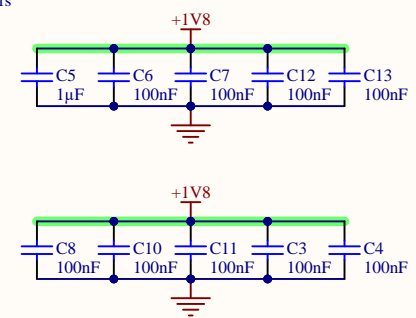
Magnetometer



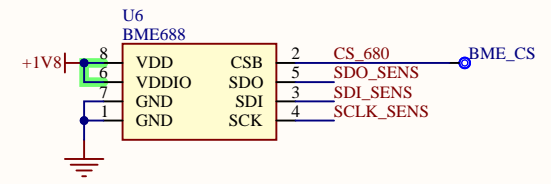
BHI Flash





Bypass Capacitors

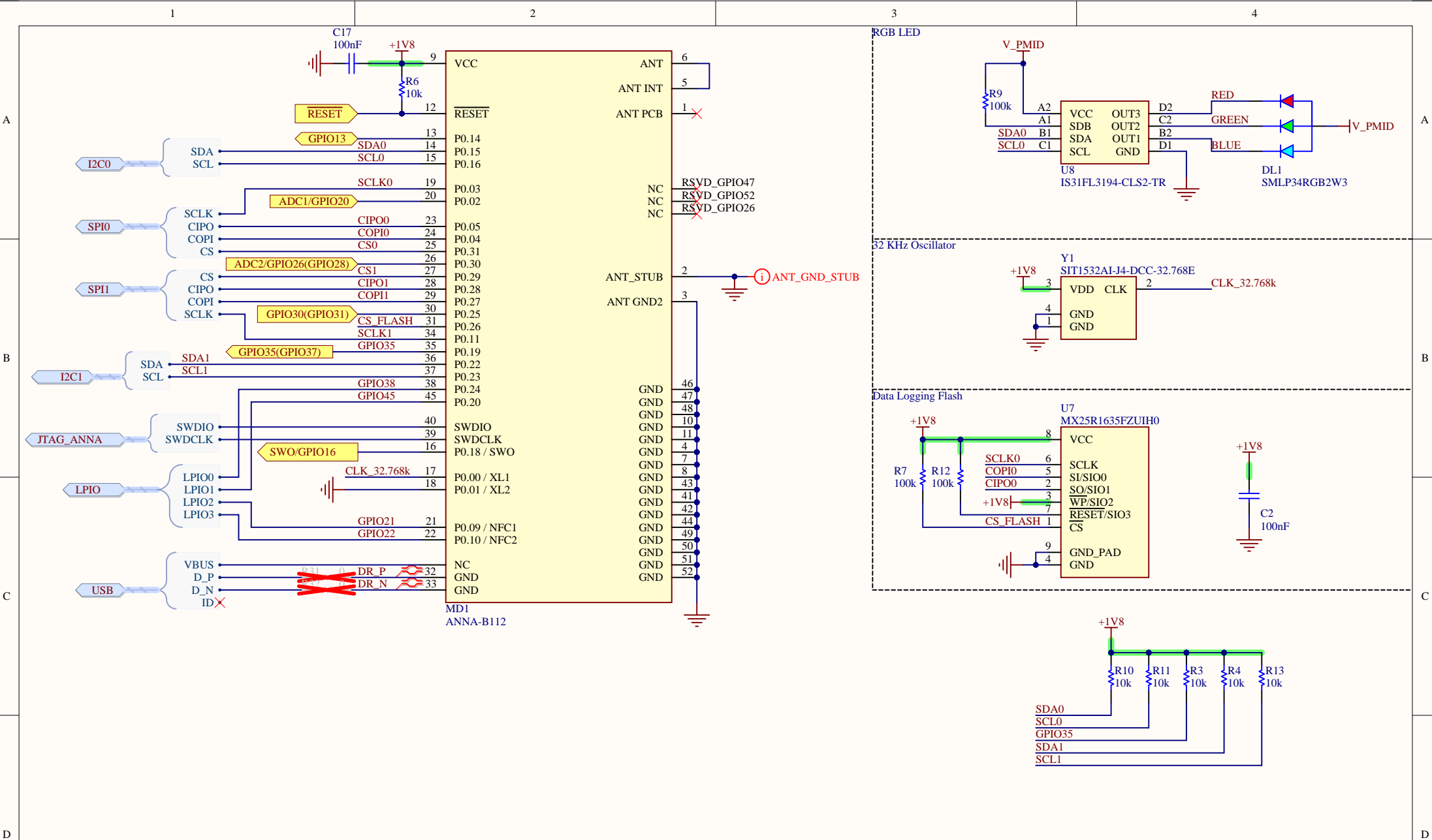


Pressure, Humidity, Temperature, VOC





Reference Designs ARE PROVIDED "AS IS" AND "WITH ALL FAULTS". Arduino SA DISCLAIMS ALL OTHER WARRANTIES, EXPRESS OR IMPLIED, REGARDING PRODUCTS, INCLUDING BUT NOT LIMITED TO, ANY IMPLIED WARRANTIES OF MERCHANTABILITY OR FITNESS FOR A PARTICULAR PURPOSE. Arduino SA may make changes to specifications and product descriptions at any time, without notice. The Customer must not rely on the absence or characteristics of any features or instructions marked "reserved" or "undefined". Arduino SA reserves these for future definition and shall have no responsibility whatsoever for conflicts or incompatibilities arising from future changes to them. The product information on the Web Site or Materials is subject to change without notice. Do not finalize a design with this info. ARDUINO and other Arduino brands and logos and Trademarks of Arduino SA. All Arduino SA Trademarks cannot be used without owner's formal permission.

| | | | |
|-----------------------------|--------------------------------|---|--|
| Title: SENSORS | |   | |
| ID: ABX00050 | Revision: V1.0 | | |
| Date: 2022-11-25 | Time: 17:34:56 | Sheet 6 of 7 | |
| File: Sensors.SchDoc | Author: Francesca Cenna | RevAuthor: Silvio Navaretti | |



Reference Designs ARE PROVIDED "AS IS" AND "WITH ALL FAULTS. Arduino SA DISCLAIMS ALL OTHER WARRANTIES, EXPRESS OR IMPLIED, REGARDING PRODUCTS, INCLUDING BUT NOT LIMITED TO, ANY IMPLIED WARRANTIES OF MERCHANTABILITY OR FITNESS FOR A PARTICULAR PURPOSE. Arduino SA may make changes to specifications and product descriptions at any time, without notice. The Customer must not rely on the absence or characteristics of any features or instructions marked "reserved" or "undefined". Arduino SA reserves these for future definition and shall have no responsibility whatsoever for conflicts or incompatibilities arising from future changes to them. The product information on the Web Site or Materials is subject to change without notice. Do not finalize a design with this info. ARDUINO and other Arduino brands and logos and Trademarks of Arduino SA. All Arduino SA Trademarks cannot be used without owner's formal permission.

| | | | | |
|---------------------------------|--------------------------------|-----------------------|------------------------------------|---|
| Title: ANNAB112 | | Revision: V1.0 | |   |
| ID: ABX00050 | Date: 2022-11-25 | Time: 17:34:59 | Sheet 7 of 7 | |
| File: ANNAB112_BQ.SchDoc | Author: Francesca Cenna | | RevAuthor: Silvio Navaretti | |