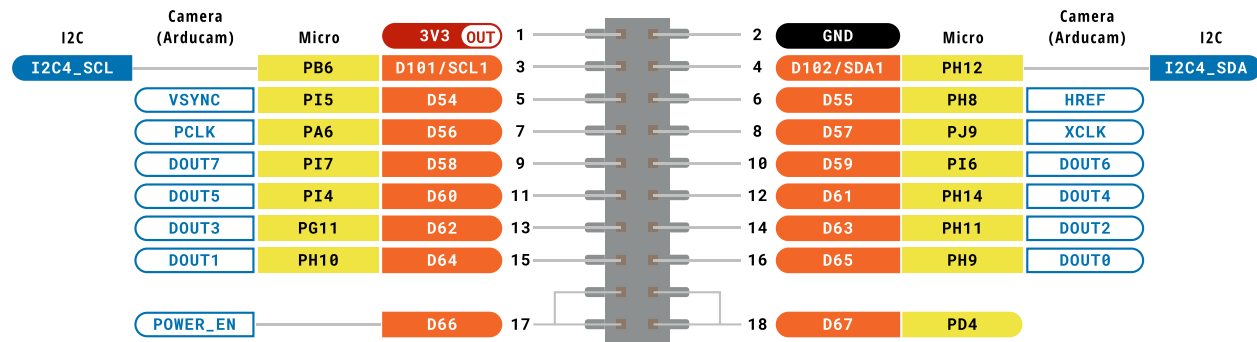
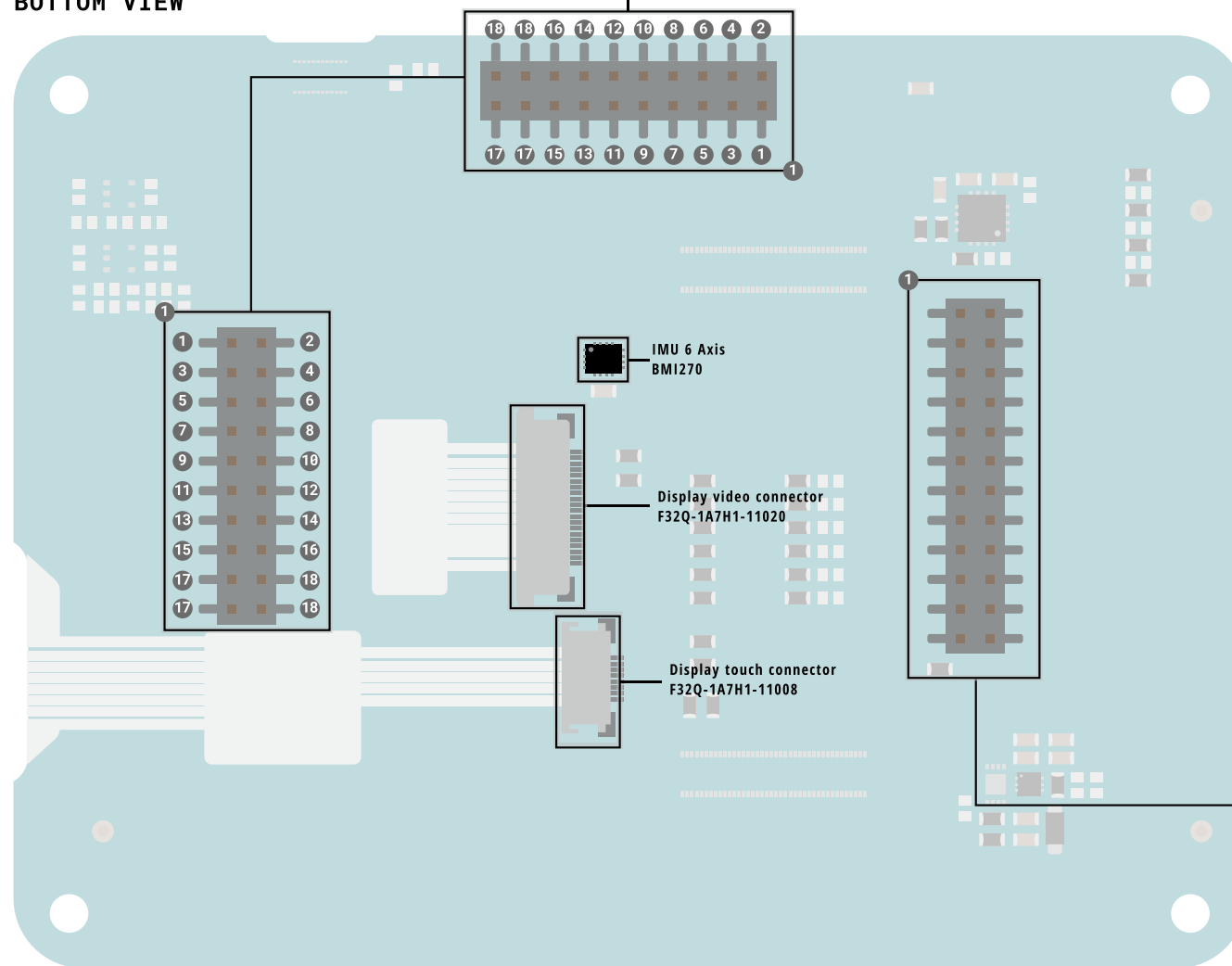


# Camera Connector

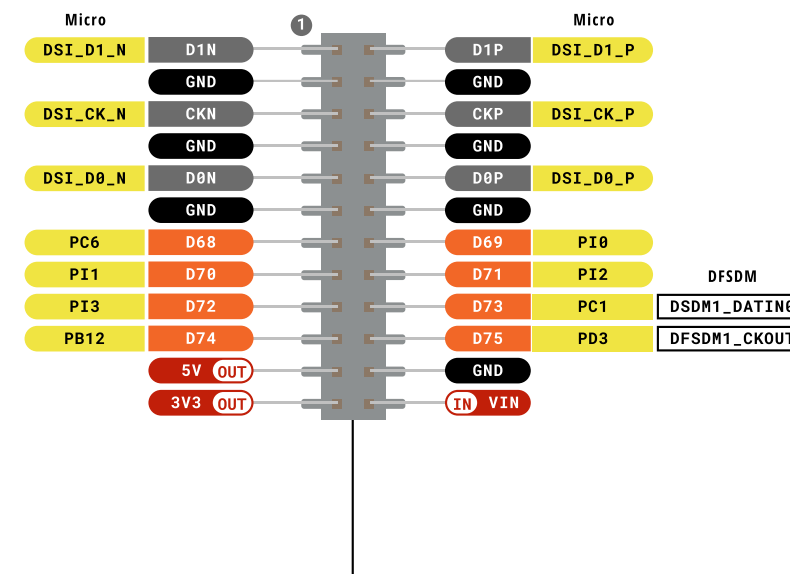


**The top and left connectors (camera) share the same pinout. See reference numbers.**

## BOTTOM VIEW



# Display Connector



### Legend:

- Power
- Ground

- Power Input
- Power Output

- GPIO Digital External
- Analog External
- Main Part
- Secondary Part
- Internal Component
- Other Pins (Reset, System Contr1, Debugging)

- I2C
- SPI
- UART/USART
- Other SERIAL Communication
- Analog
- PWM/Timer
- Default
- Default
- Default
- Default

- LED
- RGB LED
- Other

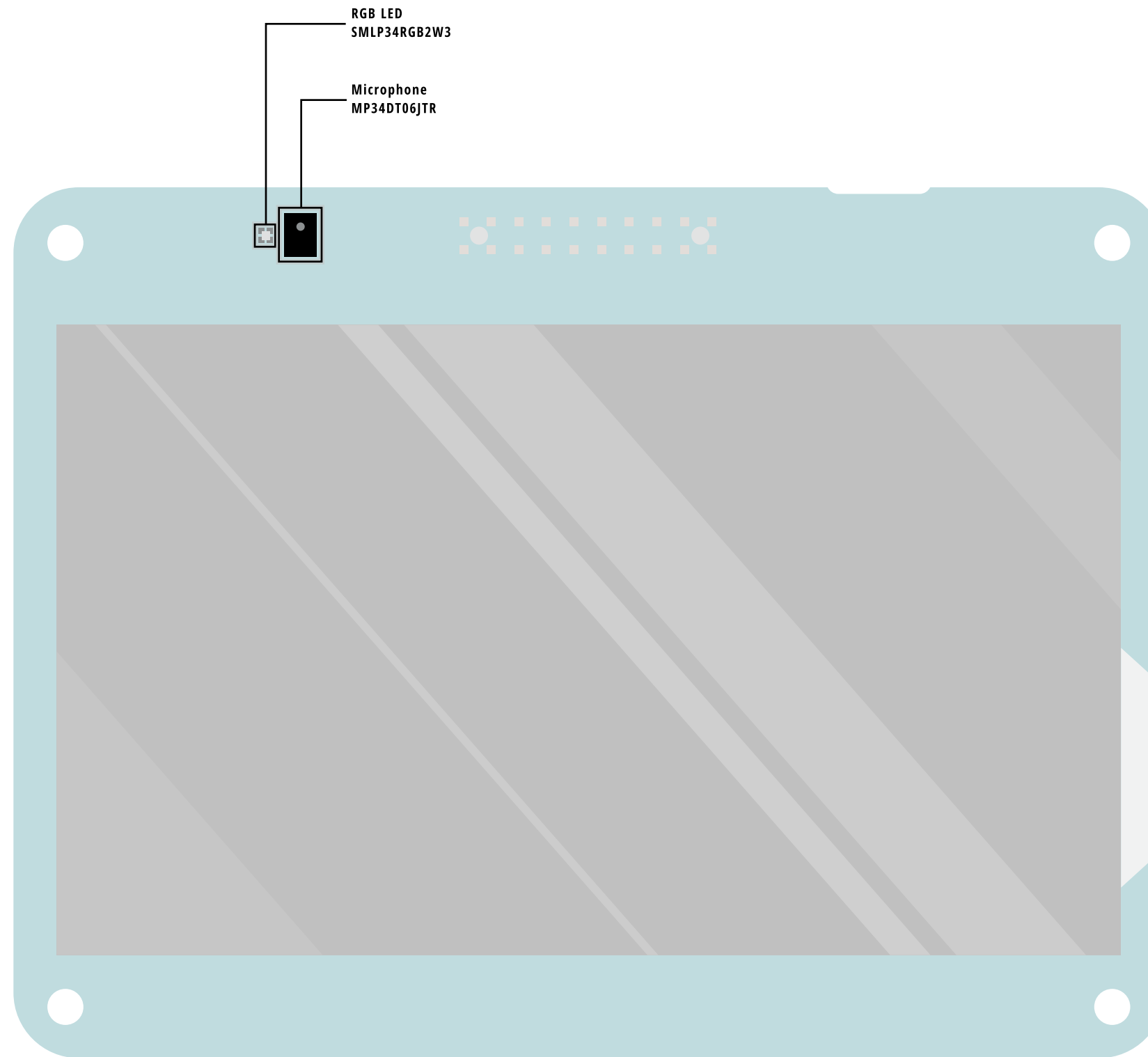


SKU code: ASX00039  
Full Pinout - Page 1 of 2  
Last update: 4 Sep, 2023

DOCS . ARDUINO . CC



This work is licensed under the Creative Commons Attribution-ShareAlike 4.0 International License. To view a copy of this license, visit <http://creativecommons.org/licenses/by-sa/4.0/> or send a letter to Creative Commons, PO Box 1866, Mountain View, CA 94042, USA.



**Legend :**

■ Power

IN Power Input

■ Ground

OUT Power Output

■ GPIO Digital External

□ Analog External

■ Main Part

■ Secondary Part

■ Internal Component

■ Other Pins (Reset, System  
Contr1, Debugging)

■ I2C

■ SPI

■ UART/USART

□ Other SERIAL Communication

■ Analog

□ PWM/Timer

D Default

D Default

D Default

D Default

LED

RGB LED

Other



SKU code: ASX00039  
Full Pinout - Page 2 of 2  
Last update: 4 Sep, 2023

DOCS . ARDUINO . CC



This work is licensed under the Creative Commons Attribution-ShareAlike 4.0 International License. To view a copy of this license, visit <http://creativecommons.org/licenses/by-sa/4.0/> or send a letter to Creative Commons, PO Box 1866, Mountain View, CA 94042, USA.