

TOP VIEW

Legend:

- Power
- Ground

- IN Power Input
- OUT Power Output

- GPIO Digital External
- Analog External
- Main Part
- Secondary Part
- Internal Component
- Other Pins (Reset, System Control, Debugging)

- I2C
- SPI
- UART/USART
- Other SERIAL Communication
- Analog
- PWM/Timer
- Default
- Default
- Default
- Default

- LED
- RGB LED
- Other

- ⚠ **MAXIMUM** current per I/O pin is 20mA
- ⚠ **MAXIMUM** current per +3.3V pin is 50mA
- ! **VIN** 6-20V input to the board
- i CIP0/COPI have previously been referred to as MISO/MOSI



SKU code: ASX00037  
Full Pinout - Page 1 of 4  
Last update: 11 Oct, 2022

DOCS . ARDUINO . CC

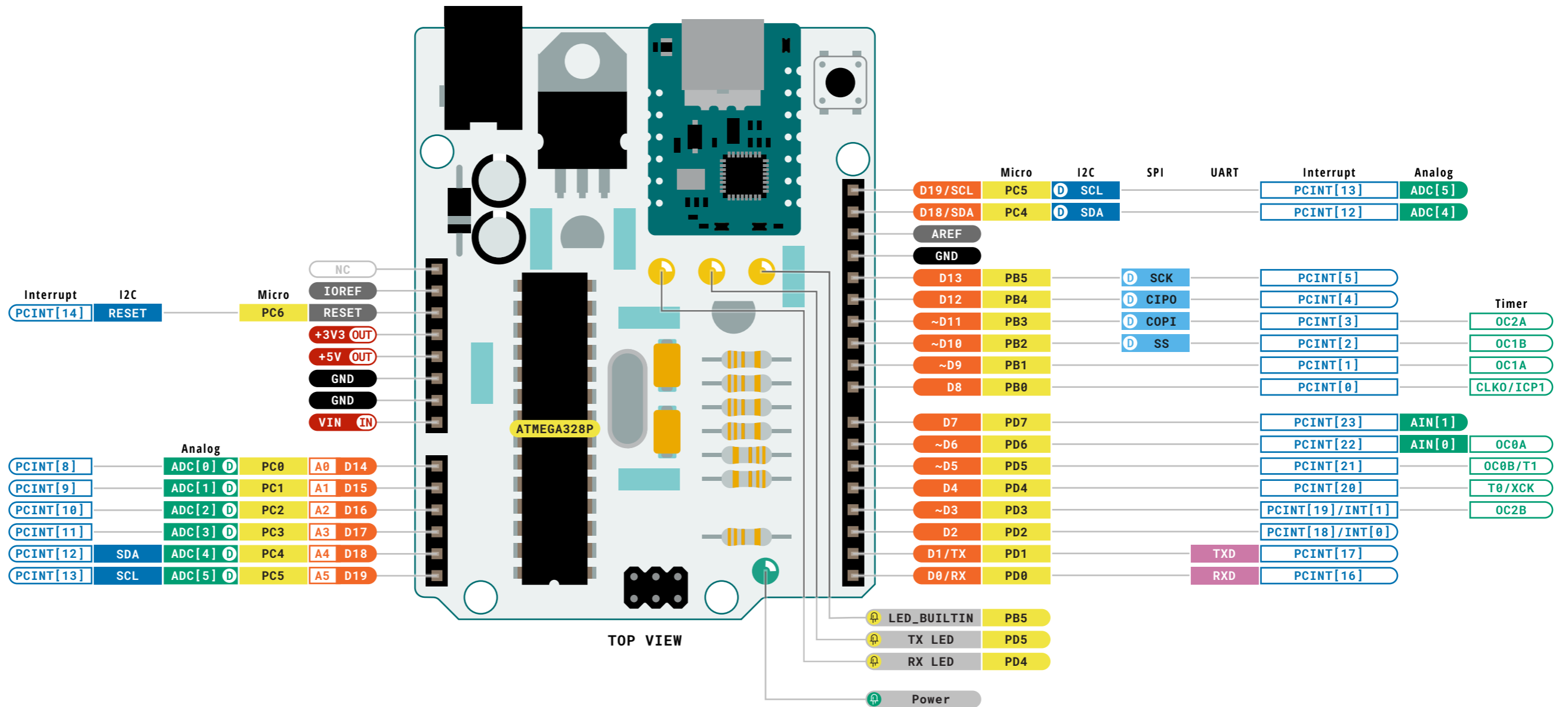
This work is licensed under the Creative Commons Attribution-ShareAlike 4.0 International License. To view a copy of this license, visit <http://creativecommons.org/licenses/by-sa/4.0/> or send a letter to Creative Commons, PO Box 1866, Mountain View, CA 94042, USA.

WARNING!

## Advanced Section

The following information is for advanced use only and may not be officially supported by Arduino software





**Legend:**

Power	Power Input	GPIO Digital External	I2C	Default	LED
Ground	Power Output	Analog External	SPI	Default	RGB LED
		Main Part	UART/USART	Default	Other
		Secondary Part	Other SERIAL Communication		
		Internal Component	Analog	Default	
		Other Pins (Reset, System Control, Debugging)	PWM/Timer		

**MAXIMUM** current per I/O pin is 20mA

**MAXIMUM** current per +3.3V pin is 50mA

**VIN** 6-20V input to the board

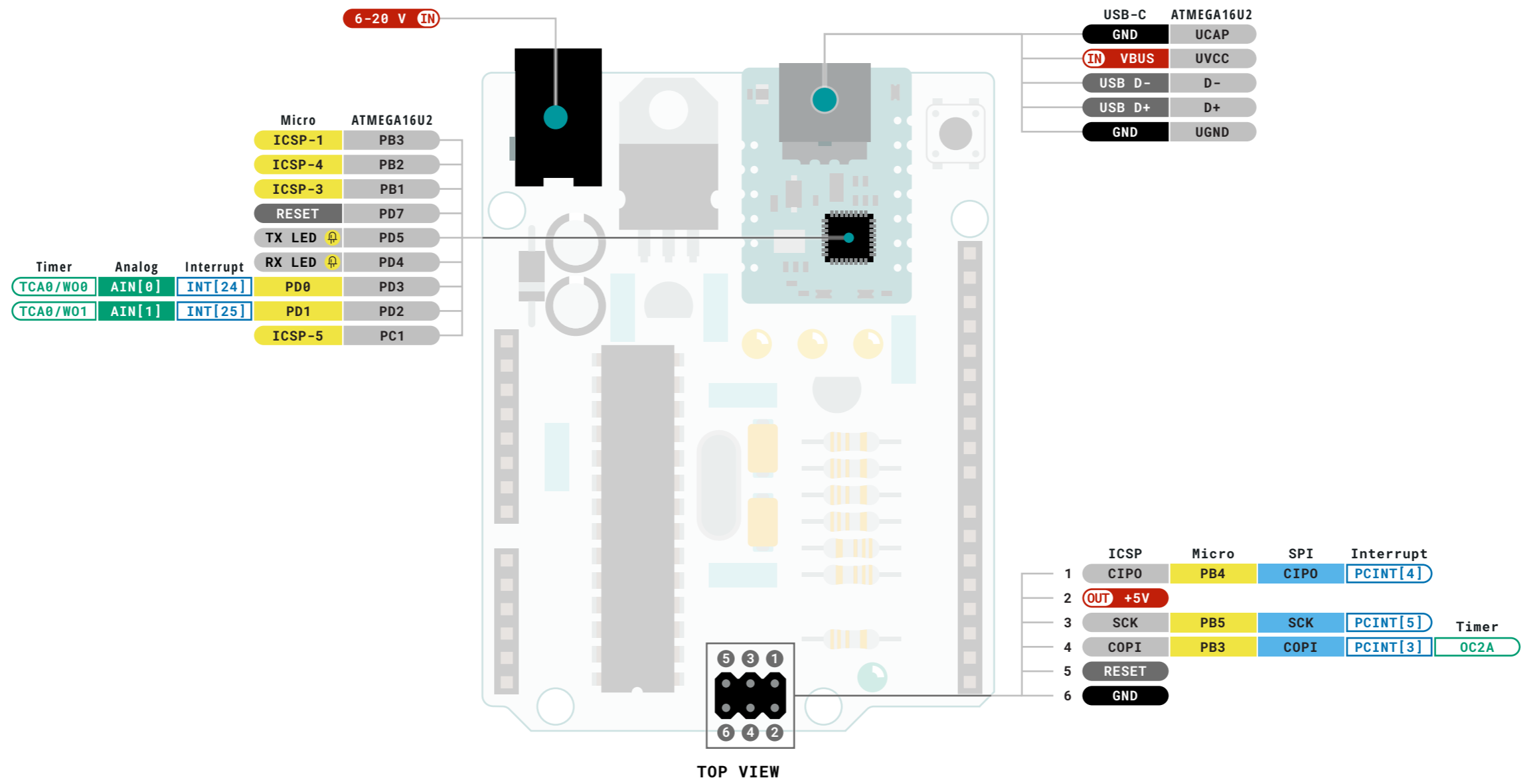
CIP0/COPI have previously been referred to as MISO/MOSI

**MAKE YOUR UNO KIT**

SKU code: ASX00037  
Full Pinout - Page 3 of 4  
Last update: 11 Oct, 2022

DOCS.ARDUNO.CC

This work is licensed under the Creative Commons Attribution-ShareAlike 4.0 International License. To view a copy of this license, visit <http://creativecommons.org/licenses/by-sa/4.0/> or send a letter to Creative Commons, PO Box 1866, Mountain View, CA 94042, USA.



**Legend:**

- |        |              |   |                            |         |         |
|--------|--------------|---|----------------------------|---------|---------|
| Power  | Power Input  | GPIO Digital External                         | I2C                        | Default | LED     |
| Ground | Power Output | Analog External                               | SPI                        | Default | RGB LED |
|        |              | Main Part                                     | UART/USART                 | Default | Other   |
|        |              | Secondary Part                                | Other SERIAL Communication | Default |         |
|        |              | Internal Component                            | Analog                     |         |         |
|        |              | Other Pins (Reset, System Control, Debugging) | PWM/Timer                  |         |         |

- MAXIMUM** current per I/O pin is 20mA
- MAXIMUM** current per +3.3V pin is 50mA
- VIN** 6-20V input to the board
- CIP0/COPI have previously been referred to as MISO/MOSI



SKU code: ASX00037  
 Full Pinout - Page 4 of 4  
 Last update: 11 Oct, 2022

**DOCS . ARDUINO . CC**

This work is licensed under the Creative Commons Attribution-ShareAlike 4.0 International License. To view a copy of this license, visit <http://creativecommons.org/licenses/by-sa/4.0/> or send a letter to Creative Commons, PO Box 1866, Mountain View, CA 94042, USA.