

Legend:

- | | | | |
|--|--|--|--|
| ■ Power | IN Power Input | □ GPIO Digital External | ⚠️ LED |
| OUT Power Output | □ Analog External | □ Main Part | ⚡ RGB LED |
| ■ Ground | □ Internal Component | □ Secondary Part | □ Other |
| | □ Other Pins (Reset, System Control, Debugging) | | |

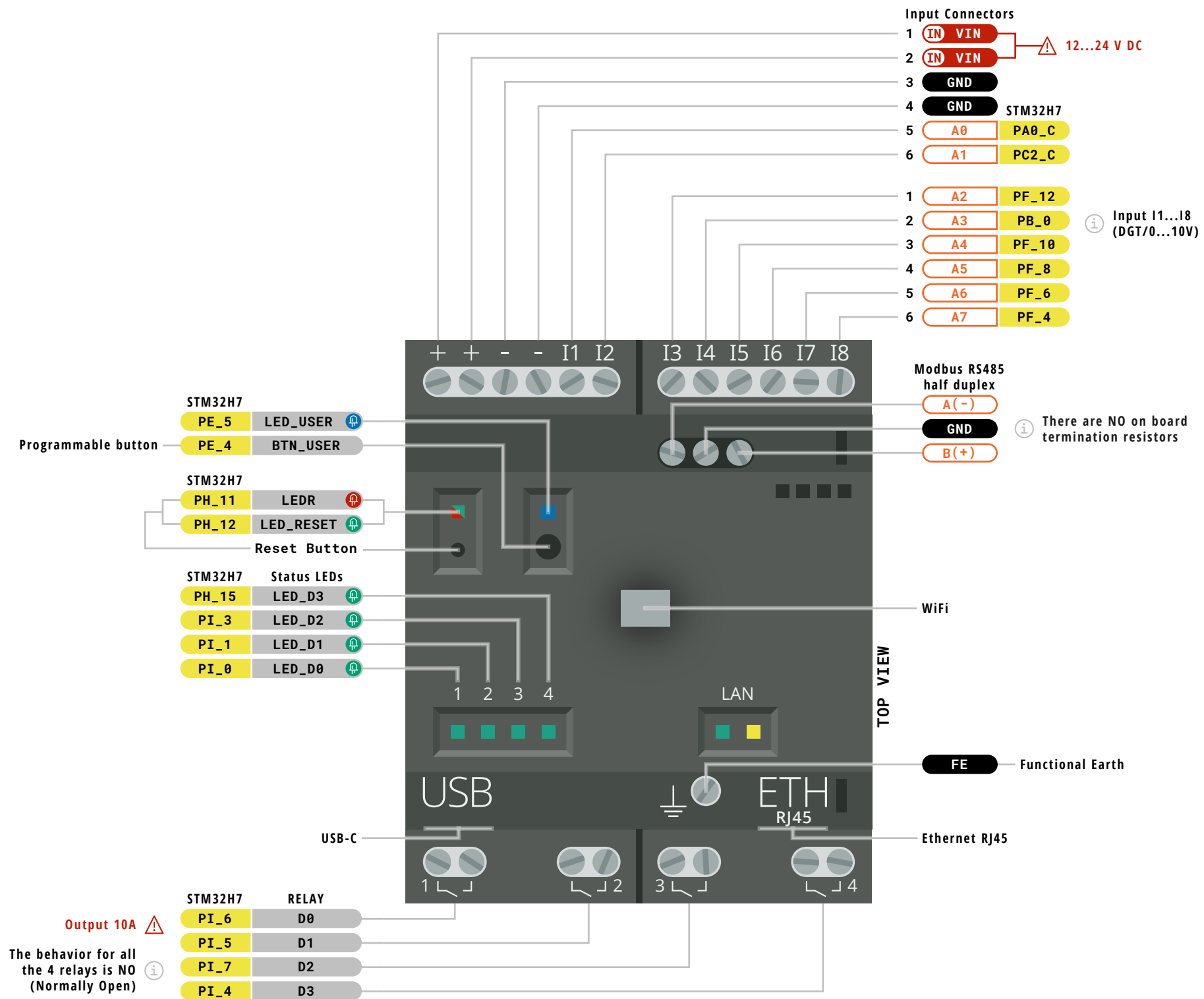
- ⚠️ **WARNING** Ensure the correct polarity is respected before connecting the device to the power supply
- ⚠️ **MAXIMUM** analogic input voltage is 10V
- ⚠️ **MAXIMUM** relay rated voltage 250VAC
MAXIMUM current per relay 10A



SKU code: AFX00001
Full Pinout - Page 1 of 1
Last update: 13 Apr, 2023

DOCS . ARDUINO . CC

This work is licensed under the Creative Commons Attribution-ShareAlike 4.0 International License. To view a copy of this license, visit <http://creativecommons.org/licenses/by-sa/4.0/> or send a letter to Creative Commons, PO Box 1866, Mountain View, CA 94042, USA.



Legend:

- | | | | |
|----------|----------------|---|-----------|
| ■ Power | Ⓜ Power Input | ■ GPIO Digital External | Ⓜ LED |
| ■ Ground | Ⓜ Power Output | □ Analog External | Ⓜ RGB LED |
| | | ■ Main Part | □ Other |
| | | ■ Secondary Part | |
| | | ■ Internal Component | |
| | | ■ Other Pins (Reset, System Control, Debugging) | |

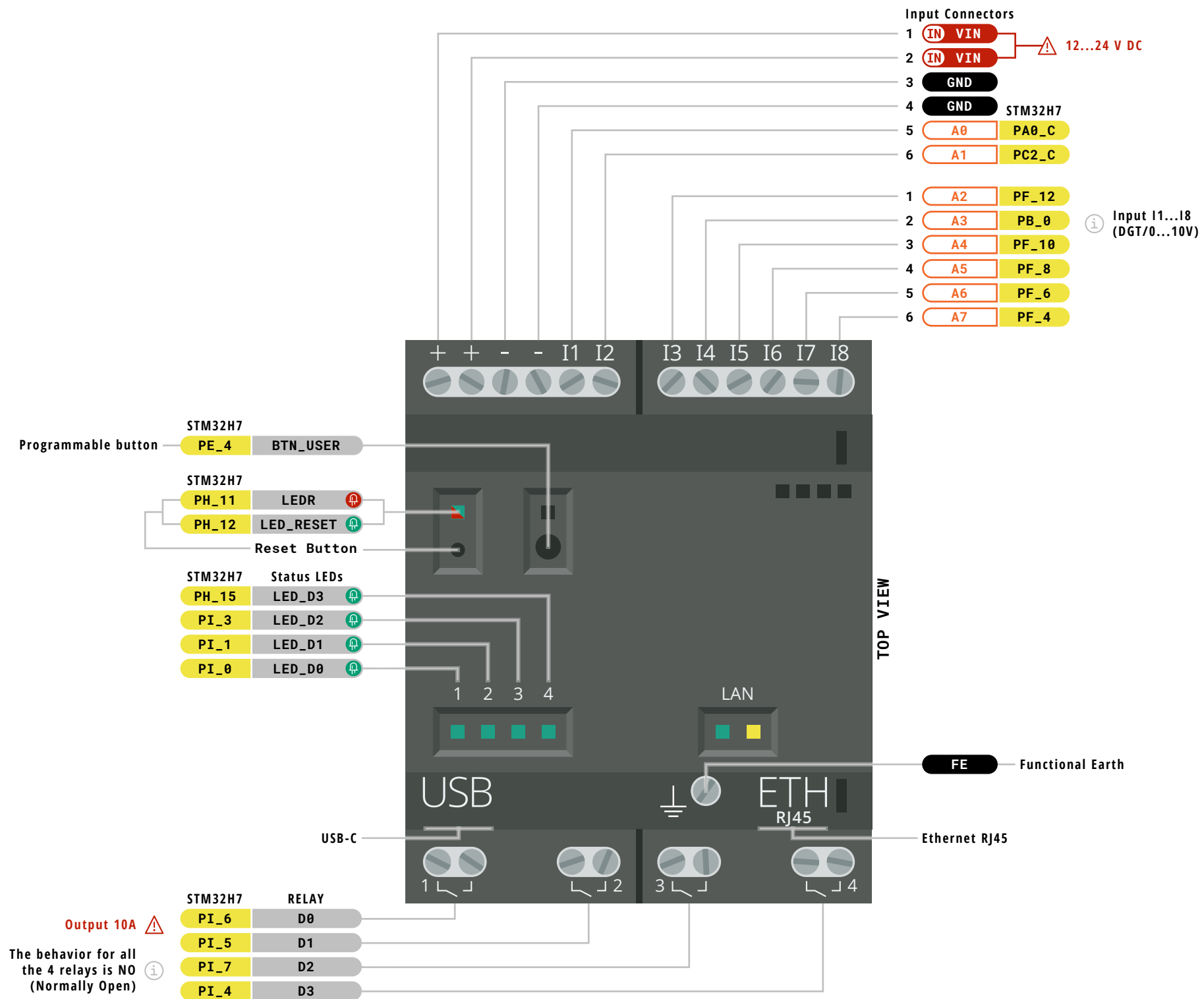
- ⚠️ **WARNING** Ensure the correct polarity is respected before connecting the device to the power supply
- ⚠️ **MAXIMUM** analogic input voltage is 10V
- ⚠️ **MAXIMUM** relay rated voltage 250VAC
MAXIMUM current per relay 10A



SKU code: AFX00002
Full Pinout - Page 1 of 1
Last update: 2 Mar, 2023

DOCS . ARDUINO . CC

This work is licensed under the Creative Commons Attribution-ShareAlike 4.0 International License. To view a copy of this license, visit <http://creativecommons.org/licenses/by-sa/4.0/> or send a letter to Creative Commons, PO Box 1866, Mountain View, CA 94042, USA.



Legend:

- | | | | |
|----------|------------------|---|-----------|
| ■ Power | IN Power Input | ■ GPIO Digital External | ⚠️ LED |
| ■ Ground | OUT Power Output | □ Analog External | 🌈 RGB LED |
| | | ■ Main Part | □ Other |
| | | ■ Secondary Part | |
| | | ■ Internal Component | |
| | | ■ Other Pins (Reset, System Control, Debugging) | |

- ⚠️ **WARNING** Ensure the correct polarity is respected before connecting the device to the power supply
- ⚠️ **MAXIMUM** analogic input voltage is 10V
- ⚠️ **MAXIMUM** relay rated voltage 250VAC
MAXIMUM current per relay 10A



SKU code: AFX00003
Full Pinout - Page 1 of 1
Last update: 18 Sep, 2023

DOCS . ARDUINO . CC

This work is licensed under the Creative Commons Attribution-ShareAlike 4.0 International License. To view a copy of this license, visit <http://creativecommons.org/licenses/by-sa/4.0/> or send a letter to Creative Commons, PO Box 1866, Mountain View, CA 94042, USA.