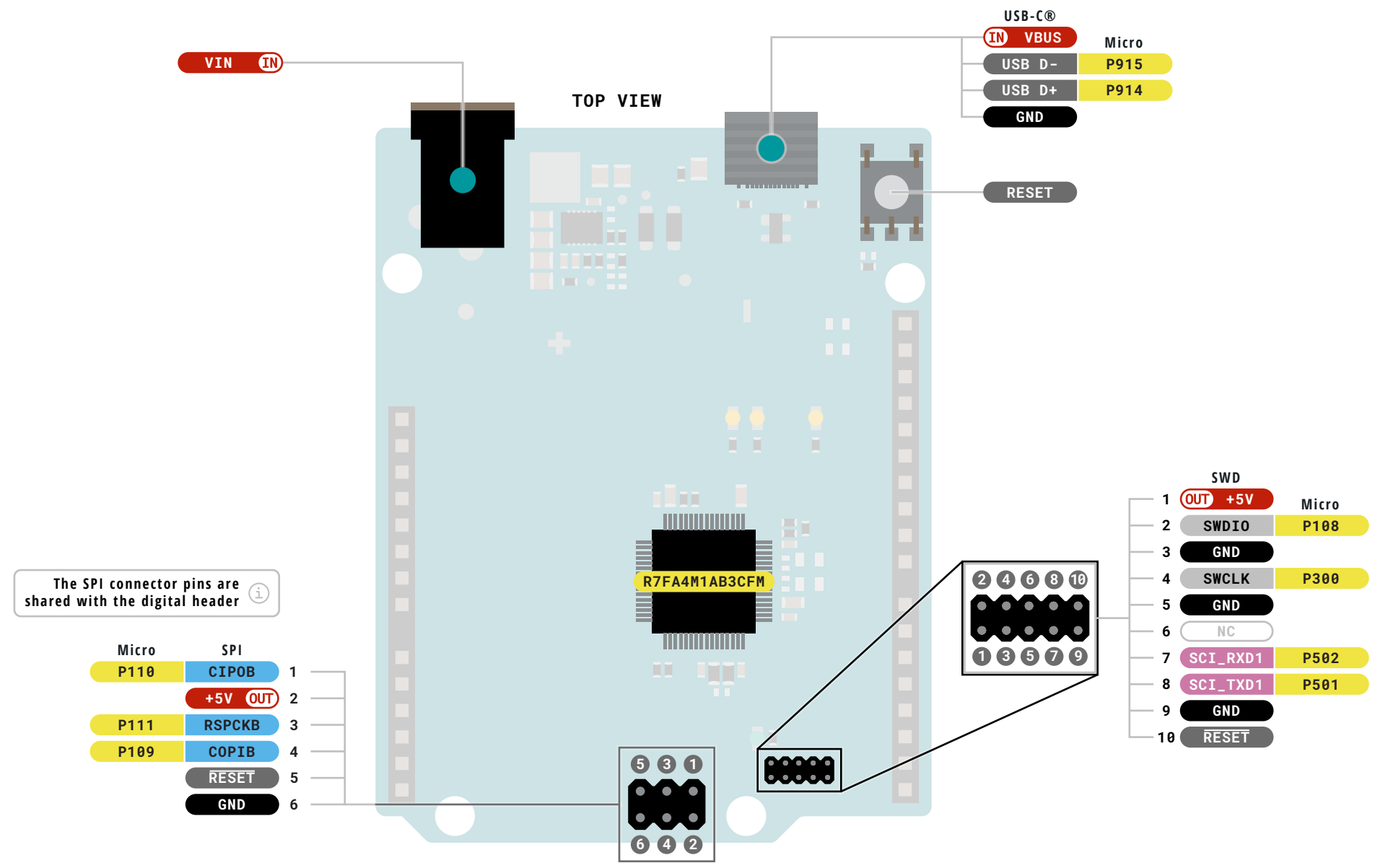


<p><b>Legend:</b></p> <ul style="list-style-type: none"> <li>Power</li> <li>Power Input</li> <li>Power Output</li> <li>Ground</li> </ul>	<ul style="list-style-type: none"> <li>GPIO Digital External</li> <li>Analog External</li> <li>Main Part</li> <li>Secondary Part</li> <li>Internal Component</li> <li>Other Pins (Reset, System Control, Debugging)</li> </ul>	<ul style="list-style-type: none"> <li>I2C</li> <li>SPI</li> <li>UART/USART</li> <li>Other SERIAL Communication</li> <li>Analog</li> <li>PWM/Timer</li> </ul>	<ul style="list-style-type: none"> <li>Default</li> <li>Default</li> <li>Default</li> <li>Default</li> </ul>	<ul style="list-style-type: none"> <li>LED</li> <li>RGB LED</li> <li>Other</li> </ul>	<ul style="list-style-type: none"> <li>MAXIMUM current per pin 8mA</li> <li>MAXIMUM current overall 60mA</li> <li>CIP0/COPI have previously been referred to as MISO/MOSI</li> </ul>	<p style="text-align: center;"><b>UNO R4 MINIMA</b></p> <p>SKU code: ABX00080 Full Pinout - Page 1 of 4 Last update: 27 Nov, 2023</p> <p>DOCS . ARDUINO . CC</p> <p>This work is licensed under the Creative Commons Attribution-ShareAlike 4.0 International License. To view a copy of this license, visit <a href="http://creativecommons.org/licenses/by-sa/4.0/">http://creativecommons.org/licenses/by-sa/4.0/</a> or send a letter to Creative Commons, PO Box 1866, Mountain View, CA 94042, USA.</p>
--	--	---	--	---	--	---



**Legend:**

- Power**
- Power Input** (IN)
- Power Output** (OUT)
- Ground** (GND)
- GPIO Digital External**
- Analog External**
- Main Part**
- Secondary Part**
- Internal Component**
- Other Pins (Reset, System Control, Debugging)**
- I2C**
- SPI**
- UART/USART**
- Other SERIAL Communication**
- Analog**
- PWM/Timer**
- Default** (D)
- Default** (D)
- Default** (D)
- Default** (D)
- Default** (D)
- LED**
- RGB LED**
- Other**

- MAXIMUM** current per pin 8mA
- MAXIMUM** current overall 60mA
- i** CIP0/COPI have previously been referred to as MISO/MOSI



SKU code: ABX00080  
Full Pinout - Page 2 of 4  
Last update: 27 Nov, 2023

**DOCS . ARDUINO . CC**

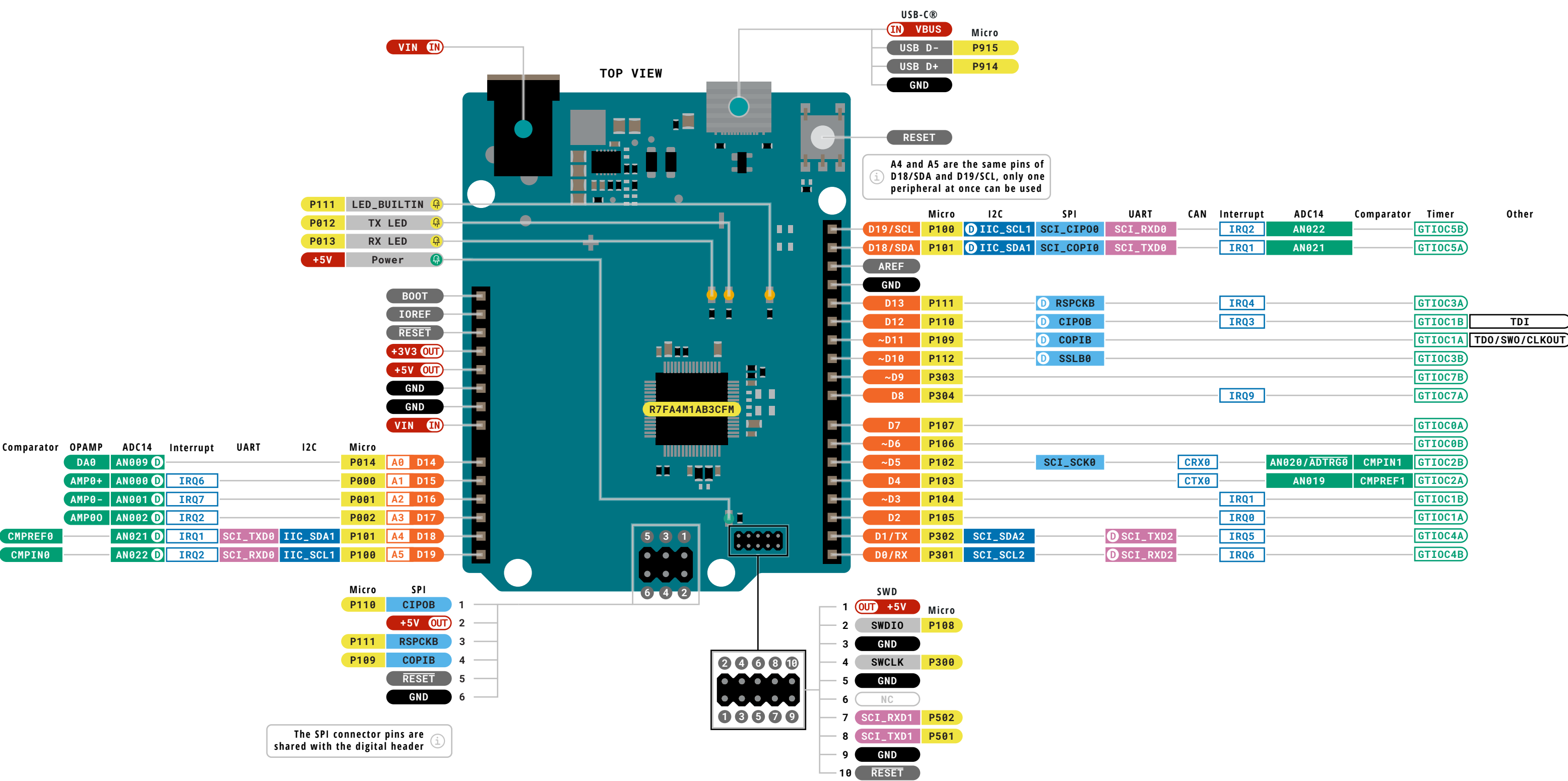
This work is licensed under the Creative Commons Attribution-ShareAlike 4.0 International License. To view a copy of this license, visit <http://creativecommons.org/licenses/by-sa/4.0/> or send a letter to Creative Commons, PO Box 1866, Mountain View, CA 94042, USA.

WARNING!

## Advanced Section

The following information is for advanced use only and may not be officially supported by Arduino software





**Legend:**

<span style="color: red;">■</span> Power	<span style="border: 1px solid red; padding: 0 2px;">IN</span> Power Input	<span style="background-color: orange; border: 1px solid orange; padding: 0 2px;"> </span> GPIO Digital External	<span style="background-color: blue; border: 1px solid blue; padding: 0 2px;"> </span> I2C	<span style="border: 1px solid blue; border-radius: 50%; padding: 0 2px;">D</span> Default	<span style="color: red;">⚡</span> LED
<span style="background-color: black; border: 1px solid black; padding: 0 2px;"> </span> Ground	<span style="border: 1px solid red; padding: 0 2px;">OUT</span> Power Output	<span style="background-color: lightorange; border: 1px solid lightorange; padding: 0 2px;"> </span> Analog External	<span style="background-color: lightblue; border: 1px solid lightblue; padding: 0 2px;"> </span> SPI	<span style="border: 1px solid purple; border-radius: 50%; padding: 0 2px;">D</span> Default	<span style="color: green;">⚡</span> RGB LED
		<span style="background-color: yellow; border: 1px solid yellow; padding: 0 2px;"> </span> Main Part	<span style="background-color: purple; border: 1px solid purple; padding: 0 2px;"> </span> UART/USART	<span style="border: 1px solid lightpurple; border-radius: 50%; padding: 0 2px;">D</span> Default	<span style="border: 1px solid grey; padding: 0 2px;"> </span> Other
		<span style="background-color: lightyellow; border: 1px solid lightyellow; padding: 0 2px;"> </span> Secondary Part	<span style="background-color: lightpurple; border: 1px solid lightpurple; padding: 0 2px;"> </span> Other SERIAL Communication	<span style="border: 1px solid green; border-radius: 50%; padding: 0 2px;">D</span> Default	
		<span style="background-color: grey; border: 1px solid grey; padding: 0 2px;"> </span> Internal Component	<span style="background-color: green; border: 1px solid green; padding: 0 2px;"> </span> Analog	<span style="border: 1px solid lightgreen; border-radius: 50%; padding: 0 2px;">D</span> Default	
		<span style="background-color: darkgrey; border: 1px solid darkgrey; padding: 0 2px;"> </span> Other Pins (Reset, System Control, Debugging)	<span style="background-color: lightgreen; border: 1px solid lightgreen; padding: 0 2px;"> </span> PWM/Timer		

**⚠️ MAXIMUM** current per pin 8mA

**⚠️ MAXIMUM** current overall 60mA

**i** CIP0/COPI have previously been referred to as MISO/MOSI



**UNO R4 MINIMA**

SKU code: ABX00880  
Full Pinout - Page 4 of 4  
Last update: 27 Nov, 2023

**DOCS . ARDUINO . CC**

This work is licensed under the Creative Commons Attribution-ShareAlike 4.0 International License. To view a copy of this license, visit <http://creativecommons.org/licenses/by-sa/4.0/> or send a letter to Creative Commons, PO Box 1866, Mountain View, CA 94042, USA.