

**Legend:**

- Power
- Ground

- IN Power Input
- OUT Power Output

- GPIO Digital External
- Analog External
- Main Part
- Secondary Part
- Internal Component
- Other Pins (Reset, System Control, Debugging)

- I2C
- SPI
- UART/USART
- Other SERIAL Communication
- Analog
- PWM/Timer
- D Default
- D Default
- D Default

- ⚡ LED
- ⚡ RGB LED
- Other

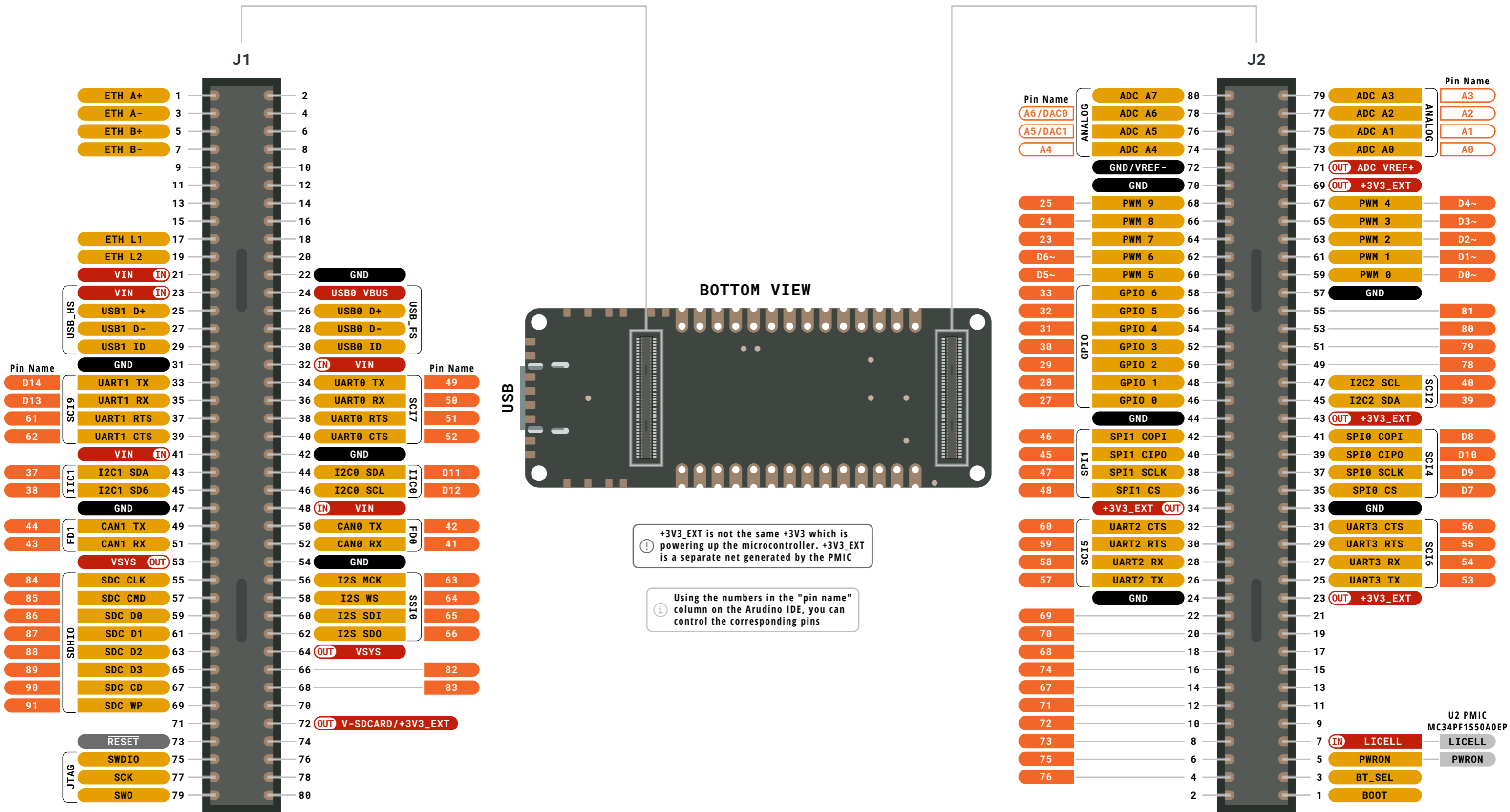
- ⚡ **MAXIMUM** current per pin is 8mA
- ⚡ **MAXIMUM** current overall is 80mA
- i CIPO/COPI have previously been referred to as MISO/MOSI



SKU code: ABX0074  
Full Pinout - Page 1 of 9  
Last update: 17 May, 2023

**DOCS . ARDUINO . CC**

This work is licensed under the Creative Commons Attribution-ShareAlike 4.0 International License. To view a copy of this license, visit <http://creativecommons.org/licenses/by-sa/4.0/> or send a letter to Creative Commons, PO Box 1866, Mountain View, CA 94042, USA.



**MAXIMUM** current per pin is 8mA

**MAXIMUM** current overall is 80mA

CIP0/COPI have previously been referred to as MISO/MOSI

**PORTENTA C33**

**ARDUINO**

SKU code: ABX00074  
Full Pinout - Page 2 of 9  
Last update: 17 May, 2023

DOCS.ARDUINO.CC

This work is licensed under the Creative Commons Attribution-ShareAlike 4.0 International License. To view a copy of this license, visit <http://creativecommons.org/licenses/by-sa/4.0/> or send a letter to Creative Commons, PO Box 1866, Mountain View, CA 94042, USA.

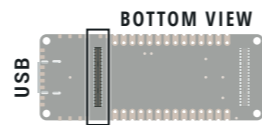
WARNING!

## Advanced Section

The following information is for advanced use only and may not be officially supported by Arduino software

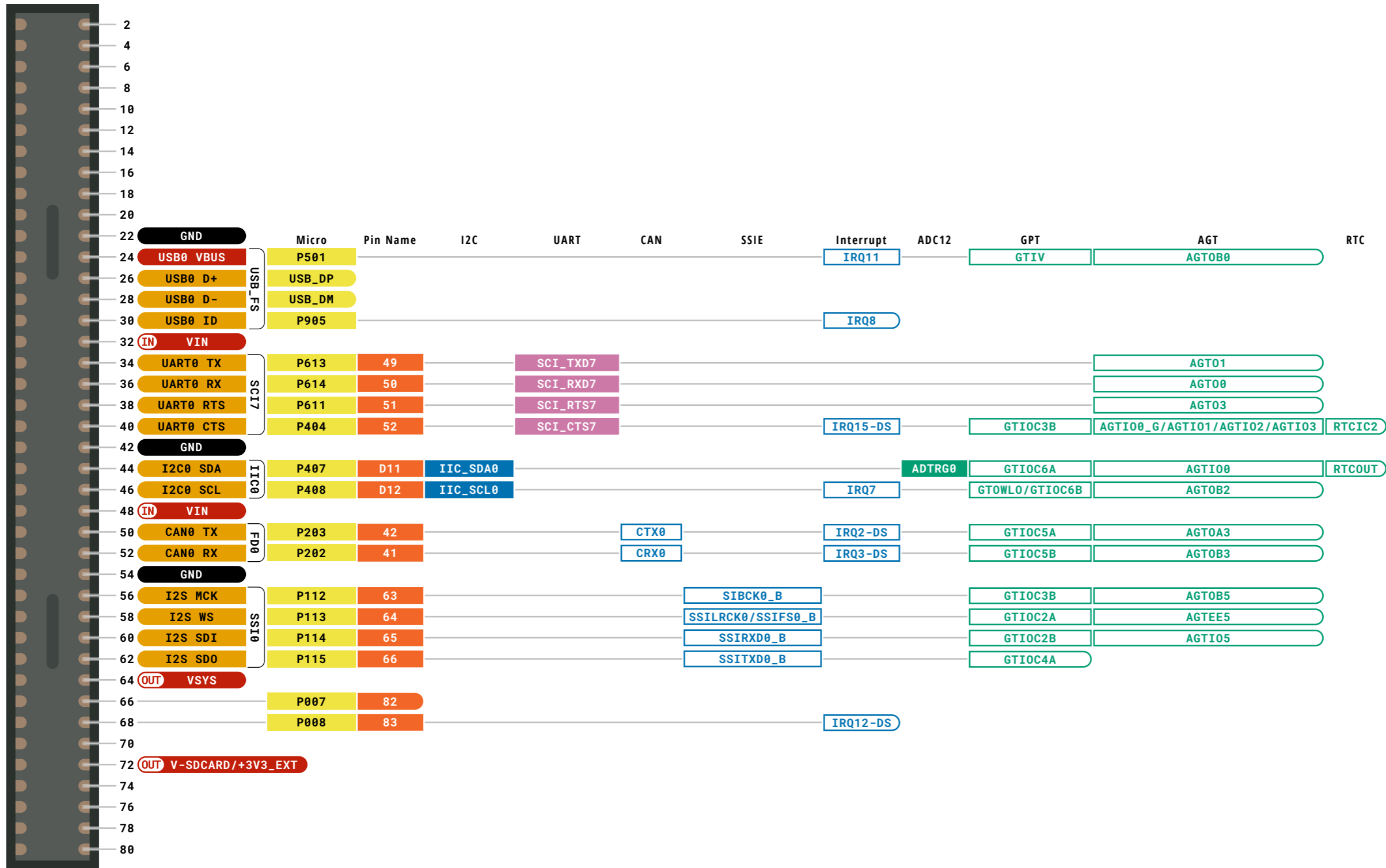






J1\_even

J1



Using the numbers in the "pin name" column on the Arduino IDE, you can control the corresponding pins

**Legend:**

- Power
- **IN** Power Input
- **OUT** Power Output
- Ground
- GPIO Digital External
- Analog External
- Main Part
- Secondary Part
- Internal Component
- Other Pins (Reset, System Control, Debugging)
- I2C
- SPI
- UART/USART
- Other SERIAL Communication
- Analog
- PWM/Timer
- D Default
- D Default
- D Default
- D Default
- ! LED
- ! RGB LED
- Other

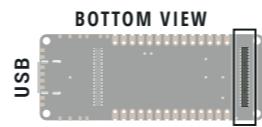
- ! **MAXIMUM** current per pin is 8mA
- ! **MAXIMUM** current overall is 80mA
- i CIP0/COPI have previously been referred to as MISO/MOSI

**PORTENTA C33**  
SKU code: ABX00074  
Full Pinout - Page 5 of 9  
Last update: 17 May, 2023

DOCS . ARDUINO . CC

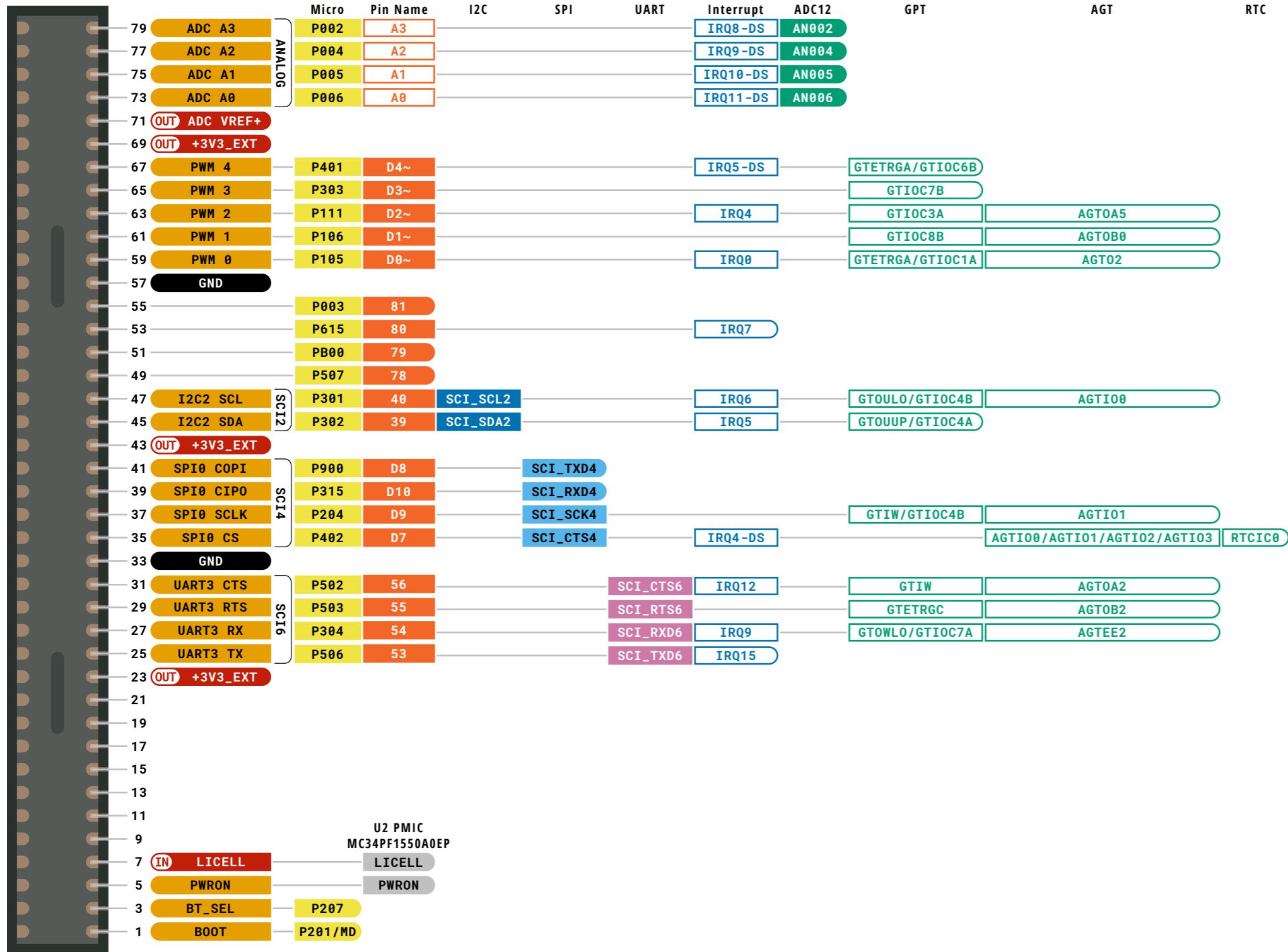
This work is licensed under the Creative Commons Attribution-ShareAlike 4.0 International License. To view a copy of this license, visit <http://creativecommons.org/licenses/by-sa/4.0/> or send a letter to Creative Commons, PO Box 1866, Mountain View, CA 94042, USA.





J2\_odd

J2



U2 PMIC  
MC34PF1550A0EP

Using the numbers in the "pin name" column on the Arduino IDE, you can control the corresponding pins

Legend:

- Power
- GPIO Digital External
- I2C
- LED
- IN Power Input
- Analog External
- SPI
- RGB LED
- OUT Power Output
- Main Part
- UART/USART
- Other
- Ground
- Secondary Part
- Other SERIAL Communication
- Default
- Internal Component
- Analog
- Default
- Other Pins (Reset, System Control, Debugging)
- PWM/Timer
- Default

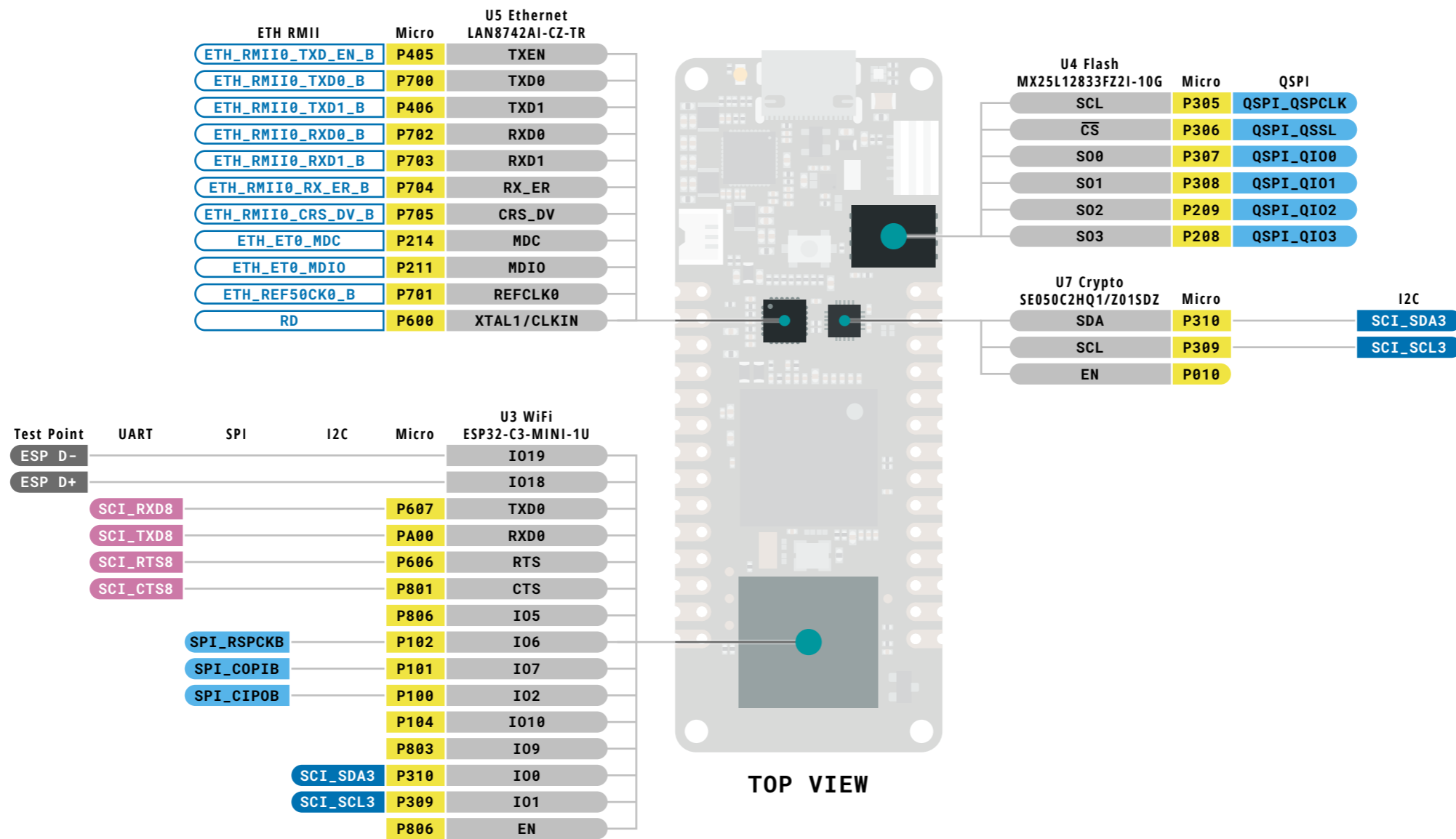
- ⚠ MAXIMUM current per pin is 8mA
- ⚠ MAXIMUM current overall is 80mA
- i CIP0/COPI have previously been referred to as MISO/MOSI

**PORTENTA C33**  
**ARDUINO**

SKU code: ABX00074  
Full Pinout - Page 7 of 9  
Last update: 17 May, 2023

DOCS.ARDUINO.CC

This work is licensed under the Creative Commons Attribution-ShareAlike 4.0 International License. To view a copy of this license, visit <http://creativecommons.org/licenses/by-sa/4.0/> or send a letter to Creative Commons, PO Box 1866, Mountain View, CA 94042, USA.



TOP VIEW

**Legend:**

Power	Power Input	GPIO Digital External	I2C	Default	LED
Ground	Power Output	Analog External	SPI	Default	RGB LED
		Main Part	UART/USART	Default	Other
		Secondary Part	Other SERIAL Communication	Default	
		Internal Component	Analog		
		Other Pins (Reset, System Control, Debugging)	PWM/Timer		

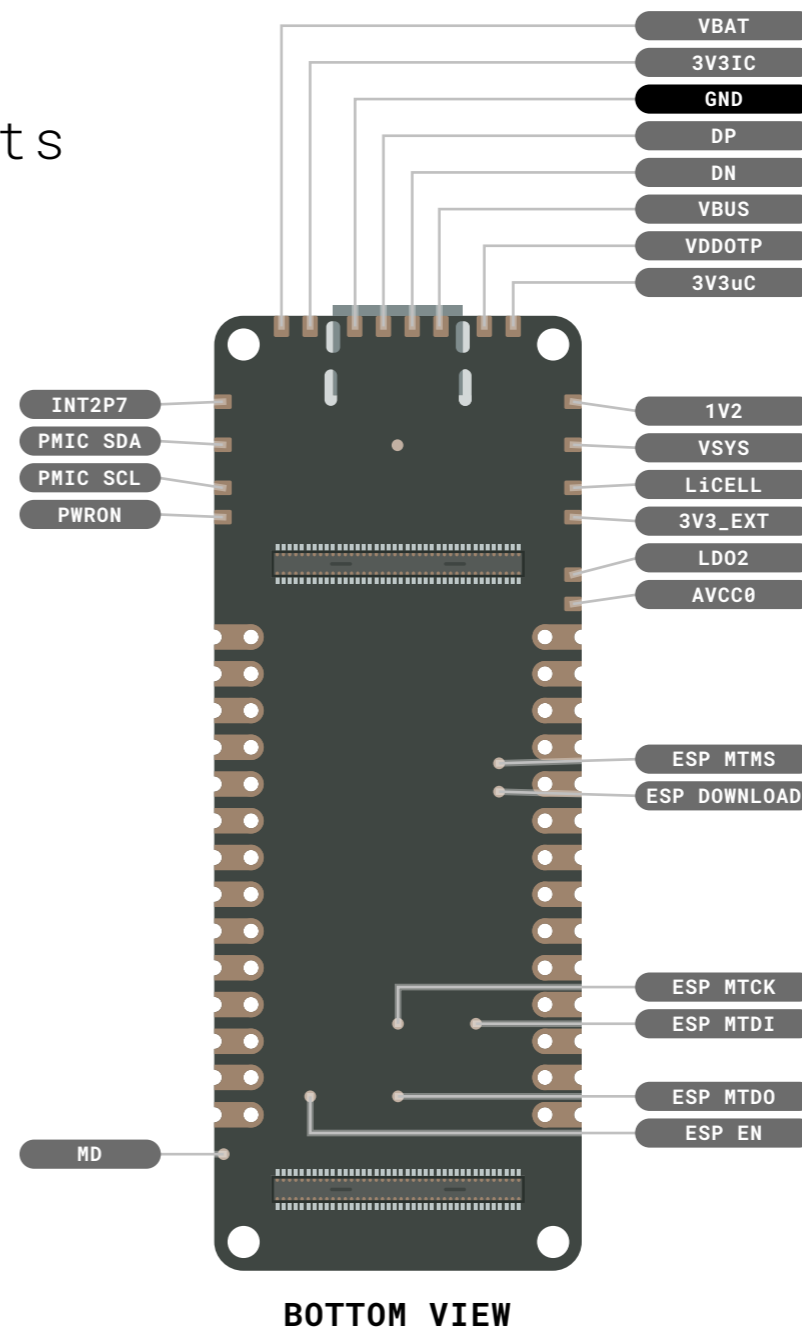
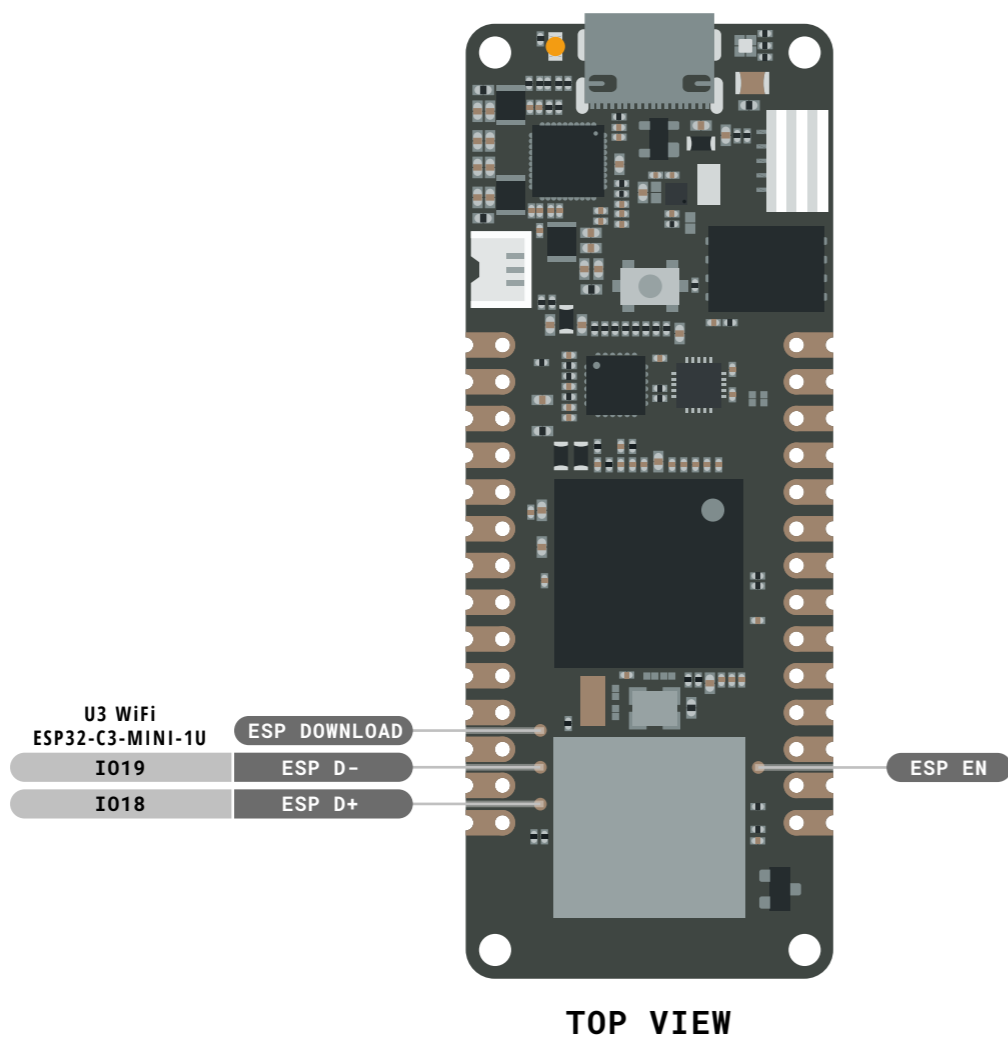
**MAXIMUM** current per pin is 8mA  
**MAXIMUM** current overall is 80mA  
 CIP0/COPI have previously been referred to as MISO/MOSI

**PORTENTA C33**  
 SKU code: ABX00074  
 Full Pinout - Page 8 of 9  
 Last update: 17 May, 2023

**DOCS . ARDUINO . CC**  
 This work is licensed under the Creative Commons Attribution-ShareAlike 4.0 International License. To view a copy of this license, visit <http://creativecommons.org/licenses/by-sa/4.0/> or send a letter to Creative Commons, PO Box 1866, Mountain View, CA 94042, USA.



# Test Points



**Legend:**

- Power
- Power Input
- Power Output
- Ground
- GPIO Digital External
- Analog External
- Main Part
- Secondary Part
- Internal Component
- Other Pins (Reset, System Control, Debugging)
- LED
- RGB LED
- Other

- MAXIMUM** current per pin is 8mA
- MAXIMUM** current overall is 80mA
- CIP0/COPI have previously been referred to as MISO/MOSI



SKU code: ABX00074  
Full Pinout - Page 9 of 9  
Last update: 17 May, 2023

DOCS . ARDUINO . CC

This work is licensed under the Creative Commons Attribution-ShareAlike 4.0 International License. To view a copy of this license, visit <http://creativecommons.org/licenses/by-sa/4.0/> or send a letter to Creative Commons, PO Box 1866, Mountain View, CA 94042, USA.