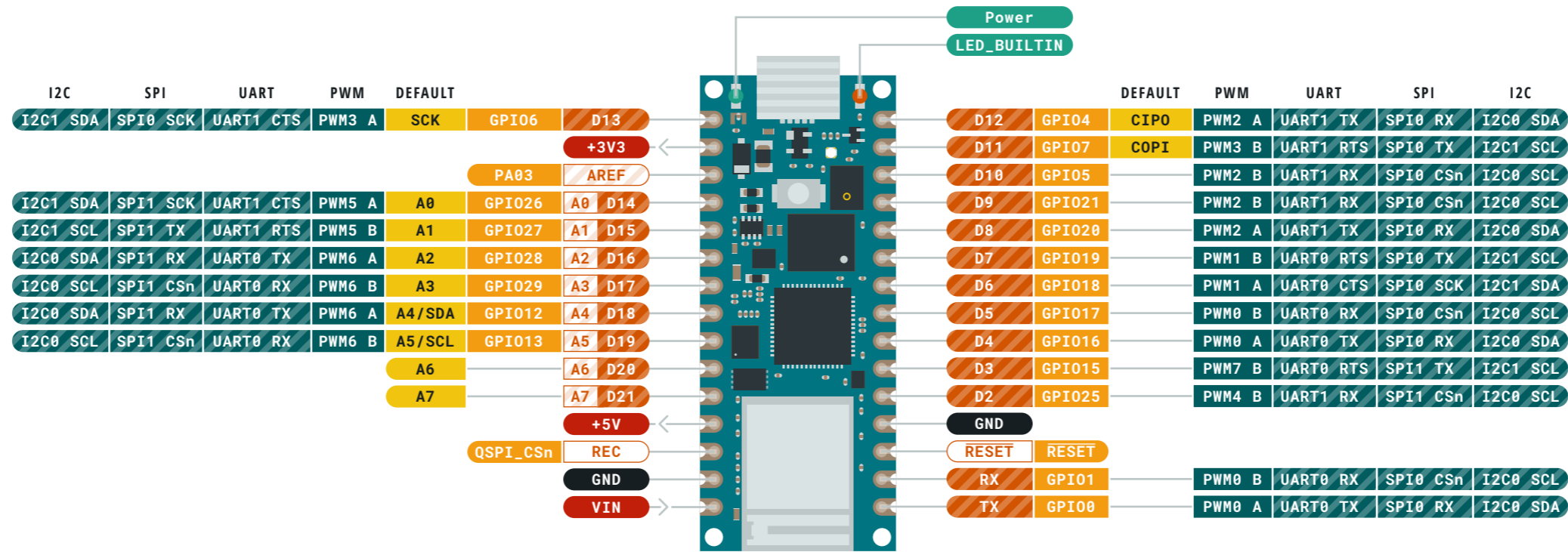


- Ground
- Power
- LED
- Internal Pin
- SWD Pin
- Digital Pin
- Analog Pin
- Other Pin
- Microcontroller's Port
- Default

- ⚠ **MAXIMUM** I/O supply voltage is 3.63V
- ⚠ **MAXIMUM** GPIO input voltage is 3.3V
- ⚠ **MAXIMUM** sum of all current being sunk into GPIO and QSPI pins is 50mA

**VIN** Input voltage to the board.



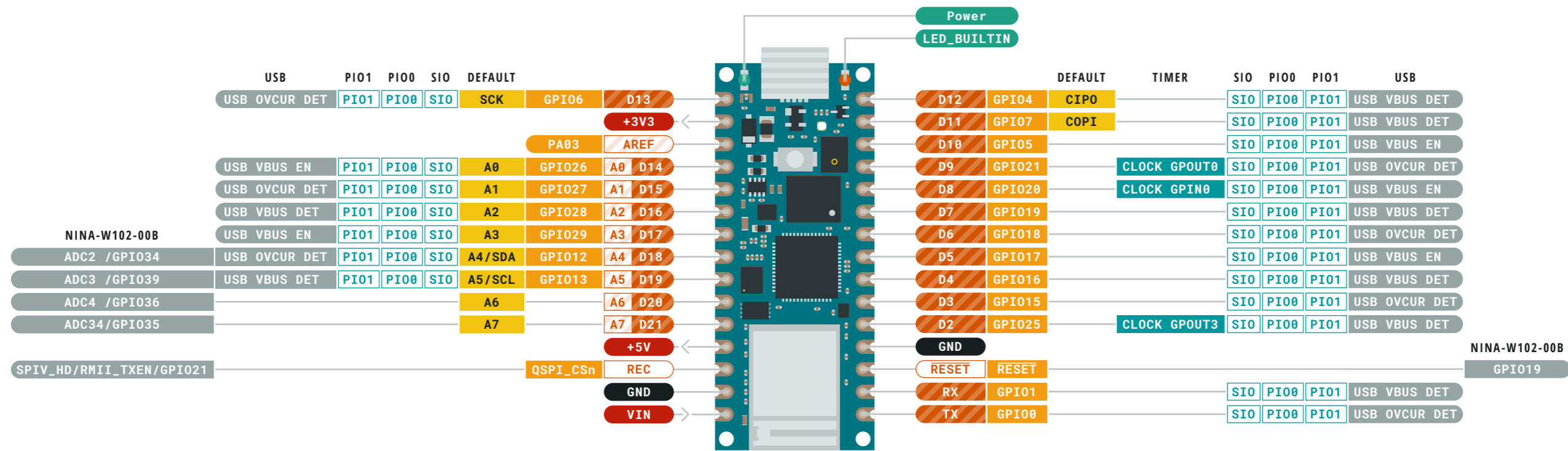


Ground	Digital Pin	Analog
Power	Analog Pin	Communication
LED	Other Pin	Timer
Internal Pin	Microcontroller's Port	GPIO
SWD Pin	Default	

- MAXIMUM** I/O supply voltage is 3.63V
- MAXIMUM** GPIO input voltage is 3.3V
- MAXIMUM** sum of all current being sunk into GPIO and QSPI pins is 50mA

**VIN** Input voltage to the board.



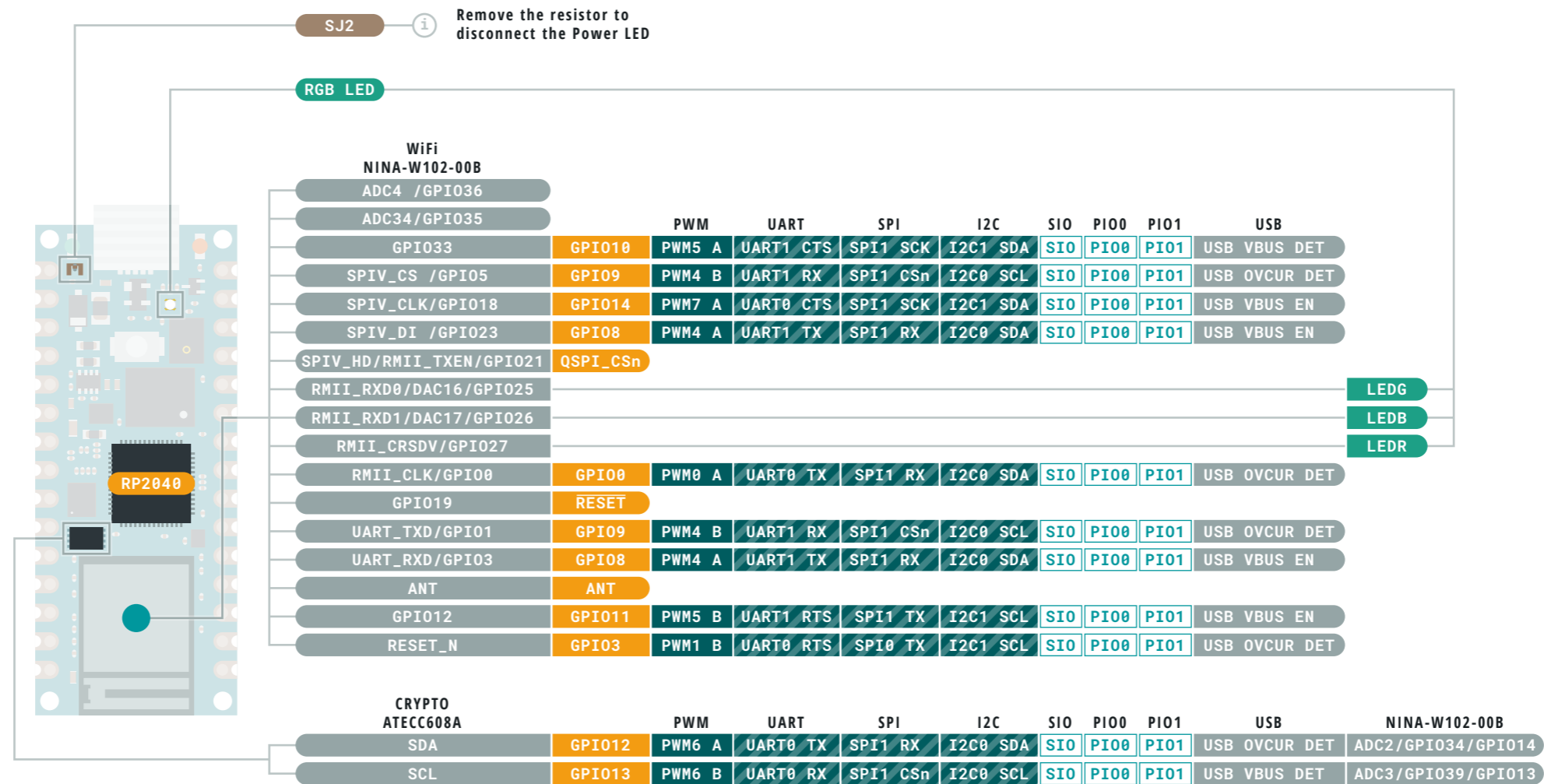


- Ground
- Power
- LED
- Internal Pin
- SWD Pin
- Digital Pin
- Analog Pin
- Other Pin
- Microcontroller's Port
- Default
- Analog
- Communication
- Timer
- GPIO

- ⚠ **MAXIMUM** I/O supply voltage is 3.63V
- ⚠ **MAXIMUM** GPIO input voltage is 3.3V
- ⚠ **MAXIMUM** sum of all current being sunk into GPIO and QSPI pins is 50mA

**VIN** Input voltage to the board.



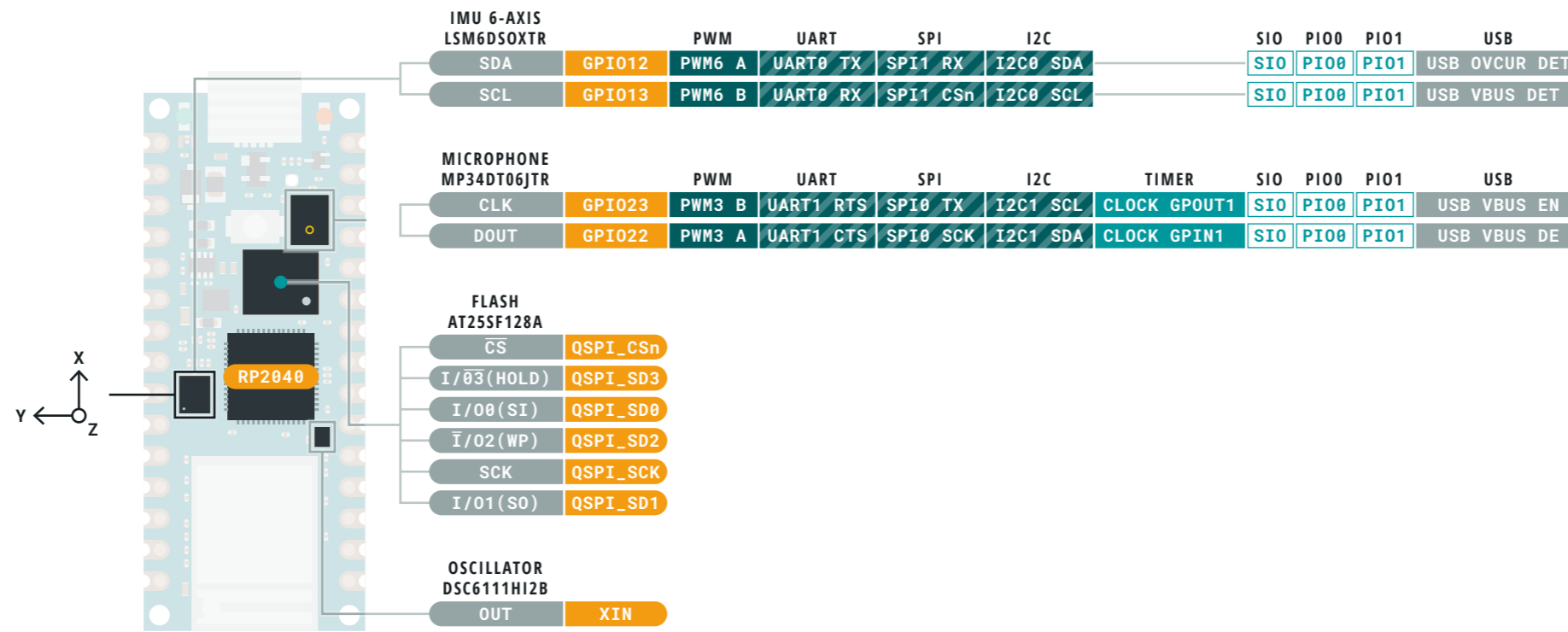


Ground	Digital Pin	Analog
Power	Analog Pin	Communication
LED	Other Pin	Timer
Internal Pin	Microcontroller's Port	GPIO
SWD Pin	Default	

- MAXIMUM** I/O supply voltage is 3.63V
- MAXIMUM** GPIO input voltage is 3.3V
- MAXIMUM** sum of all current being sunk into GPIO and QSPI pins is 50mA

**VIN** Input voltage to the board.



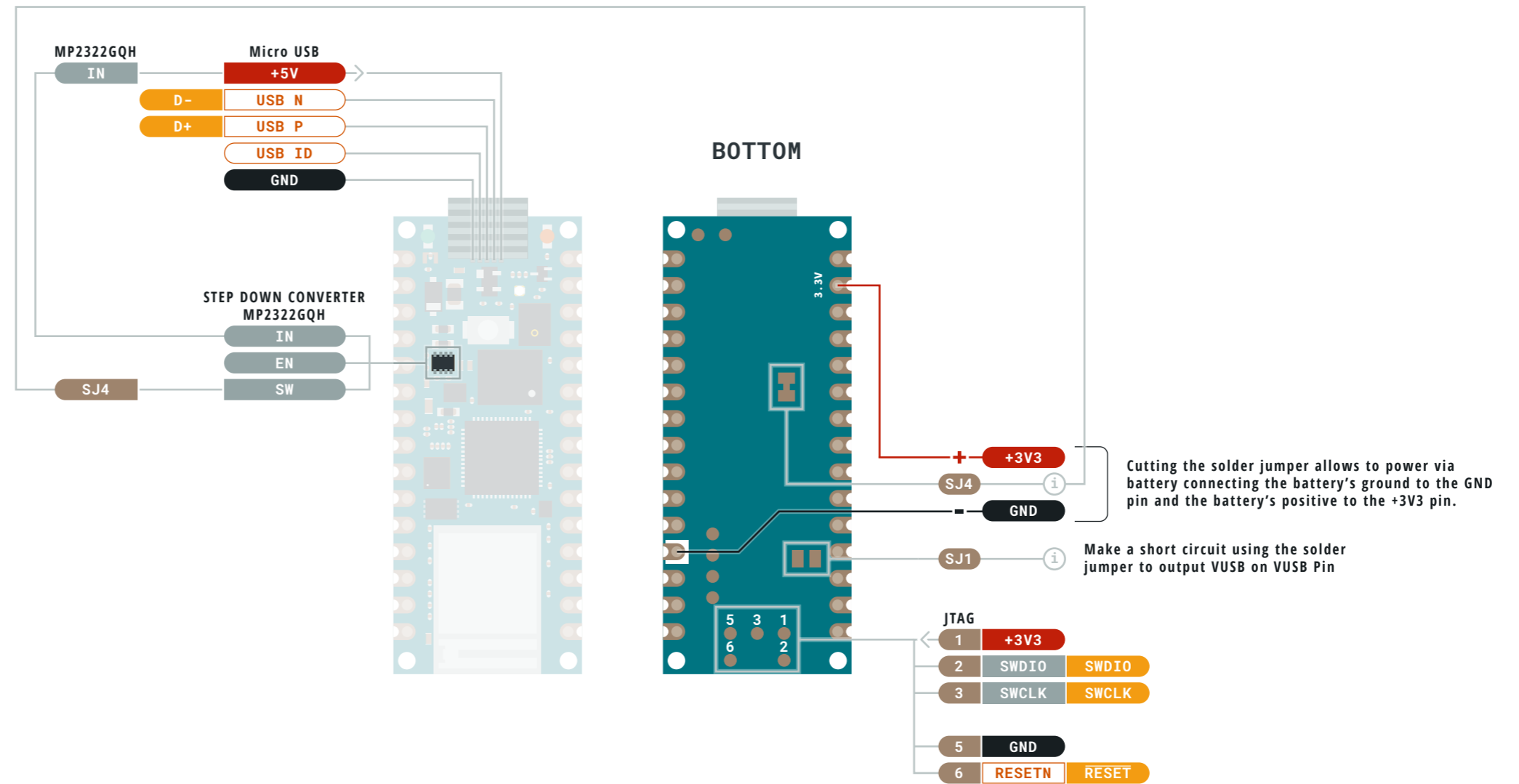


- Ground
- Power
- LED
- Internal Pin
- SWD Pin
- Digital Pin
- Analog Pin
- Other Pin
- Microcontroller's Port
- Default
- Analog
- Communication
- Timer
- GPIO

- ⚠ **MAXIMUM** I/O supply voltage is 3.63V
- ⚠ **MAXIMUM** GPIO input voltage is 3.3V
- ⚠ **MAXIMUM** sum of all current being sunk into GPIO and QSPI pins is 50mA

**VIN** Input voltage to the board.





- Ground
- Power
- LED
- Internal Pin
- SWD Pin
- Digital Pin
- Analog Pin
- Other Pin
- Microcontroller's Port
- Default

- ⚠ **MAXIMUM** I/O supply voltage is 3.63V
- ⚠ **MAXIMUM** GPIO input voltage is 3.3V
- ⚠ **MAXIMUM** sum of all current being sunk into GPIO and QSPI pins is 50mA

**VIN** Input voltage to the board.

