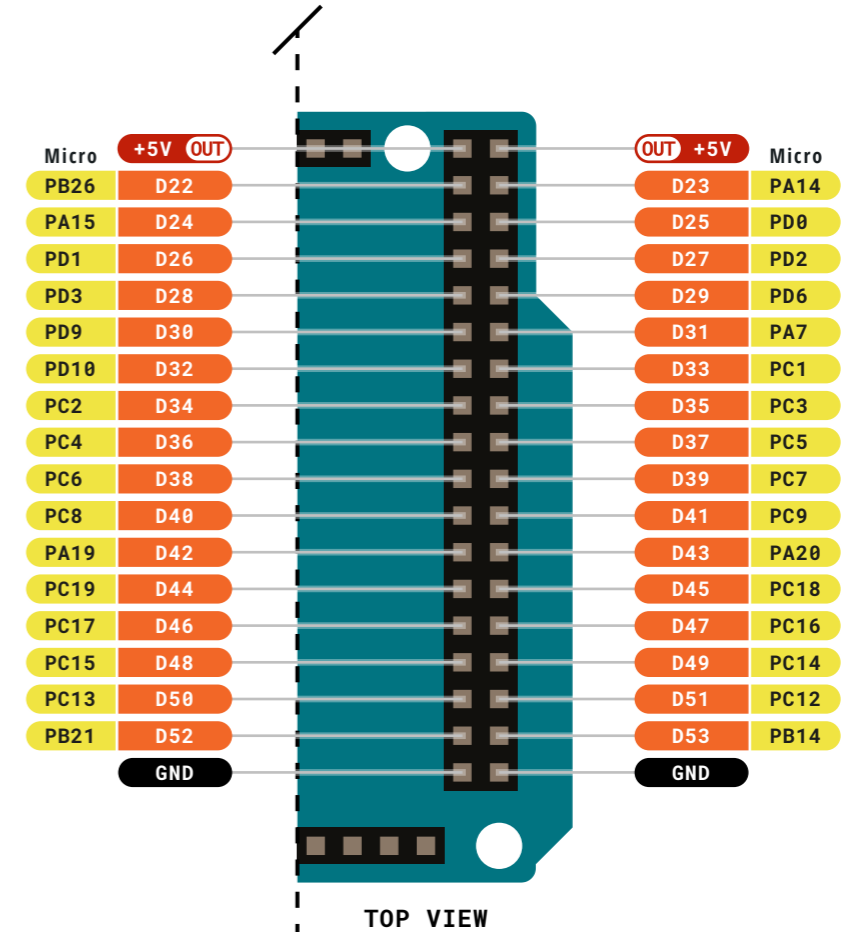
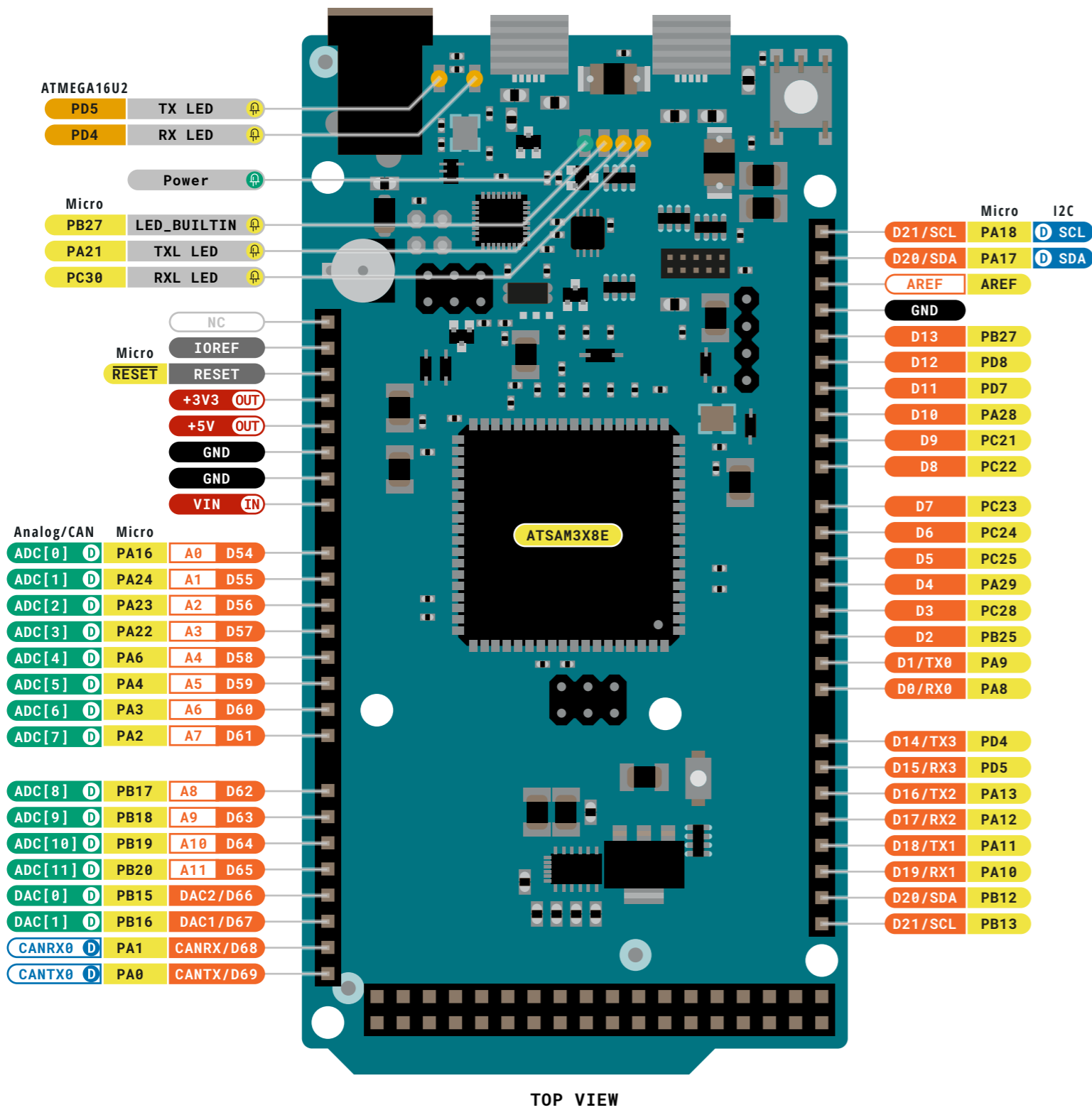


Digital pins D22-D53



Legend:

- Power
- Power Input
- Power Output
- Ground
- GPIO Digital External
- Analog External
- Main Part
- Secondary Part
- Internal Component
- Other Pins (Reset, System Control, Debugging)
- I2C
- SPI
- UART/USART
- Other SERIAL Communication
- Analog
- PWM/Timer
- Default
- Default
- Default
- Default
- LED

MAXIMUM current per I/O lines is 130mA

The ADC's channel 15 is not available because connected to the ATSAM3X8E temperature sensor

To check the maximum currents applicable per pins please see the documentation on [DOCS.ARDUINO.CC/HARDWARE/DUE](https://docs.arduino.cc/hardware/duel)

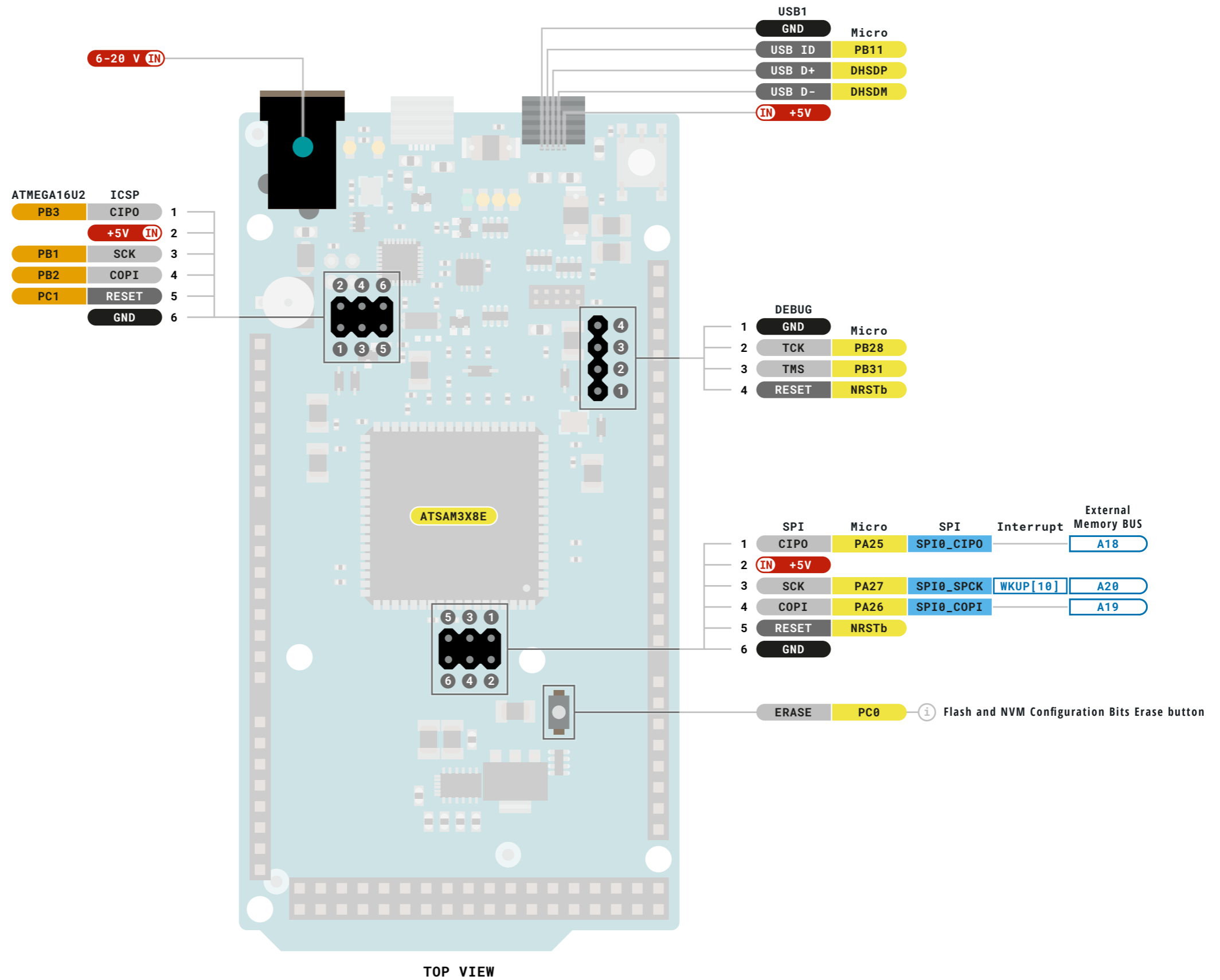
CIP0/COPI have previously been referred to as MISO/MOSI

ARDUINO DUE BOARD

SKU code: A000056
Full Pinout - Page 1 of 8
Last update: 29 Jun, 2022

DOCS.ARDUINO.CC

This work is licensed under the Creative Commons Attribution-ShareAlike 4.0 International License. To view a copy of this license, visit <http://creativecommons.org/licenses/by-sa/4.0/> or send a letter to Creative Commons, PO Box 1866, Mountain View, CA 94042, USA.



Legend:

- | | | | | | |
|--------|--------------|---|----------------------------|---------|-----|
| Power | Power Input | GPIO Digital External | I2C | Default | LED |
| Ground | Power Output | Analog External | SPI | Default | |
| | | Main Part | UART/USART | Default | |
| | | Secondary Part | Other SERIAL Communication | Default | |
| | | Internal Component | Analog | | |
| | | Other Pins (Reset, System Control, Debugging) | PWM/Timer | | |

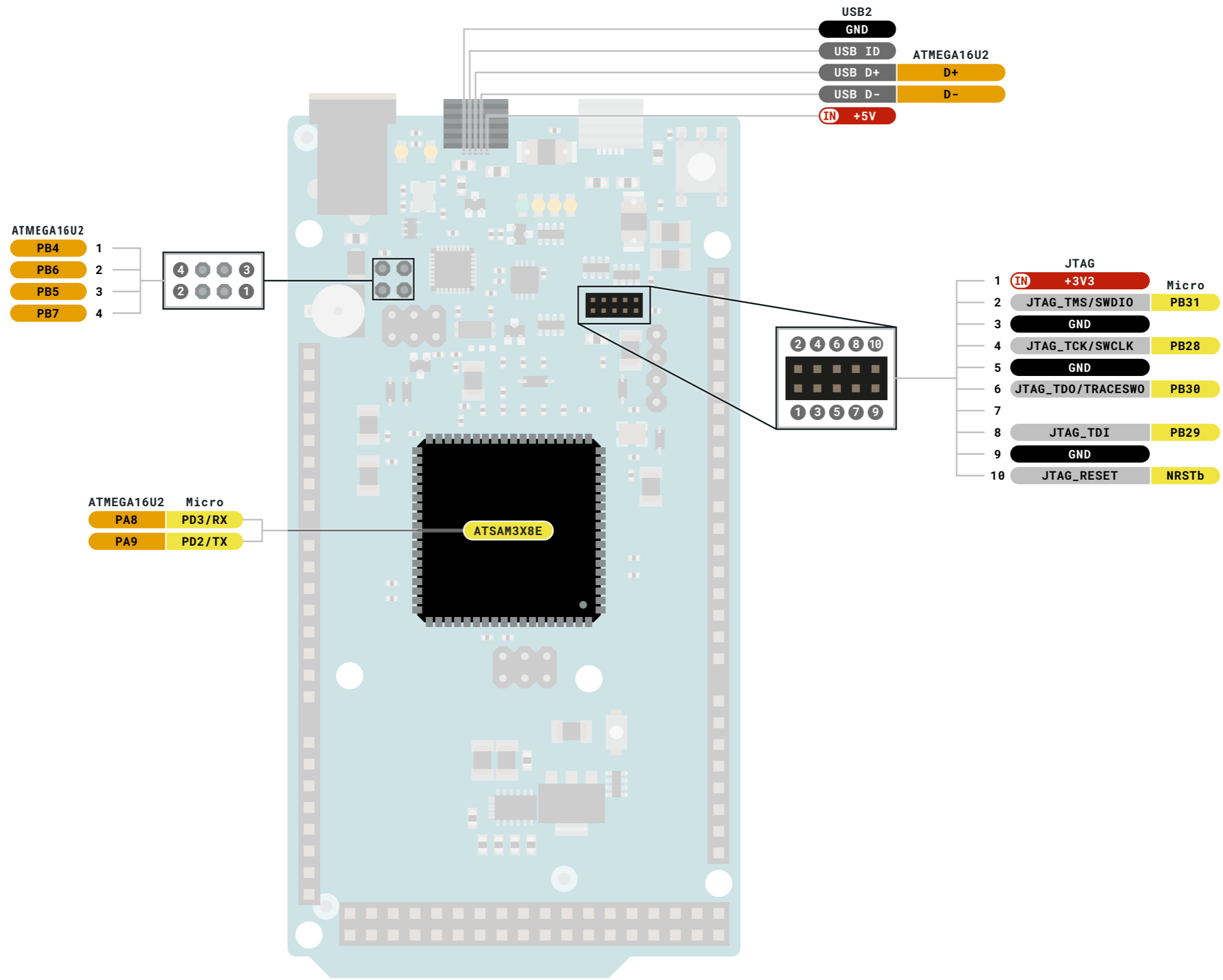
- MAXIMUM** current per I/O lines is 130mA
- The ADC's channel 15 is not available because connected to the ATSAM3X8E temperature sensor
- To check the maximum currents applicable per pins please see the documentation on [DOCS.ARDUINO.CC/HARDWARE/DUE](https://docs.arduino.cc/hardware/due)
- CIP0/COPI have previously been referred to as MISO/MOSI



SKU code: A000056
Full Pinout - Page 2 of 8
Last update: 29 Jun, 2022

DOCS.ARDUINO.CC

This work is licensed under the Creative Commons Attribution-ShareAlike 4.0 International License. To view a copy of this license, visit <http://creativecommons.org/licenses/by-sa/4.0/> or send a letter to Creative Commons, PO Box 1866, Mountain View, CA 94042, USA.



TOP VIEW

Legend:

- | | | | |
|--------|--------------|---|---------|
| Power | Power Input | GPIO Digital External | LED |
| Ground | Power Output | Analog External | RGB LED |
| | | Main Part | Other |
| | | Secondary Part | |
| | | Internal Component | |
| | | Other Pins (Reset, System Control, Debugging) | |

- MAXIMUM** current per I/O lines is 130mA
- The ADC's channel 15 is not available because connected to the ATSAM3X8E temperature sensor
- To check the maximum currents applicable per pins please see the documentation on [DOCS.ARDUINO.CC/HARDWARE/DUE](https://docs.arduino.cc/hardware/due)
- CIP0/COPI have previously been referred to as MISO/MOSI



SKU code: A000056
Full Pinout - Page 3 of 8
Last update: 29 Jun, 2022

DOCS.ARDUINO.CC

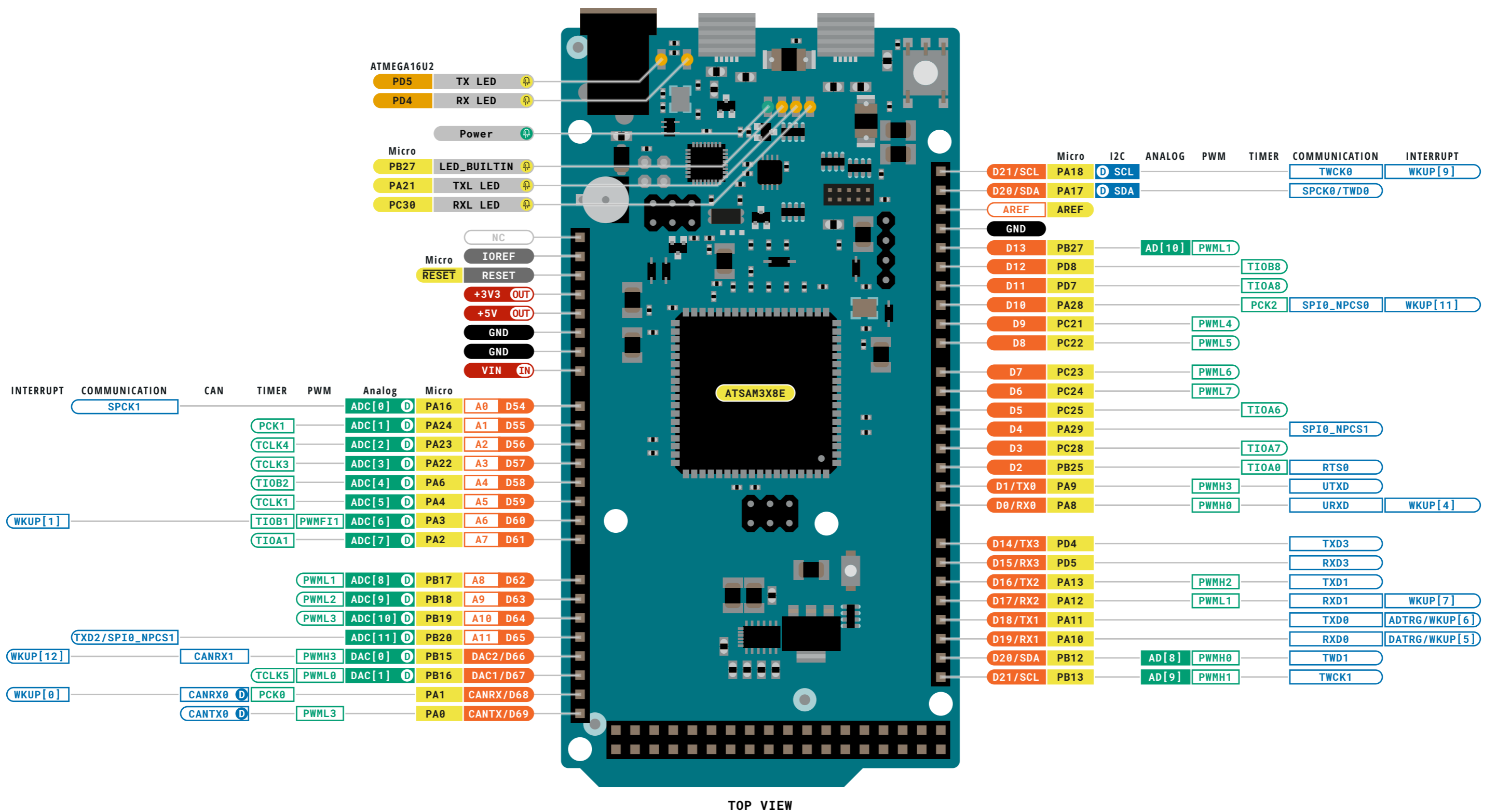
This work is licensed under the Creative Commons Attribution-ShareAlike 4.0 International License. To view a copy of this license, visit <http://creativecommons.org/licenses/by-sa/4.0/> or send a letter to Creative Commons, PO Box 1866, Mountain View, CA 94042, USA.

WARNING!

Advanced Section

The following information is for advanced use only and may not be officially supported by Arduino software





Legend:

- | | | | | | |
|---|--|--|--|---|--|
| ■ Power | IN Power Input | GPIO Digital External | I2C | D Default | ⚡ LED |
| Ground | OUT Power Output | Analog External | SPI | D Default | |
| | | Main Part | UART/USART | D Default | |
| | | Secondary Part | Other SERIAL Communication | D Default | |
| | | Internal Component | Analog | D Default | |
| | | Other Pins (Reset, System Control, Debugging) | PWM/Timer | | |

⚠️ MAXIMUM current per I/O lines is 130mA

ⓘ The ADC's channel 15 is not available because connected to the ATSAM3X8E temperature sensor

ⓘ To check the maximum currents applicable per pins please see the documentation on [DOCS.ARDUINO.CC/HARDWARE/DUE](https://docs.arduino.cc/hardware/duel)

ⓘ CIP0/COPI have previously been referred to as MISO/MOSI

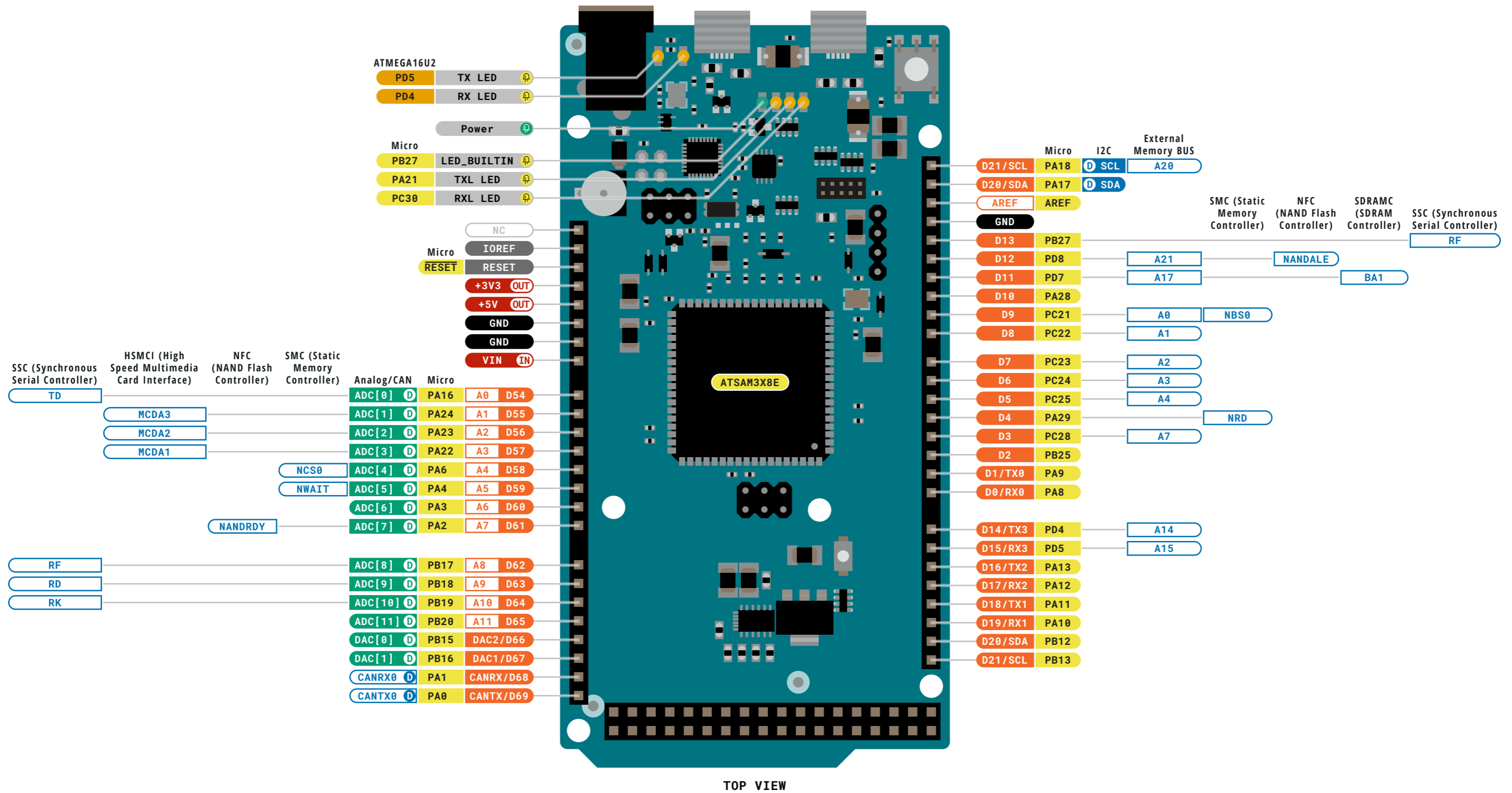
ARDUINO

DUE BOARD

SKU code: A000056
Full Pinout - Page 5 of 8
Last update: 29 Jun, 2022

DOCS.ARDUINO.CC

This work is licensed under the Creative Commons Attribution-ShareAlike 4.0 International License. To view a copy of this license, visit <http://creativecommons.org/licenses/by-sa/4.0/> or send a letter to Creative Commons, PO Box 1866, Mountain View, CA 94042, USA.



Legend:

- Power
- Power Input
- Power Output
- Ground
- GPIO Digital External
- Analog External
- Main Part
- Secondary Part
- Internal Component
- Other Pins (Reset, System Control, Debugging)
- I2C
- SPI
- UART/USART
- Other SERIAL Communication
- Analog
- PWM/Timer
- Default
- Default
- Default
- Default
- Default
- LED

MAXIMUM current per I/O lines is 130mA

The ADC's channel 15 is not available because connected to the ATSAM3X8E temperature sensor

To check the maximum currents applicable per pins please see the documentation on [DOCS.ARDUINO.CC/HARDWARE/DUE](https://docs.arduino.cc/hardware/due)

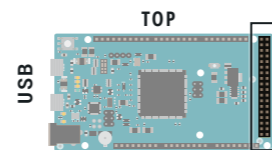
CIP0/COPI have previously been referred to as MISO/MOSI

ARDUINO DUE BOARD

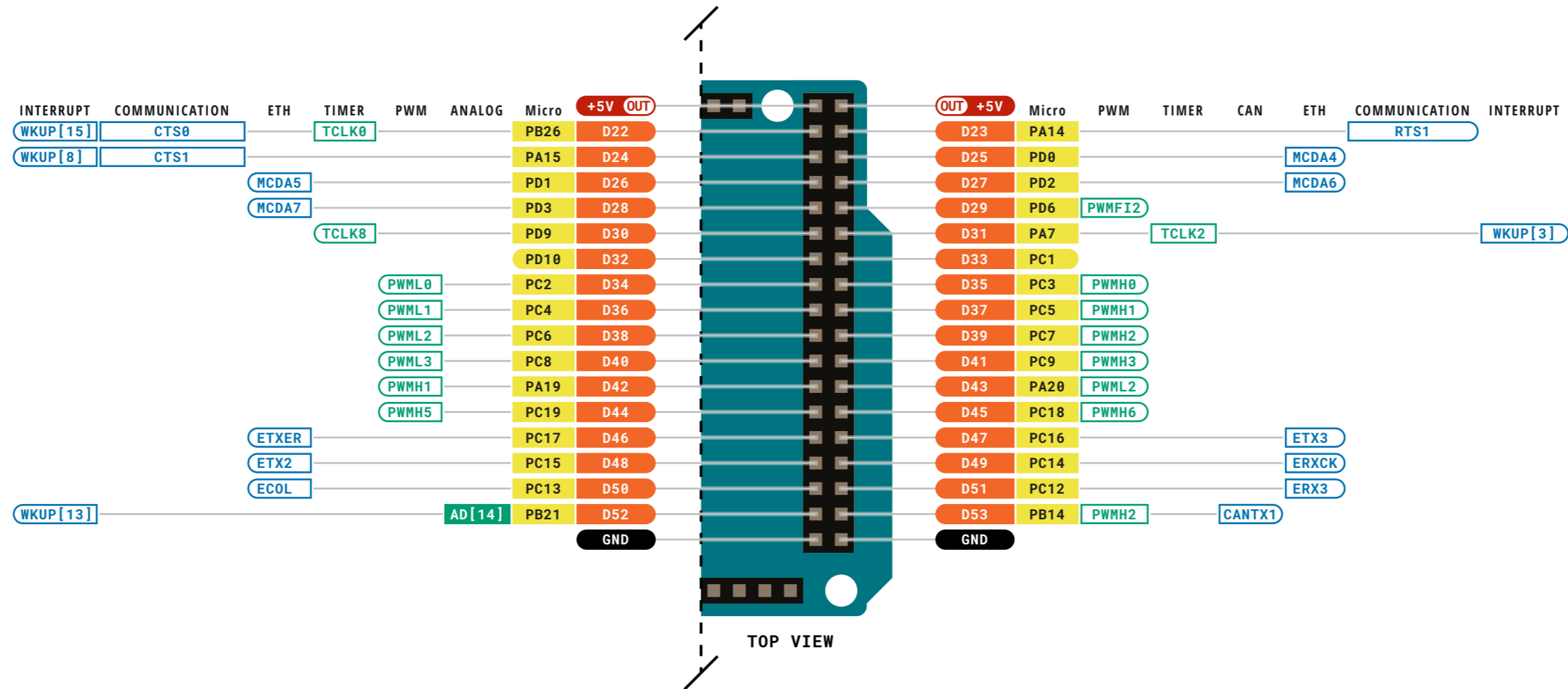
SKU code: A000056
Full Pinout - Page 6 of 8
Last update: 29 Jun, 2022

DOCS.ARDUINO.CC

This work is licensed under the Creative Commons Attribution-ShareAlike 4.0 International License. To view a copy of this license, visit <http://creativecommons.org/licenses/by-sa/4.0/> or send a letter to Creative Commons, PO Box 1866, Mountain View, CA 94042, USA.



Digital pins D22-D53



Legend:

- | | | | | | |
|--------|--------------|---|----------------------------|---------|-----|
| Power | Power Input | GPIO Digital External | I2C | Default | LED |
| Ground | Power Output | Analog External | SPI | Default | |
| | | Main Part | UART/USART | Default | |
| | | Secondary Part | Other SERIAL Communication | Default | |
| | | Internal Component | Analog | | |
| | | Other Pins (Reset, System Control, Debugging) | PWM/Timer | | |

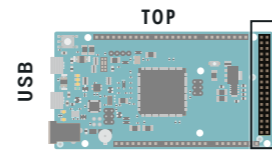
- MAXIMUM** current per I/O lines is 130mA
- The ADC's channel 15 is not available because connected to the ATSAM3X8E temperature sensor
- To check the maximum currents applicable per pins please see the documentation on [DOCS.ARDUINO.CC/HARDWARE/DUE](https://docs.arduino.cc/hardware/due)
- CIP0/COPI have previously been referred to as MISO/MOSI



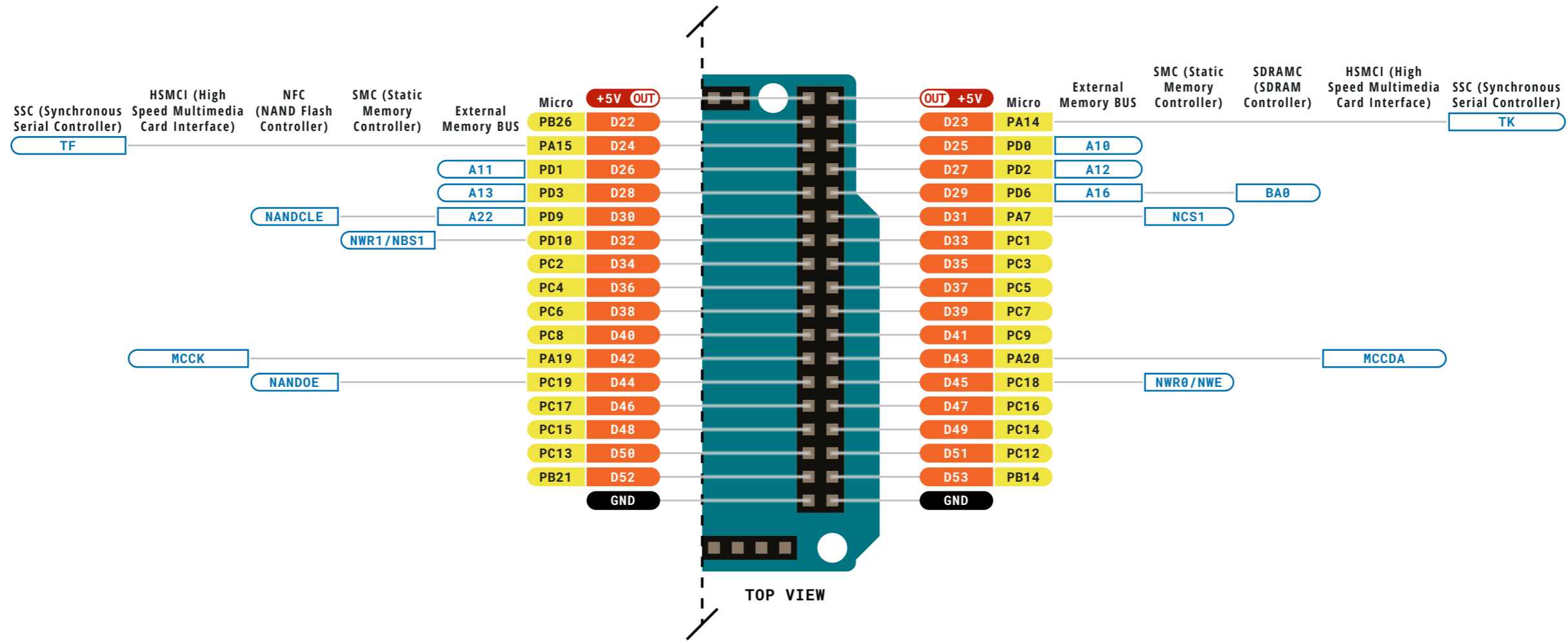
SKU code: A000056
Full Pinout - Page 7 of 8
Last update: 29 Jun, 2022

DOCS.ARDUINO.CC

This work is licensed under the Creative Commons Attribution-ShareAlike 4.0 International License. To view a copy of this license, visit <http://creativecommons.org/licenses/by-sa/4.0/> or send a letter to Creative Commons, PO Box 1866, Mountain View, CA 94042, USA.



Digital pins D22-D53



Legend:

Power	Power Input	GPIO Digital External	I2C	Default	LED
Ground	Power Output	Analog External	SPI	Default	
		Main Part	UART/USART	Default	
		Secondary Part	Other SERIAL Communication	Default	
		Internal Component	Analog	Default	
		Other Pins (Reset, System Control, Debugging)	PWM/Timer		

MAXIMUM current per I/O lines is 130mA

The ADC's channel 15 is not available because connected to the ATSAM3X8E temperature sensor

To check the maximum currents applicable per pins please see the documentation on [DOCS.ARDUINO.CC/HARDWARE/DUE](https://docs.arduino.cc/hardware/duel)

CIP0/COPI have previously been referred to as MISO/MOSI

ARDUINO DUE BOARD

SKU code: A000056
Full Pinout - Page 8 of 8
Last update: 29 Jun, 2022

DOCS.ARDUINO.CC

This work is licensed under the Creative Commons Attribution-ShareAlike 4.0 International License. To view a copy of this license, visit <http://creativecommons.org/licenses/by-sa/4.0/> or send a letter to Creative Commons, PO Box 1866, Mountain View, CA 94042, USA.