



# SE050

## Plug & Trust Secure Element

Rev. 3.3 — 1 July 2021  
504933

Product data sheet

## 1 Introduction

---

The SE050 is a ready-to-use IoT secure element solution. It provides a root of trust at the IC level and it gives an IoT system state-of-the-art, edge-to-cloud security capability right out of the box.

SE050 allows for securely storing and provisioning credentials and performing cryptographic operations for security critical communication and control functions. SE050 is versatile in IoT security use cases such as secure connection to public/private clouds, device-to-device authentication or protection of sensor data.

SE050 has an independent Common Criteria EAL 6+ security certification up to OS level and supports both RSA & ECC asymmetric cryptographic algorithms with high key length and future proof ECC curves. The latest security measures protect the IC even against sophisticated non-invasive and invasive attack scenarios.

The SE050 is a turnkey solution that comes with Java Card operating system and an applet optimized for IoT security use cases pre-installed. This is complemented by a comprehensive product support package, enabling fast time to market & easy design-in with Plug & Trust middleware for host applications, easy to use development kits, reference designs, and extensive documentation for product evaluation.

The SE050 is a product platform that comes in several pin-to-pin compatible product variants, see [\[4\]](#).

Additional information on the integration can be found in several application notes on the [NXP website](#). Also see [\[3\]](#).

For additional information on guidelines for the usability of SE050 and the security recommendations for using the module, see [\[5\]](#)

To implement inclusive language, the terms "master/slave" has been replaced by "controller/target", following the recommendation of MIPI.

### 1.1 SE050 use cases

- Secure connection to public/private clouds, edge computing platforms, infrastructure
- Device-to-device authentication
- Secure data protection
- Secure commissioning support
- Secure CL/MIFARE/Wi-Fi interactions
- Device ID for blockchain
- Secure key storage
- Secure provisioning of credentials
- Ecosystem protection



### 1.2 SE050 target applications

- Smart Industry
- Smart Home
- Smart Cities
- Smart Supply Chains

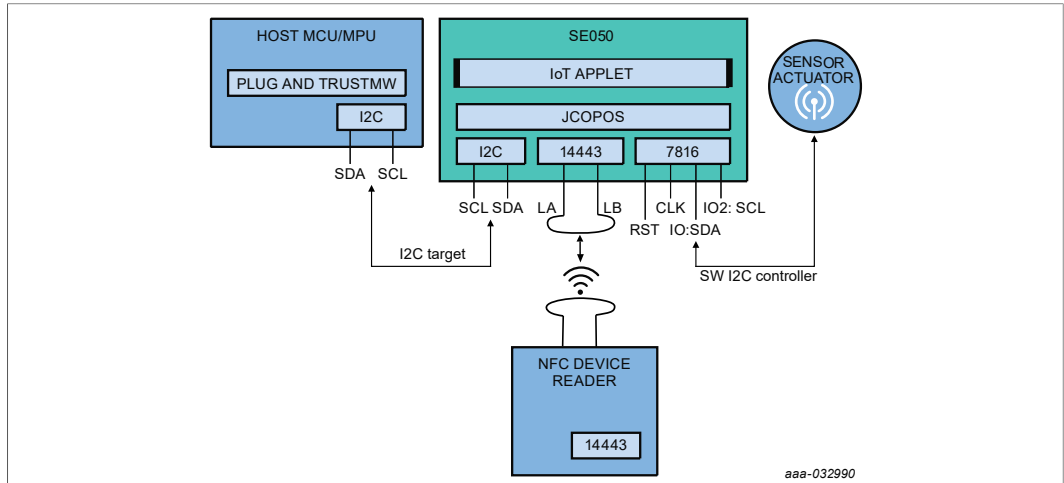


Figure 1. SE050 solution block diagram

**Note:** SE050 is designed to be used as a part of an IoT system. It works as an auxiliary security device attached to a host controller. The host controller communicates with SE050 through an I<sup>2</sup>C interface (with the host controller being the I<sup>2</sup>C controller and the SE050 being the I<sup>2</sup>C target). Besides the mandatory connection to the host controller, the SE050 device can optionally be connected to a sensor node or similar element through a separate I<sup>2</sup>C interface. In this case, the SE050 device is the I<sup>2</sup>C controller and the sensor node the I<sup>2</sup>C target. Lastly, SE050 has a connection for a native contactless antenna, providing a wireless interface to an external device like a smartphone.

### 1.3 SE050 naming convention

The following table explains the naming conventions of the commercial product name of the SE050 platform. Every SE050 product gets assigned a commercial name, which includes application specific data.

The SE050 commercial names have the following format.

**SE05yagddd/Zrfff**

All letters are explained in [Table 1](#).

Table 1. SE050 commercial name format

Variable	Meaning	Values	Description
y	JCOP version	0	
a	Applet Config	A B C D	Configuration options with different key provisioning options, see <a href="#">[4]</a>

Table 1. SE050 commercial name format...continued

Variable	Meaning	Values	Description
g	Temperature range	1 2	standard operational ambient temperature 1 = -25 °C - 85 °C , 2 = -40 °C - 105 °C
ddd	Delivery Type	HQ1	HX2QFN20
Zrff		Letters and numbers	NXP internal code to identify individual configurations

## 2 Features and benefits

### 2.1 Key benefits

- Plug & Trust for fast and easy design with complete product support package
- Easy integration with different MCU & MPU platforms and OS (Linux, RTOS, Windows, Android, etc.)
- Turnkey solution ideal for system-level security without the need to write security code
- Secure credential injection for root of trust at IC level
- Secure, zero-touch connectivity to public & private clouds
- Real end-to-end security, from sensor to cloud
- Ready-to-use example code for each of the key use cases

### 2.2 Key features

The SE050 is based on NXP's Integral Security Architecture 3.0™ providing a secure and efficient protection against various security threats. The efficiency of the security measures is proven by a Common Criteria EAL6+ certification.

The SE050 operates fully autonomously based on an integrated Javacard operating system and applet. Direct memory access is possible by the fixed functionalities of the applet only. With that, the content from the memory is fully isolated from the host system.

- Built on NXP Integral Security Architecture 3.0™
- Uses advanced 40 nm silicon foundry technology
- CC EAL 6+ and SESIP4 certified HW and OS as environment to run NXP IoT applications, supporting fully encrypted communications and secured lifecycle management
- FIPS 140-2 certified platform with Security Level 3 for OS and Applet, and Security Level 4 related to Physical Security of the HW
  - Disclaimer: FIPS certification require a specific product type. For more information, refer to [\[4\]](#).
- Effective protection against advanced attacks, including Power Analysis and Fault Attacks of various kinds
- Multiple logical and physical protection layers, including metal shielding, end-to-end encryption, memory encryption, tamper detection
- Support for RSA and ECC asymmetric cryptography algorithms, future proof curves and high key length, e.g. Brainpool, Edwards and Montgomery curves
- Support for AES and DES symmetric cryptographic algorithms for encryption and decryption

- Support for AES Modes: CBC, ECB, CTR
- HMAC, CMAC, SHA-1, SHA-224/256/384/512 operations
- Various options for key derivation functions, including HKDF, MIFARE KDF, PRF (TLS-PSK)
- Optional extended temperature range for industrial applications (-40 °C to +105 °C)
- Small footprint HX2QFN20 package (3x3 mm)
- Standard physical interface I<sup>2</sup>C target (High-speed mode, 3.4 Mbps), I<sup>2</sup>C controller (Fast mode, 400 kbps). Both can be active at the same time
- Dedicated CL wireless interface for IoT use cases simplifying configuration set-up, maintenance in the field and late stage configuration
- Secured user flash memory up to 50 kB for secure data or key storage
- Support for SCP03 protocol (bus encryption and encrypted credential injection) to securely bind the host with the secure element
- Support for applet level secure messaging channels to allow end-to-end encrypted communication in multi-tenant ecosystems

### 2.3 Features in detail

Table 2. Feature Overview

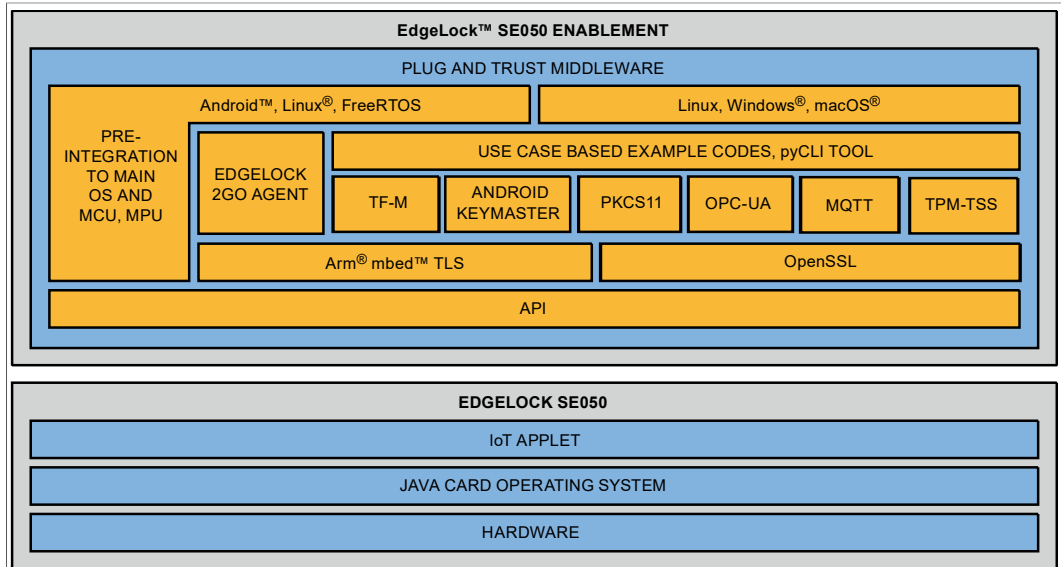
Categories	Subcategory	Value
Standards	Security certification	CC EAL6+ (HW+JCOP), FIPS 140-2 L3, SESIP4
	JavaCard version	3.0.5
	GlobalPlatform specification version	GP 2.3.1
Cryptography	ECC	ECDSA, ECDH, ECDHE, ECDA, EdDSA
	MAC	HMAC, secure HMAC, CMAC
	Hash	SHA-1, SHA-224, SHA-256, SHA-384, SHA-512
	Key derivation	HKDF, PBKDF2, PRF (TLS-PSK), MIFARE-AES-KDF
	AES	AES (128, 192, 256)
	AES Modes	CBC, ECB, CTR
	3DES	2K, 3K
	RSA	RSA cipher for de-/encryption (up to 4096 bit)
Crypto curves	ECC	ECC NIST (192 to 521 bit)
		Brainpool (160 to 512 bit)
		Twisted Edwards Ed25519 / Montgomery Curve25519
		Koblitz (192 to 256 bit)
		Barreto-Naehrig Curve 256 bit
User memory		50 kB
Memory reliability		up to 100 Mio write cycles / 25 years
Interfaces	I <sup>2</sup> C Target	High-speed mode (3.4 Mbps)

Table 2. Feature Overview...continued

Categories	Subcategory	Value
	I <sup>2</sup> C Controller	Fast Mode (400 kbit/s)
	Contactless	ISO14443-A PICC
Power saving modes	Power-Down (with state retention)	< 500µA
	Deep Power-Down (no state retention)	<5 µA
Temperature	Standard	-25 - 85 °C, see <a href="#">Naming Conventions</a>
	Extended	-40 - +105 °C, see <a href="#">Naming Conventions</a>
Packaging	Plastic QFN	3x3 mm (HX2QFN20)

### 3 Functional description

#### 3.1 Functional diagram



aaa-034211

Figure 2. SE050 functional diagram - example Open SSL

The SE050 uses I<sup>2</sup>C as communication interface. [Section 4](#) gives more details. The SE050 commands are wrapped using the Smartcard T=1 over I<sup>2</sup>C (T=1o I<sup>2</sup>C) protocol. The detailed documentation of the SE050 commands (see [\[3\]](#)) and T=1 over I<sup>2</sup>C protocol encapsulation is available on [\[1\]](#).

In order to simplify the product usage a host library which abstracts for SE050 commands and T=1 over I<sup>2</sup>C protocol encapsulation is provided. The host library supporting various platforms is available for download including complete source code on the SE050 website.

SE050 IoT applet features a generic file system capable of securely storing secure objects and associated privilege management. All objects can either be stored in persistent memory or in RAM with the capability to securely export and import them to be stored in an externally provided storage. All secure objects feature basic file operations such as write, read, delete and update.

##### 3.1.1 Random number generator

The SE050 IoT Applet provides random numbers using an AIS20 compliant pseudo random number generator (PRNG) with class DRG.3 generator initialized by a TRNG compliant to AIS31 class PTG.2. The PRNG is implemented according to NIST SP800-90A.

##### 3.1.2 Supported secure object types

A secure object is an entry in the file system of SE050. Each secure object has certain features and capabilities. The following secure object types are available (for more details on the objects refer to [\[3\]](#)):

- Symmetric Key (AES, 3DES)
- ECC Key
- RSA Key
- HMAC Key
- Binary File
- User ID
- Counter
- Hash-Extend register

### 3.1.3 Access control

Each secure object can be linked to object specific access control policies. An access control policy associates a user identified by an authentication with a set of privileges such as read, write, ...

To scale the functionality into a broad range of ecosystems, a set of different authentication options is provided:

- User-ID based authentication
- Symmetric key based authentication with secure messaging
- Asymmetric key based authentication with secure messaging

At creation of a secure object, an optional set of policies is associated with that secure object. Each policy assigns a set of allowed operations on that object to an authentication object.

### 3.1.4 Sessions and multi-threading

The SE050 IoT applet is prepared for ecosystems where multi-threading and multi-tenant use cases are needed on APDU level. To enable that, the applet supports 2 simultaneous sessions that can span full secure messaging sessions, self-authenticated APDUs for tenants not requiring long-lasting sessions and on top one default session for single tenant use cases .

### 3.1.5 Attestation and trust provisioning

SE050 applet comes with a set of trust provisioned root credentials allowing the owner of the device to securely attest all generated secure keys. Next to that, a customer has the possibility to define own attestation keys.

Attestation certificates signed by an attestation CA are included in certain SE050 configurations as documented in [\[4\]](#).

### 3.1.6 Application support

For specific ecosystems, SE050 IoT applet has built-in crypto features to simplify the deployment of specific use cases such as

- MIFARE SAM functionality
- Wifi password protection
- ECC-Key and RSA-Key based cloud connectivity
- Secure Sensor readout using I<sup>2</sup>C controller
- Remote attestation and trust provisioning
- Platform Configuration Registers

### 3.2 Credential Storage & Memory

Within SE050, all credentials and secure objects are stored inside a dynamic file structure. At creation, a user has to associate a file identifier with the object created. This identifier is then used in subsequent operations to access the object. The number of objects that can be allocated is only limited by the available memory in the system. After usage, objects can be deleted and the associated memory is freed up again.

There is also the possibility to create transient objects. Transient objects have an object descriptor stored in non-volatile memory, but the object content is stored in RAM. Together with the import/export functionality of SE050, transient objects can be used securely store secret keys in a remote memory system.

### 3.3 Preprovisioned "Ease of Use" configurations

Some generic SE050 variants are offered pre-configured for ease of use and can be used during development phase and in the field. With this customers have all keys pre-injected in SE050 that are required for the main use cases as e.g. cloud onboarding. For more information, see: [\[4\]](#)

### 3.4 Startup behaviour

If a supply voltage is applied to pins  $V_{in}$ ,  $V_{cc}$  within the specified supply voltage operating range or a RF field according to ISO/IEC 14443 is applied to antenna pins LA, LB the IC boots up.

During boot the IC checks for active interface according list below (in the order of the list):

- ISO7816: If interface available for this product type, check CLK to be toggling, then wait for RST to be high
- ISO14443: If interface available for this product type, check of RF field on LA, LB antenna pins
- I<sup>2</sup>C: If interface available for this product type, check if both I<sup>2</sup>C\_SDA, I<sup>2</sup>C\_SCL pins are at high level (internal weak pull-up active)
- The chosen interface is the only interface the SE050 will receive commands for processing. To select a different interface the IC needs to be reset.

## 4 Communication interfaces

### 4.1 I<sup>2</sup>C Interfaces

The SE050 has one I<sup>2</sup>C interface supporting target and one I<sup>2</sup>C interface supporting controller mode.

The I<sup>2</sup>C target interface is the main communication interface of the device and is used by the host controller to send arbitrary APDUs to the device. It supports clock frequencies up to 3.4 MHz when operated in High-Speed Mode (HS). The I<sup>2</sup>C interface is using the Smartcard T=1 over I<sup>2</sup>C protocol.

The default target address of the SE050 is configured to 0x48.



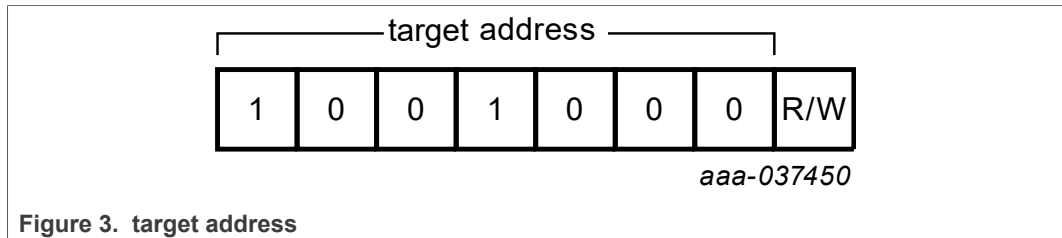


Figure 3. target address

The I<sup>2</sup>C controller interface is supposed to be used with target devices that need to be securely written and read. This interface features a maximum SCL clock rate of 400 kHz.

#### 4.1.1 Supported I<sup>2</sup>C frequencies

The SE050 I<sup>2</sup>C target interface supports the I<sup>2</sup>C high-speed mode with a maximum SCL clock of up to 3.4 MHz when clock stretching is enabled.

In case clock stretching is disabled the maximum supported SCL clock frequency is 1.7 MHz.

Clock stretching is enabled by default. Clock stretching will occur for frequencies higher than 600 kHz. In case clock stretching is not supported by the I<sup>2</sup>C controller a dedicated configuration with disabled clock stretching has to be used to ensure the above mentioned maximum clock frequency.

The SE050 I<sup>2</sup>C controller interface supports maximum 400 kHz SCL clock frequency.

## 4.2 ISO7816 and ISO14443 Interface

The SE050 supports in addition to the I<sup>2</sup>C interface ISO7816<sup>1</sup> and ISO14443-A Smartcard interfaces. For the ISO7816 interface SmartCard protocols T=0 and T=1 are supported. For the ISO14443 interface protocol T=CL is used. The supported resonance input capacitance is 56 pF. In addition one additional GPIO pad IO2 is supported.

The RST\_N pin can only be used as external reset source if the ISO7816 interface is enabled. If only the I<sup>2</sup>C interface is enabled the RST\_N pad has no effect. If the SE050 is kept in reset state the current consumption is as defined for idle, see [Table 12](#).

## 5 Power-saving modes

The device provides two power-saving operation modes. The Power-down mode (with state retention) and the Deep Power-down mode (no state retention). These modes are activated via pad ENA (Deep Power-down mode) or by the SW (Power-down mode).

### 5.1 Power-down mode

The Power-down mode has the following properties:

- All internal clocks are frozen
- CPU enters power-saving mode with program execution being stopped
- CPU registers keep their contents
- RAM keeps its contents

<sup>1</sup> ISO7816 is not enabled in generic SE050 configurations (see [\[4\]](#), AN12436) but available on customer request.

The SE050 enters into Power-down mode by receiving "End of APDU session request" via the T=1 over I<sup>2</sup>C protocol. In Power-down mode, all internal clocks are frozen. The IOs hold the logical states they had at the time Power-down mode was activated.

To exit from the Power-down mode an external interrupt edge must be triggered by a falling edge on I<sup>2</sup>C\_SDA<sup>2</sup>.

## 5.2 Deep Power-down mode

The SE050 provides a special power-saving mode offering maximum power saving. This mode is activated by pulling enable PIN (ENA) to a logic zero level.

While in Deep Power-down mode the internal power and V<sub>OUT</sub> is switched off completely and only the I<sup>2</sup>C pads stay supplied.

To leave the Deep Power-down mode pad ENA has to be pulled up to a logic „1" level.

For usage of Deep Power-down mode the SE050 must be supplied via pin V<sub>IN</sub> and pin V<sub>CC</sub> needs to be supplied by pin V<sub>OUT</sub>.

## 6 Ordering information

### 6.1 Ordering options

Table 3. SE050 Ordering information

12NC	Type number	SE050 Variant	Orderable part number
9353 867 22472	SE050A1HQ1/Z01SG	SE050A1	SE050A1HQ1/Z01SGZ
9353 869 84472	SE050A2HQ1/Z01SH	SE050A2	SE050A2HQ1/Z01SHZ
935401587472	SE050D2HQ1/Z01PA	SE050D2	SE050D2HQ1/Z01PAZ
9353 869 85472	SE050B1HQ1/Z01SE	SE050B1	SE050B1HQ1/Z01SEZ
9353 869 86472	SE050B2HQ1/Z01SF	SE050B2	SE050B2HQ1/Z01SFZ
9353 869 87472	SE050C1HQ1/Z01SC	SE050C1	SE050C1HQ1/Z01SCZ
9353 869 88472	SE050C2HQ1/Z01SD	SE050C2	SE050C2HQ1/Z01SDZ
9354 284 44472	SE050F2HQ1/Z018H	SE051F2	SE050F2HQ1/Z018HZ

Table 4. SE050 Ordering information for development kit

12NC	Type number	Description
9353 832 82598	OM-SE050ARD	SE050 Arduino-compatible development kit , SE050C configuration

### 6.2 Ordering SE050 samples

Samples can be ordered from NXP Semiconductors via [nxp.com](http://nxp.com) using the "Buy Direct" button on the product information page for SE050. Note that NXP Semiconductors

<sup>2</sup> In case ISO7816 is enabled a reset signal on RST\_N exits the Power-down mode. After wake-up from Power-down mode via RST\_N the device is in idle mode (see [Table 12](#))

can provide up to five pieces free of charge. Larger quantities have to be ordered commercially.

### 6.3 Configuration

Detailed information about the configuration and available variants of the SE050 are available in a separate NXP Application Note, see [\[4\]](#)

## 7 Pinning information

### 7.1 Pinning

#### 7.1.1 Pinning HX2QFN20

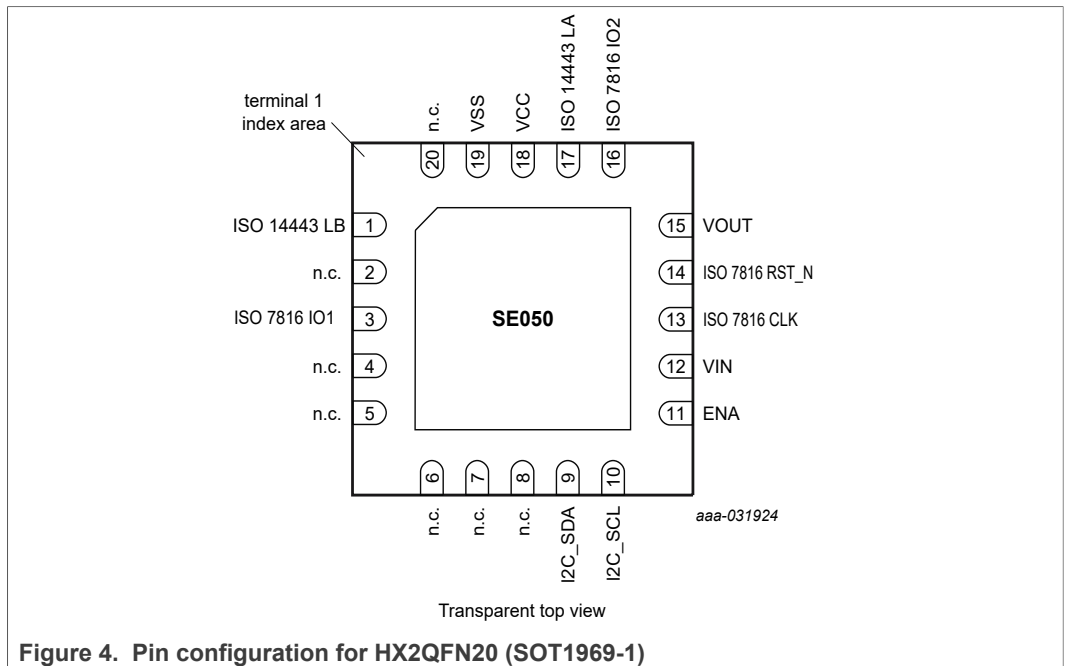


Figure 4. Pin configuration for HX2QFN20 (SOT1969-1)

**Note:** Terminal 1 index area is marked on the bottom with a notch on the center pad and on the top with a printed dot.

Table 5. Pin description HX2QFN20

Symbol	Pin	Description
ISO 14443 LB	1	ISO14443 Antenna Connection, if not used connect to $V_{SS}$
n.c.	2	not connected
ISO 7816 IO1	3	ISO 7816 IO or I <sup>2</sup> C controller SDA, if not used n.c (recommended) or connect to $V_{CC}$
n.c.	4	not connected
n.c.	5	not connected
n.c.	6	not connected
n.c.	7	not connected
n.c.	8	not connected
I <sup>2</sup> C_SDA	9	I <sup>2</sup> C target data, if not used n.c.
I <sup>2</sup> C_SCL	10	I <sup>2</sup> C target clock, if not used n.c.
ENA	11	Deep Power-down mode enable, if not used then connect to $V_{CC}$
$V_{IN}$	12	power supply voltage input for I <sup>2</sup> C pads and ISO 7816/14443 interface and logic supply in case Deep Power-down mode is used

Table 5. Pin description HX2QFN20...continued

Symbol	Pin	Description
ISO 7816 CLK	13	ISO 7816 clock input, if not used then n.c (recommended) or connect to V <sub>CC</sub>
ISO 7816 RST_N	14	ISO 7816 reset input low active, if not used then connect to V <sub>CC</sub> or V <sub>SS</sub>
V <sub>OUT</sub>	15	supply voltage output to be connected with pad V <sub>CC</sub> on PCB level, if Deep Power-down mode is used. N. c. if not used.
ISO 7816 IO2	16	ISO7816 IO2 pad or I <sup>2</sup> C controller SCL. I if not used n.c (recommended) or connect to V <sub>OUT</sub> .
ISO 14443 LA	17	ISO14443 antenna connection, if not used then connect to V <sub>SS</sub>
V <sub>CC</sub>	18	logic and ISO7816/ISO14443 interface power supply voltage input, to be connected with pad V <sub>OUT</sub> on PCB level, if Deep Power-down mode to be used
V <sub>SS</sub>	19	ground
n.c.	20	not connected

The center pad of the IC is not connected, although it is recommended to connect it to ground for thermal reasons.

Reference voltage for ISO 1816 IO1, CLK, RST is V<sub>CC</sub>; for I<sup>2</sup>C SDL and SCL reference voltage is V<sub>IN</sub> and for IO2 it is V<sub>OUT</sub>.

## 8 Package

SE050 is offered in HX2QFN20 package. The dimensions are 3 mm x 3 mm x 0,32 mm with a 0,4 mm pitch.

Please refer to the package data sheet [\[2\]](#), SOT1969-1.

## 9 Marking

Table 6. Marking codes

Type number	Marking code
Sx050...	Line A: S50 Line B: **** (**** = 4-digit Batch code) Line C: nDyww D: RHF-2006 indicator n: Assembly Center Y: Year WW: Week

## 10 Packing information

### 10.1 Reel packing

The SE050 product is available in tape on reel.

Table 7. Reel packing options

Symbol	Parameter	Numbers of units per reel
HX2QFN20	7" tape on reel	3000

## 11 Electrical and timing characteristics

The electrical interface characteristics of static (DC) and dynamic (AC) parameters for pads and functions used for I<sup>2</sup>C are in accordance with the NXP I<sup>2</sup>C specification (see [1]).

## 12 Limiting values

Table 8. Limiting values

In accordance with the Absolute Maximum Rating System (IEC 60134). Voltages are referenced to V<sub>SS</sub> (ground = 0 V).

Symbol	Parameter	Conditions	Min	Max	Unit
V <sub>IN</sub> , V <sub>CC</sub>	supply voltage		-0.3	+6 [1]	V
V <sub>I</sub>	input voltage	any signal pad	-0.3	+6	V
I <sub>I</sub>	input current	pad I <sup>2</sup> C_SDA, I <sup>2</sup> C_SCL	-	10	mA
I <sub>O</sub>	output current	pad I <sup>2</sup> C_SDA, I <sup>2</sup> C_SCL	-	10	mA
I <sub>lu</sub>	latch-up current	V <sub>I</sub> < 0 V or V <sub>I</sub> > V <sub>IN</sub> , V <sub>CC</sub>	-	100	mA
V <sub>esd_hbm</sub>	electrostatic discharge voltage (Human Body Model)	pads V <sub>CC</sub> , V <sub>SS</sub> , RST_N, I <sup>2</sup> C_SDA, I <sup>2</sup> C_SCL, IO1, IO2, CLK	[2]	± 2.0	kV
V <sub>esd_cdm</sub>	electrostatic discharge voltage (Charge Device Model)	pads V <sub>CC</sub> , V <sub>SS</sub> , RST_N, I <sup>2</sup> C_SDA, I <sup>2</sup> C_SCL, IO1, IO2, CLK	[3]	± 500	V
P <sub>tot</sub>	Total power dissipation		[4]	600	mW
T <sub>stg</sub>	Storage temperature		-55	+125	°C

[1] Maximum supported supply voltage is 6 V. The SE050 is characterized for the specified operating supply voltage range of 1.62 V to 3.6 V. In case of supply voltages above 3.6 V, Deep Power-down mode current <5 µA is not guaranteed.

[2] MIL Standard 883-D method 3015; human body model; C = 100 pF, R = 1.5 kΩ; T<sub>amb</sub> = -40 °C to +105 °C.

[3] JESD22-C101, JEDEC Standard Field induced charge device model test method.

[4] Depending on appropriate thermal resistance of the package.

## 13 Recommended operating conditions

The SE050 is characterized by its specified operating supply voltage range of 1.62 V to 3.6 V.

Table 9. Recommended operating conditions

Symbol	Parameter	Conditions	Min	Typ	Max	Unit
V <sub>IN</sub> , V <sub>CC</sub>	Supply voltage	Nominal supply voltage	1.62	1.8	3.6 [1]	V

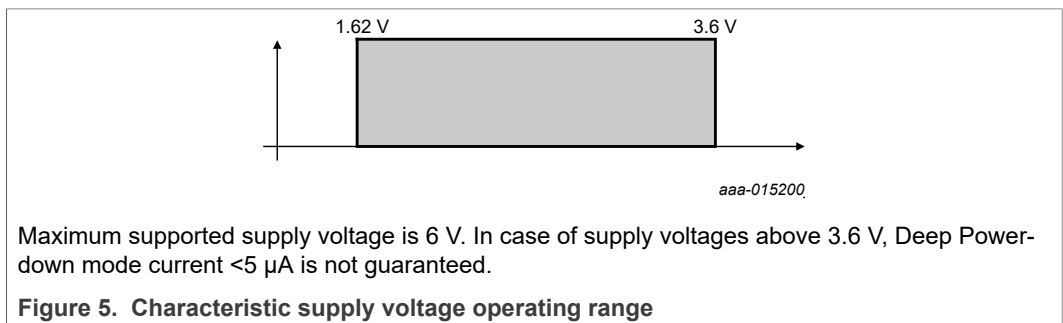
Table 9. Recommended operating conditions...continued

Symbol	Parameter	Conditions	Min	Typ	Max	Unit
$V_I$	DC input voltage on digital inputs and digital I/O pads	-	-0.3		$V_{CC}/V_{IN}$ <sup>[2]</sup> +0.3	V
H	Field strength	Contactless interface operation	1.5		7.5	A/m
$T_{amb}$	Operating ambient temperature <sup>[3]</sup>		-40		+105	°C

[1] Maximum supported supply voltage is 6 V. In case of supply voltages above 3.6 V, Deep Power-down mode current <5 µA is not guaranteed.

[2] IO1, CLK, RST has  $V_{CC}$  as reference, SDA, SCL, IO2 and ENA has  $V_{IN}$  as reference

[3] All product properties and values specified within this data sheet are only valid within the operating ambient temperature range.



## 14 Characteristics

### 14.1 DC characteristics

#### Measurement conventions

Testing measurements are performed at the contact pads of the device under test. All voltages are defined with respect to the ground contact pad  $V_{SS}$ . All currents flowing into the device are considered positive.

#### 14.1.1 General and General Purpose I/O interface

Table 10. Electrical DC characteristics of Input/Output: IO1/IO2. Conditions:  $V_{CC} = 1.62\text{ V to }3.6\text{ V}$  (see ;  $V_{SS} = 0\text{ V}$ ;  $T_{amb} = -40\text{ °C to }+105\text{ °C}$ , unless otherwise specified

In Table 10  $V_{CC}$  means for IO1 voltage on  $V_{CC}$  pin, for IO2 voltage on  $V_{IN}$  pin

Maximum supported supply voltage is 6 V. In case of supply voltages above 3.6 V, Deep Power-down mode current <5 µA is not guaranteed.

Symbol	Parameter	Conditions	Min	Typ	Max	Unit
$V_{IH}$	HIGH level input voltage		$0.7 V_{CC}$		$V_{CC} + 0.3$	V
$V_{IL}$	LOW level input voltage		-0.3		$0.25 V_{CC}$	V
$I_{IH}$	HIGH level input current in "weak pull-up" input mode	$0.7 V_{CC} \leq V_I \leq V_{CC}$ Test conditions for the maximum absolute value: $I_{IH(max)}: V_I = 0.7 V_{CC}, V_{CC} = V_{CC(max)}$			-20	µA

**Table 10. Electrical DC characteristics of Input/Output: IO1/IO2. Conditions:  $V_{CC} = 1.62\text{ V to }3.6\text{ V}$  (see ;  $V_{SS} = 0\text{ V}$ ;  $T_{amb} = -40\text{ °C to }+105\text{ °C}$ , unless otherwise specified...continued**

In [Table 10](#)  $V_{CC}$  means for IO1 voltage on  $V_{CC}$  pin, for IO2 voltage on  $V_{IN}$  pin

Maximum supported supply voltage is 6 V. In case of supply voltages above 3.6 V, Deep Power-down mode current <5  $\mu\text{A}$  is not guaranteed.

Symbol	Parameter	Conditions	Min	Typ	Max	Unit
$I_{IL}$	LOW level input current	$0\text{ V} \leq V_I \leq 0.3 V_{CC}$ ; Test conditions for the maximum absolute value: $I_{IL(max)}: V_I = 0\text{ V}, V_{CC} = V_{CC(max)}$			-50	$\mu\text{A}$
$I_{TL}$	HIGH-to-LOW transition input current (only "quasi-bidirectional" mode)	$0.3 V_{CC} < V_I \leq V_{CC}$ ; Test conditions for the maximum absolute value: $V_I = 0.5 V_{CC}, V_{CC} = V_{CC(max)}$	[1]		-250	$\mu\text{A}$
$I_I$	Input current in "weak pull-up" input mode	$0\text{ V} \leq V_I \leq V_{CC}$ ; Test conditions for the maximum absolute value: $I_{I(max)}: V_I = 0\text{ V}, V_{CC} = V_{CC(max)}$	0		-50	$\mu\text{A}$
$I_{ILIH}$	Leakage input current at input voltage beyond $V_{CC}$ in "weak pull-up" input mode	$V_{CC} < V_I \leq V_{CC} + 0.3\text{ V}$ ; $-40\text{ °C} \leq T_{amb} \leq +105\text{ °C}$ ; Test conditions: $V_I = V_{CC} + 0.3\text{ V}$ ; $V_{CC} = V_{CC(max)} T_{amb} = +105\text{ °C}$			20	$\mu\text{A}$
$I_{ILIL}$	Leakage input current at input voltage below $V_{SS}$ in "weak pull-up" input mode	$-0.3\text{ V} \leq V_I < 0\text{ V}$ ; $-40\text{ °C} \leq T_{amb} \leq +30\text{ °C}$ Test conditions: $V_I = -0.3\text{ V}$ ; $V_{CC} = V_{CC(max)} T_{amb} = +30\text{ °C}$			-50	$\mu\text{A}$
		$-0.3\text{ V} \leq V_I < 0\text{ V}$ ; $+30\text{ °C} \leq T_{amb} \leq +105\text{ °C}$ Test conditions: $V_I = -0.3\text{ V}$ ; $V_{CC} = V_{CC(max)} T_{amb} = +105\text{ °C}$			-1000	$\mu\text{A}$
$I_{ILIHQ}$	Leakage input current at input voltage beyond $V_{CC}$ (only in "quasi-bidirectional" mode)	$V_{CC} < V_I \leq V_{CC} + 0.3\text{ V}$ ; $-40\text{ °C} \leq T_{amb} \leq +105\text{ °C}$ Test conditions: $V_I = V_{CC} + 0.3\text{ V}; V_{CC} = V_{CC(max)}$ ; $T_{amb} = +105\text{ °C}$			100	$\mu\text{A}$



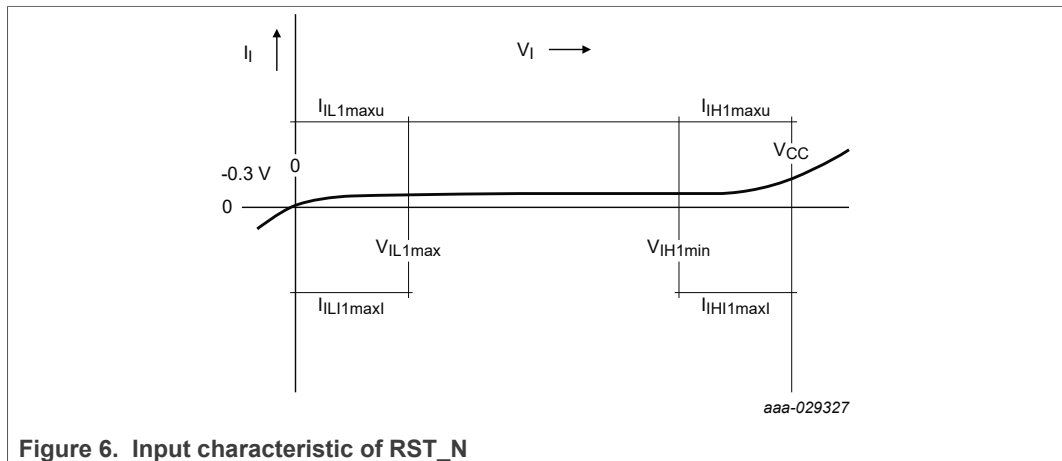
**Table 10. Electrical DC characteristics of Input/Output: IO1/IO2. Conditions:  $V_{CC} = 1.62\text{ V}$  to  $3.6\text{ V}$  (see ;  $V_{SS} = 0\text{ V}$ ;  $T_{amb} = -40\text{ }^{\circ}\text{C}$  to  $+105\text{ }^{\circ}\text{C}$ , unless otherwise specified...continued**

In [Table 10](#)  $V_{CC}$  means for IO1 voltage on  $V_{CC}$  pin, for IO2 voltage on  $V_{IN}$  pin

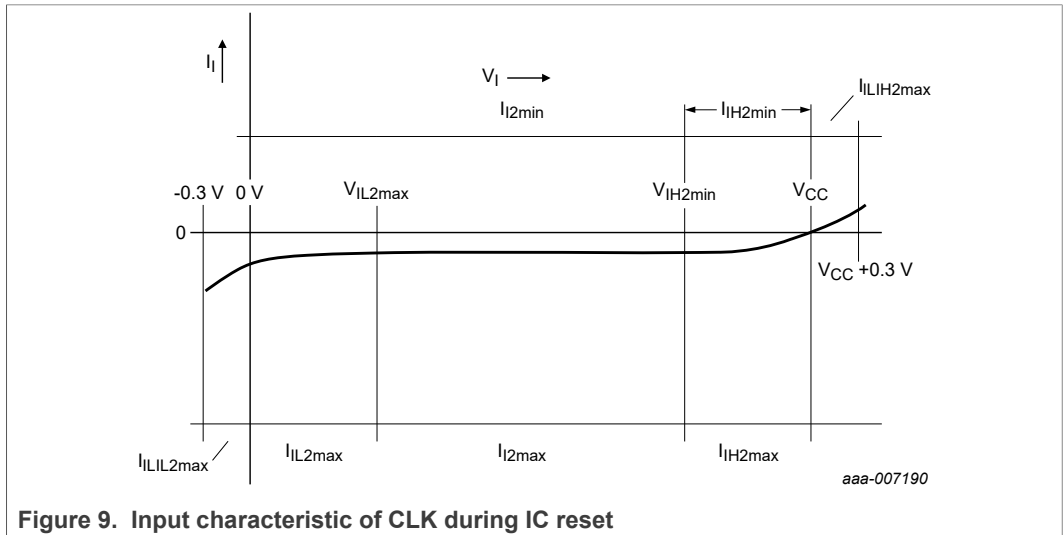
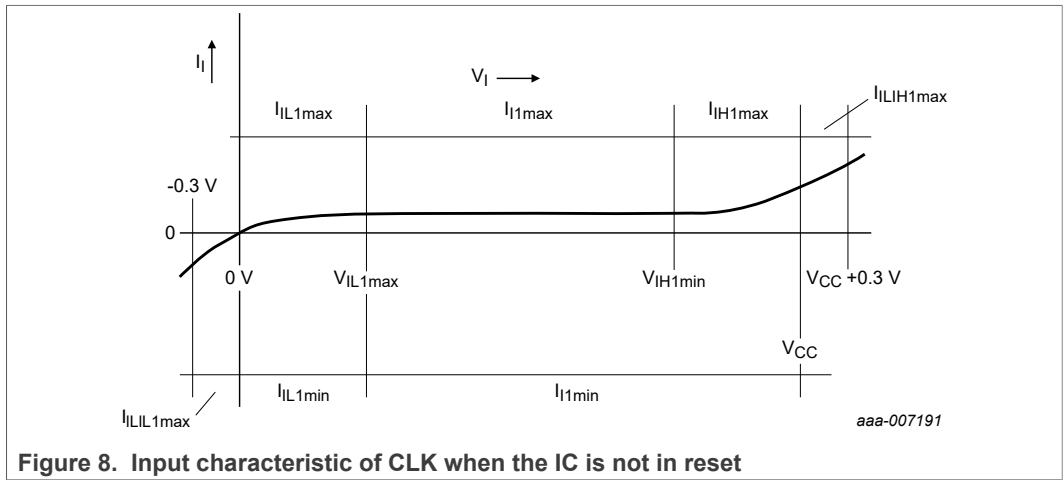
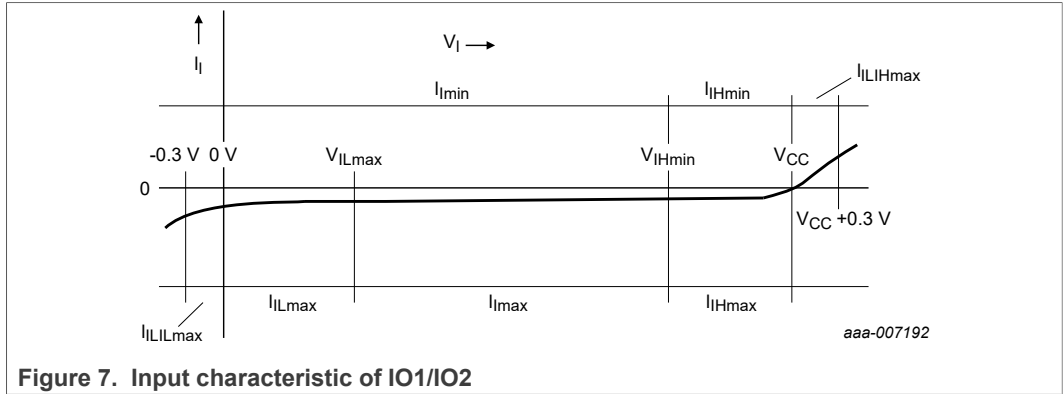
Maximum supported supply voltage is 6 V. In case of supply voltages above 3.6 V, Deep Power-down mode current  $<5\text{ }\mu\text{A}$  is not guaranteed.

Symbol	Parameter	Conditions	Min	Typ	Max	Unit
$I_{LILQ}$	Leakage input current at input voltage below $V_{SS}$ (only in "quasi-bidirectional" mode)	$-0.3\text{ V} \leq V_I < 0\text{ V}$ ; $-40\text{ }^{\circ}\text{C} \leq T_{amb} \leq +30\text{ }^{\circ}\text{C}$ Test conditions: $V_I = -0.3\text{ V}$ ; $V_{CC} = V_{CC(max)}$ $T_{amb} = +30\text{ }^{\circ}\text{C}$			-120	$\mu\text{A}$
		$-0.3\text{ V} \leq V_I < 0\text{ V}$ ; $+30\text{ }^{\circ}\text{C} \leq T_{amb} \leq +105\text{ }^{\circ}\text{C}$ Test conditions: $V_I = -0.3\text{ V}$ ; $V_{CC} = V_{CC(max)}$ $T_{amb} = +105\text{ }^{\circ}\text{C}$			-1000	$\mu\text{A}$
$V_{OH}$	HIGH level output voltage	$I_{OH} = -20\text{ }\mu\text{A}$ ;	[2]	$0.7 V_{CC}$		V
$V_{OL}$	LOW level output voltage	$I_{OL} = 1.0\text{ mA}$ $I_{OL} = 0.5\text{ mA}$			0.3 $0.15 V_{CC}$	V

- [1] IO1/IO2 source a transition current when being externally driven from HIGH to LOW. This transition current ( $I_{TL}$ ) reaches its maximum value when the input voltage  $V_I$  is approximately  $0.5 V_{CC}$ . Current IIL is tested at input voltage  $V_I = 0.3\text{ V}$ .
- [2] External pull-up resistor  $20\text{ k}\Omega$  to  $V_{CC}$  assumed. The worst case test condition for parameter  $V_{OH}$  is present at minimum  $V_{CC}$ .



**Figure 6. Input characteristic of RST\_N**



### 14.1.2 I<sup>2</sup>C Interface

**Table 11. Electrical DC characteristics of I<sup>2</sup>C pads SDA, SCL. Conditions: V<sub>CC</sub>, V<sub>IN</sub> = 1.62 V to 3.6 V; V<sub>SS</sub> = 0 V; T<sub>amb</sub> = -40 °C to +105 °C, unless otherwise specified\***

Maximum supported supply voltage is 6 V. In case of supply voltages above 3.6 V, Deep Power-down mode current <5 µA is not guaranteed.

SCL, SDA pads are in open-drain mode.

Symbol	Parameter	Conditions	Min	Typ	Max	Unit
V <sub>IH</sub>	HIGH level input voltage		0.7 V <sub>IN</sub>		V <sub>IN</sub> + 0.3	V
V <sub>IL</sub>	LOW level input voltage		-0.3		0.25 V <sub>IN</sub>	V
V <sub>HYS</sub>	Input hysteresis voltage	-	0.081 V			V
V <sub>OL(OD)</sub>	Low level output voltage (open-drain mode)	I <sub>OL</sub> = 3.0 mA	0		0.4	V
I <sub>OL(OD)</sub>	Low level output current (open-drain mode)	V <sub>OL</sub> = 0.6 V	0.6			mA
I <sub>WPU</sub>	weak pull-up current	V <sub>IO</sub> = 0 V	-265	-180	-70	µA
I <sub>ILIH</sub>	Leakage input current high level	V <sub>SDA</sub> = 3.6 V, V <sub>SCL</sub> = 3.6 V		0.27	15	µA

### 14.1.3 Power consumption

**Table 12. Electrical characteristics of IC supply voltage V<sub>CC</sub>; V<sub>SS</sub> = 0 V; T<sub>amb</sub> = -40 °C to +105 °C**

Symbol	Parameter	Conditions	Min	Typ	Max	Unit
<b>Supply</b>						
V <sub>CC</sub>	supply voltage range	V <sub>CC</sub> = 1.62 - 3.6 V	1.62	1.80	3.6	V
operating mode: Idle mode						
I <sub>DD</sub> <sup>[1]</sup>	operating mode: typical CPU					
	no coprocessor active	f <sub>CPU</sub> = 48 MHz, f <sub>MST</sub> = 96 MHz		4.4	7	mA
	AES coprocessor active (AES 48 MHz)	CPU in idle mode		6.5	7.5	mA
	Public Key cryptography Coprocessor active (96 MHz)	CPU in idle mode		14.4	16.1	mA
	DES coprocessor active (DES 48 MHz)	CPU in idle mode		6.5	7.6	mA
I <sub>DD</sub> (PD-ISO7816)	supply current Power-down mode (ISO7816 clock-stop)	V <sub>CCmin</sub> ≤ V <sub>CC</sub> ≤ V <sub>CCmax</sub> ; Clock to input CLK stopped, T <sub>amb</sub> = 25 °C		430	480	µA
I <sub>DDD</sub> (DPD)	supply current Deep Power-down mode	V <sub>CCmin</sub> ≤ V <sub>IN</sub> ≤ V <sub>CCmax</sub> ; T <sub>amb</sub> = 25 °C		3	5	µA
I <sub>DD</sub> (PD-I2C)	supply current I <sup>2</sup> C Power-down mode (I <sup>2</sup> C wake-up source)	V <sub>CCmin</sub> ≤ V <sub>CC</sub> ≤ V <sub>CCmax</sub> ; Clock to input SCL stopped, T <sub>amb</sub> = 25 °C SDA, SCL pads in pull-up Typical value with V <sub>CC</sub> = 1.8 V		450	500	µA

[1] Maximum current consumption with concurrent AES and Public Key Cryptography 19 mA.

### 14.2 AC characteristics

**Table 13. Non-volatile memory timing characteristics**

Conditions:  $V_{CC} = 1.62\text{ V to }3.6\text{ V}$ ;  $V_{SS} = 0\text{ V}$ ;  $T_{amb} = -40\text{ °C to }+105\text{ °C}$ , unless otherwise specified.

Symbol	Parameter	Conditions	Min	Typ <sup>[1]</sup>	Max	Unit
$t_{EEP}$	FLASH erase + program time		[2]	2.3		ms
$t_{EEE}$	FLASH erase time			0.9		ms
$t_{EEW}$	FLASH program time			1.4		ms
$t_{EER}$	FLASH data retention time	$T_{amb} = +55\text{ °C}$	25			years
$N_{EEC}$	FLASH endurance (maximum number of programming cycles applied to the whole memory block performed by NXP static and dynamic wear leveling algorithm)		$20 \times 10^6$	$100 \times 10^6$		cycles

[1] Typical values are only referenced for information. They are subject to change without notice.

[2] Given value specifies physical access times of FLASH memory only.

**Table 14. Electrical AC characteristics of I<sup>2</sup>C\_SDA, I<sup>2</sup>C\_SCL, and RST\_N<sup>[1]</sup>;  $V_{CC} = 1.8\text{ V} \pm 10\%$  or  $3\text{ V} \pm 10\%$ ;  $V_{SS} = 0\text{ V}$ ;  $T_{amb} = -40\text{ °C to }+105\text{ °C}$**

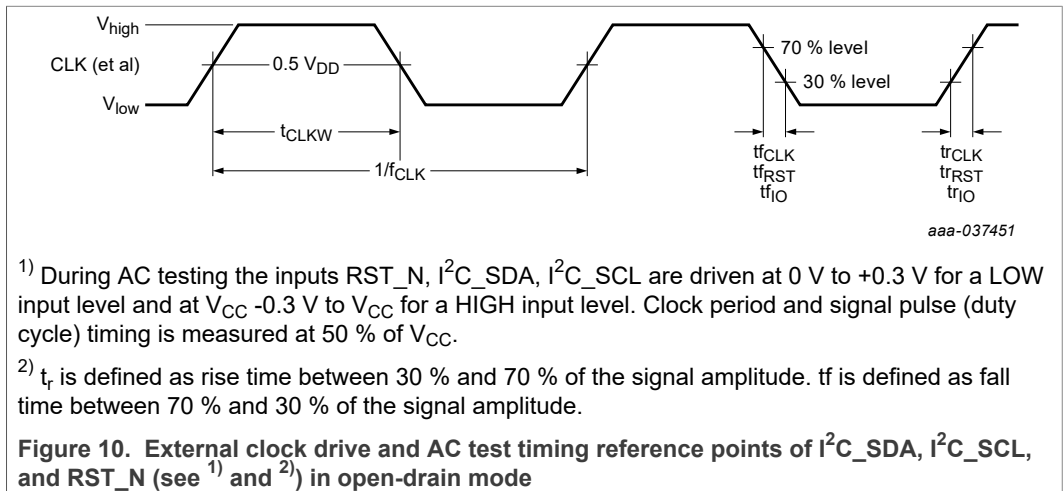
SCL, SDA pads in open-drain mode.

Symbol	Parameter	Conditions	Min	Typ	Max	Unit
<b>Input/Output: I<sup>2</sup>C_SDA, I<sup>2</sup>C_SCL in open-drain mode</b>						
$t_{rIO}$	I/O Input rise time	Input/reception mode	[2]		1	µs
$t_{fIO}$	I/O Input fall time	Input/reception mode	[2]		1	µs
$t_{fOIO}$	I/O Output fall time	Output/transmission mode; $C_L = 30\text{ pF}$	[2]		0.3	µs
$f_{CLK}$	External clock frequency in I <sup>2</sup> C applications	$t_{CLKW}$ , $T_{amb}$ and $V_{CC}$ in their specified limits	-		3.4	MHz
$t_{PD}$	Power down duration time (I <sup>2</sup> C wake-up)	CPU clock = 48 MHz	[3]	67		µs
$t_{WKPD}$	Wake-up from power down duration time (I <sup>2</sup> C wake-up)	CPU clock = 48 MHz	[4]	97		µs
$C_{PIN}$	Pin capacitances RST_N, I <sup>2</sup> C_SDA, I <sup>2</sup> C_SCL	Test frequency = 1 MHz; $T_{amb} = 25\text{ °C}$	-		10.5	pF
$t_{ENalt}$	ENA low time and Vout, V <sub>CC</sub> low time for entering deep power down mode		[5]	2		µs
$R_{on}$	Resistance of power switch	$T_{amb}=105\text{ °C}$ , $I_{load}=25\text{ mA}$ , $V_{in}=1.62\text{ V}$			1.1	Ohm
$I_{out}$	maximum current driving capability of pin V <sub>out</sub>	$T_{amb}=105\text{ °C}$			25	mA
<b>Inputs: RST_N (active only if ISO7816 UART interface is enabled)</b>						

**Table 14. Electrical AC characteristics of I<sup>2</sup>C\_SDA, I<sup>2</sup>C\_SCL, and RST\_N<sup>[1]</sup>; V<sub>CC</sub> = 1.8 V ± 10 % or 3 V ± 10 % V; V<sub>SS</sub> = 0 V; T<sub>amb</sub> = -40 °C to + 105 °C...continued**  
*SCL, SDA pads in open-drain mode.*

Symbol	Parameter	Conditions	Min	Typ	Max	Unit
t <sub>RW</sub>	Reset pulse width (RST_N low) without entering Power-down mode		40		400	µs
t <sub>RDSL</sub>	Reset pulse width (RST_N low) to enter Power-down mode		500			µs
t <sub>WKP</sub>	Wake-up time from Power-down mode	f <sub>CLKmin</sub> < f <sub>CLK</sub> < f <sub>CLKmax</sub>	-	8	10	µs
t <sub>WKPIO</sub>	Pad LOW time for wake-up from Power-down mode	level triggered ext.int.	-	8	10	µs
		edge triggered ext.int.	-	8	10	µs
t <sub>WKPRST</sub>	RST_N LOW time for wake-up from Power-down mode		40		-	µs
C <sub>PIN</sub>	Pin capacitances RST_N, I <sup>2</sup> C_SDA, I <sup>2</sup> C_SCL	Test frequency = 1 MHz; T <sub>amb</sub> = 25 °C	-		10.5	pF

- [1] All appropriately marked values are typical values and only referenced for information. They are subject to change without notice.
- [2] t<sub>r</sub> is defined as rise time between 30 % and 70 % of the signal amplitude.  
t<sub>f</sub> is defined as fall time between 70 % and 30 % of the signal amplitude.
- [3] Wakeup from power down: if clock stretching disabled and I<sup>2</sup>C\_SCL=400 kHz; the wakeup time will not be sufficient under the rare condition where host sends the first command during the time where SE is just entering power down; in this case the SE will send an R block to request retransmission from the host
- [4] Wakeup from power down: if clock stretching disabled and I<sup>2</sup>C\_SCL=1 MHz; the wakeup time will not be sufficient to receive the first host command; the SE will send an R block to request retransmission from the host
- [5] Low glitches below 0.4 V on pin ENA and Vin, V<sub>out</sub>, V<sub>cc</sub> larger than 30 ns cause Power-On-Reset, respectively entering deep power-down mode.



**Table 15. Electrical AC characteristics of IO1, IO2, CLK and RST\_N (ISO7816 interface)**

Conditions: V<sub>CC</sub> = 1.8 V ± 10 % or 3 V ± 10 % V; V<sub>SS</sub> = 0 V; T<sub>amb</sub> = -40 °C to +105 °C, unless otherwise specified. Typical values are only referenced for information. They are subject to change without notice.

Symbol	Parameter	Conditions	Min	Typ	Max	Unit
<b>Input/Output: IO1/IO2</b>						
t <sub>rIO</sub>	I/O Input rise time	Input/reception mode	[1] [2]		1	µs

**Table 15. Electrical AC characteristics of IO1, IO2, CLK and RST\_N (ISO7816 interface)...continued**

Conditions:  $V_{CC} = 1.8 V \pm 10 \%$  or  $3 V \pm 10 \% V$ ;  $V_{SS} = 0 V$ ;  $T_{amb} = -40\text{ }^{\circ}\text{C}$  to  $+105\text{ }^{\circ}\text{C}$ , unless otherwise specified. Typical values are only referenced for information. They are subject to change without notice.

Symbol	Parameter	Conditions		Min	Typ	Max	Unit
			[3] [2]			0.25 x $t_{IOWx\_min}$	$\mu\text{s}$
$t_{fIO}$	I/O Input fall time	Input/reception mode	[1] [2]			1	$\mu\text{s}$
			[3] [2]			0.25 x $t_{IOWx\_min}$	$\mu\text{s}$
$t_{rOIO}$	I/O Output rise time	Output/transmission mode; CL = 30 pF	[2]			0.1	$\mu\text{s}$
$t_{fOIO}$	I/O Output fall time	Output/transmission mode; CL = 30 pF	[2]			0.1	$\mu\text{s}$
<b>Inputs: CLK and RST_N</b>							
$f_{CLK}$	External clock frequency in ISO/IEC 7816 UART applications	$t_{CLKW}$ , $t_{amb}$ and $V_{CC}$ in their specified limits	[4]	0.85		11.5	MHz
$t_{CLKW}$	Clock pulse width i.r.t. clock period (positive pulse duty cycle of CLK)			40		60	%
$t_{rCLK}$	CLK input rise time		[5]			[6]	
$t_{fCLK}$	CLK input fall time		[2] [6]			[6]	
$t_{rRST}$	RST_N input rise time		[2]			400	$\mu\text{s}$
$t_{fRST}$	RST_N input fall time		[2] [7]			400	$\mu\text{s}$

- [1] At minimum IO1 input signal HIGH or LOW level voltage pulse width of 3.2  $\mu\text{s}$ . This timing specification applies to ISO7816 configurations down to a minimum etu duration of 16 CLK cycles at a maximum CLK frequency of 5 MHz (TA1=0x96, (Fi/Di)=(512/32)), for example.
- [2] tr is defined as rise time between 10 % and 90 % of the signal amplitude.
- [3] At minimum IO1 input signal HIGH or LOW level voltage pulse width of less than 3.2  $\mu\text{s}$ . This timing specification applies to ISO7816 configurations beyond the conditions listed in note [2], down to a minimum etu duration of 8 CLK cycles at a maximum CLK frequency of 5 MHz (TA1=0x97, (Fi/Di)=(512/64)), for example. An 8 CLKs/etu @ fclk = 5 MHz configuration results in  $t_{IOWx\_min} = 1.6\text{ }\mu\text{s}$ , and in a time of 400 ns for  $t_{rIO\_max}$  and  $t_{fIO\_max}$ , matching the (Fi/Di)=(512/64) speed enhancement requirements of ETSI TS 102 221.
- [4] ISO/IEC 7816 I/O applications have to supply a clock signal to input CLK in the frequency range of 1 MHz to 10 MHz nominal. A  $\pm 15\%$  tolerance range yields the allowed limits of 0.85 MHz and 11.5 MHz.
- [5] During AC testing the inputs CLK, RST\_N, and IO1 are driven at 0 V to +0.3 V for a LOW input level and at  $V_{CC} - 0.3\text{ V}$  to  $V_{CC}$  for a HIGH input level. Clock period and signal pulse (duty cycle) timing is measured at 50 % of  $V_{CC}$ , see [Figure 18](#).
- [6] The maximum CLK rise and fall time is 10 % of the CLK period 1/fCLK - with the following exception: In the CLK frequency range of 1 MHz to 5 MHz the maximum allowed CLK rise and fall time is 50 ns, if 10 % of the CLK period is shorter than 50 ns.
- [7] The ETSI TS102 221/GSM 11.1x specifications specify a maximum reset signal (RST\_N) rise time and fall time of 400,000  $\mu\text{s}$ , respectively.

**Note:** *tf* is defined as fall time between 90 % and 10 % of the signal amplitude.

**Table 16. Electrical AC characteristics of LA, LB; Conditions:  $T_{amb} = -40\text{ }^{\circ}\text{C}$  to  $105\text{ }^{\circ}\text{C}$ , unless otherwise specified**

Conditions:  $T_{amb} = -25\text{ }^{\circ}\text{C}$  to  $+85\text{ }^{\circ}\text{C}$ , unless otherwise specified.

Symbol	Parameter	Conditions		Typ <sup>[1]</sup>	Max	Unit
<b>Input/Output: LA, LB</b>						

**Table 16. Electrical AC characteristics of LA, LB; Conditions:  $T_{amb} = -40\text{ }^{\circ}\text{C}$  to  $105\text{ }^{\circ}\text{C}$ , unless otherwise specified...continued**

Conditions:  $T_{amb} = -25\text{ }^{\circ}\text{C}$  to  $+85\text{ }^{\circ}\text{C}$ , unless otherwise specified.

Symbol	Parameter	Conditions	Typ <sup>[1]</sup>	Max	Unit
$C_{LALB}$ <sup>[2]</sup>	Pin capacitance LA, LB Bare die (SO28 empty package ground-off)				
	Configured for antenna input with 56 pF capacitance Test frequency = 13.56 MHz; $T_{amb} = 25\text{ }^{\circ}\text{C}$	$V_{LA, LB} = 2.1\text{ V (rms)}$ $V_{LA, LB} = 0.3\text{ V (rms)}$	<sup>[3]</sup> <sup>[4]</sup> <sup>[4]</sup>	54.3 50.1	
$R_{LALB}$ <sup>[2]</sup>	Configured for antenna input with 56 pF capacitance. Test frequency = 13.56 MHz; $T_{amb} = 25\text{ }^{\circ}\text{C}$	$V_{LA, LB} = 2.1\text{ V (rms)}$	<sup>[3]</sup> <sup>[4]</sup> <sup>[5]</sup>	0.913	kΩ
$f_{LALB}$	Operating frequency LA, LB	level triggered ext.int.	13.56		MHz

- [1] Typical values ( $\pm 10\%$ ) are only referenced for information. They are subject to change without notice.
- [2] The CLALB and RLALB values stated here assume a parallel RC equivalent circuit for the chip.
- [3] The value stated here was measured at estimated start of chip operation and is comparable to the values stated in other SmartMX3 family member data sheets.
- [4] Measured with sine wave at LA, LB.
- [5] Parameter is valid in contactless ISO14443 compliant operation valid only.

### 14.3 I<sup>2</sup>C Bus Timings

Parameters defined in this chapter replace the parameter definitions of I<sup>2</sup>C bus, for specification see [4].

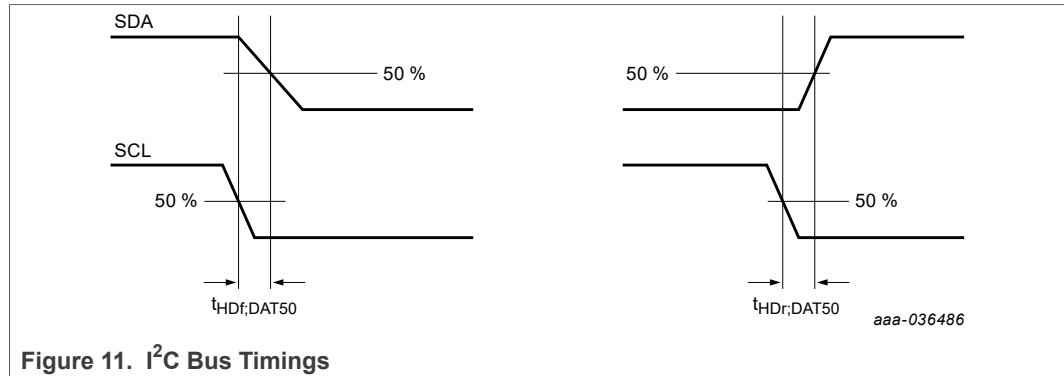


Table 17. I<sup>2</sup>C Bus Timing Specification

Symbol	Parameter	Condition	Min	Max	Unit
$t_{\text{HDf,DAT50}}^{[1]}$	data hold time 50% SCL - 50% SDA level	Fast mode	8		ns
$t_{\text{HDr,DAT50}}^{[2]}$	data hold time 50% SCL - 50% SDA level	Fast mode	24		ns
$t_{\text{HDf,DAT50}}^{[1]}$	data hold time 50% SCL - 50% SDA level	Hs mode	8		ns
$t_{\text{HDr,DAT50}}^{[2]}$	data hold time 50% SCL - 50% SDA level	Hs mode	9		ns

[1]  $t_{\text{HDf,DAT50}}$ , as defined in [Figure 11](#), replaces parameter  $t_{\text{HD,DAT}}$  defined in [\[4\]](#)

[2]  $t_{\text{HDr,DAT50}}$ , as defined in [Figure 11](#), replaces parameter  $t_{\text{HD,DAT}}$  defined in [\[4\]](#)

## 14.4 EMC/EMI

EMC and EMI resistance according to IEC 61967-4.



## 15 Abbreviations

Table 18. Abbreviations

Acronym	Description
AES	Advanced Encryption Standard
APDU	Application Protocol Data Unit
CL	Contactless
CLK	External clock signal input contact pad
CC	Common Criteria
CMAC	Cipher-based MAC
CRC	Cyclic Redundancy Check
CRI	Cryptography Research Incorporated
DES	Digital Encryption Standard
DPA	Differential Power Analysis
DSS	Digital Signature Standard
EAL	Evaluation Assurance Level
ECC	Elliptic Curve Cryptography
EMC	Electromagnetic compatibility
EMI	Electro Magnetic Immunity
FM	Fast-Mode
FM+	Fast-Mode+
GP	Global Platform
GPIO	General-purpose input/output
HS	High-Speed-Mode
HKDF	HMAC-based Extract-and-Expand Key Derivation Function
HMAC	Keyed-Hash Message Authentication Code
HW	Hardware
IC	Integrated Circuit
I <sup>2</sup> C	Inter-Integrated Circuit
I/O	Input/Output
IoT	Internet of Things
JCOP	Java Card Open Platform
LA	ISO 14443 Antenna Pad
LB	ISO 14443 Antenna Pad
NFC	Near Field Communication
MAC	Message Authentication Code
MCU	Microcontroller unit
MPU	Microprocessor

Table 18. Abbreviations...continued

Acronym	Description
MW	Middleware
OS	Operating System
NIST	National Institute for Standards and Technology
PCB	Protocol Control Byte
PKI	Public Key Infrastructure
PRF	Pseudo Random Function
RAM	Random Access Memory
RSA	Rivest-Shamir-Adleman
RST	Reset
SAM	Secure Access Module
SCL	Serial clock
SDA	Serial data
SPA	Simple Power Analysis
SFI	Single Fault Injection
SHA	Secure Hash Algorithm
SW	Software
TLS	Transport Layer Security
V <sub>CC</sub>	Supply Voltage Input
V <sub>IN</sub>	Voltage Input
V <sub>OUT</sub>	Voltage Output
V <sub>SS</sub>	Ground

## 16 References

---

- [1] NXP SE05x T=1 Over I<sup>2</sup>C Specification User manual, document number UM11225. Available on [NXP website](#)
- [2] SOT1969-1; HX2QFN20; Reel packing and package information. Available on [NXP website](#)
- [3] SE050 IoT Applet APDU Specification, document number AN 12413. Available on [NXP website](#)
- [4] SE050 configurations Application Note, document number AN12436. Available on [NXP website](#)
- [5] SE050 Use and Security Guidelines Application Note, document number AN12514. Available on [NXP website](#).

## 17 Revision history

Table 19. Revision history

Document ID	Release date	Data sheet status	Change notice	Supersedes
504933	2021-07-01	Product data sheet		504932
Modifications	<ul style="list-style-type: none"> <li>• Insert SE050F2 variant to <a href="#">Table 3</a></li> </ul>			
504932	2021-05-05	Product data sheet		504931
Modifications	<ul style="list-style-type: none"> <li>• updated <a href="#">Section 2.2</a></li> <li>• updated <a href="#">Table 2</a></li> <li>• Moved technical information on secure objects in <a href="#">Section 3.1.2</a> to the APDU specification <a href="#">[3]</a></li> <li>• Replave "master/slave" with "controller/target"</li> <li>• updated <a href="#">Figure 1</a></li> <li>• Updated references</li> </ul>			
504931	2020-12-15	Product data sheet		504930
Modifications	<ul style="list-style-type: none"> <li>• updated <a href="#">Figure 2</a></li> <li>• updated legal information</li> <li>• corrected <a href="#">Section 1.3</a></li> </ul>			
504930	2020-05-12	Product data sheet		504913
Modifications	<ul style="list-style-type: none"> <li>• updated: <a href="#">Section 7.1.1</a></li> <li>• updated: <a href="#">Table 6</a></li> <li>• updated: <a href="#">Section 2.3</a></li> <li>• added <a href="#">Section 3.4</a></li> <li>• added <a href="#">Figure 3</a></li> <li>• added <a href="#">Section 14.3</a></li> <li>• updated <a href="#">Section 12</a></li> <li>• updated <a href="#">Section 14.1.3</a></li> <li>• updated <a href="#">Section 14.2</a></li> <li>• updated <a href="#">Section 14.1.2</a></li> <li>• updated <a href="#">Section 13</a></li> </ul>			
504913	20190607	Objective data sheet		504912
504912	20190510	Objective data sheet		504911
504911	20181122	Objective data sheet		

## 18 Legal information

### 18.1 Data sheet status

Document status <sup>[1][2]</sup>	Product status <sup>[3]</sup>	Definition
Objective [short] data sheet	Development	This document contains data from the objective specification for product development.
Preliminary [short] data sheet	Qualification	This document contains data from the preliminary specification.
Product [short] data sheet	Production	This document contains the product specification.

[1] Please consult the most recently issued document before initiating or completing a design.

[2] The term 'short data sheet' is explained in section "Definitions".

[3] The product status of device(s) described in this document may have changed since this document was published and may differ in case of multiple devices. The latest product status information is available on the Internet at URL <http://www.nxp.com>.

### 18.2 Definitions

**Draft** — A draft status on a document indicates that the content is still under internal review and subject to formal approval, which may result in modifications or additions. NXP Semiconductors does not give any representations or warranties as to the accuracy or completeness of information included in a draft version of a document and shall have no liability for the consequences of use of such information.

**Short data sheet** — A short data sheet is an extract from a full data sheet with the same product type number(s) and title. A short data sheet is intended for quick reference only and should not be relied upon to contain detailed and full information. For detailed and full information see the relevant full data sheet, which is available on request via the local NXP Semiconductors sales office. In case of any inconsistency or conflict with the short data sheet, the full data sheet shall prevail.

**Product specification** — The information and data provided in a Product data sheet shall define the specification of the product as agreed between NXP Semiconductors and its customer, unless NXP Semiconductors and customer have explicitly agreed otherwise in writing. In no event however, shall an agreement be valid in which the NXP Semiconductors product is deemed to offer functions and qualities beyond those described in the Product data sheet.

### 18.3 Disclaimers

**Limited warranty and liability** — Information in this document is believed to be accurate and reliable. However, NXP Semiconductors does not give any representations or warranties, expressed or implied, as to the accuracy or completeness of such information and shall have no liability for the consequences of use of such information. NXP Semiconductors takes no responsibility for the content in this document if provided by an information source outside of NXP Semiconductors. In no event shall NXP Semiconductors be liable for any indirect, incidental, punitive, special or consequential damages (including - without limitation - lost profits, lost savings, business interruption, costs related to the removal or replacement of any products or rework charges) whether or not such damages are based on tort (including negligence), warranty, breach of contract or any other legal theory. Notwithstanding any damages that customer might incur for any reason whatsoever, NXP Semiconductors' aggregate and cumulative liability towards customer for the products described herein shall be limited in accordance with the Terms and conditions of commercial sale of NXP Semiconductors.

**Right to make changes** — NXP Semiconductors reserves the right to make changes to information published in this document, including without limitation specifications and product descriptions, at any time and without

notice. This document supersedes and replaces all information supplied prior to the publication hereof.

**Suitability for use** — NXP Semiconductors products are not designed, authorized or warranted to be suitable for use in life support, life-critical or safety-critical systems or equipment, nor in applications where failure or malfunction of an NXP Semiconductors product can reasonably be expected to result in personal injury, death or severe property or environmental damage. NXP Semiconductors and its suppliers accept no liability for inclusion and/or use of NXP Semiconductors products in such equipment or applications and therefore such inclusion and/or use is at the customer's own risk.

**Applications** — Applications that are described herein for any of these products are for illustrative purposes only. NXP Semiconductors makes no representation or warranty that such applications will be suitable for the specified use without further testing or modification. Customers are responsible for the design and operation of their applications and products using NXP Semiconductors products, and NXP Semiconductors accepts no liability for any assistance with applications or customer product design. It is customer's sole responsibility to determine whether the NXP Semiconductors product is suitable and fit for the customer's applications and products planned, as well as for the planned application and use of customer's third party customer(s). Customers should provide appropriate design and operating safeguards to minimize the risks associated with their applications and products. NXP Semiconductors does not accept any liability related to any default, damage, costs or problem which is based on any weakness or default in the customer's applications or products, or the application or use by customer's third party customer(s). Customer is responsible for doing all necessary testing for the customer's applications and products using NXP Semiconductors products in order to avoid a default of the applications and the products or of the application or use by customer's third party customer(s). NXP does not accept any liability in this respect.

**Limiting values** — Stress above one or more limiting values (as defined in the Absolute Maximum Ratings System of IEC 60134) will cause permanent damage to the device. Limiting values are stress ratings only and (proper) operation of the device at these or any other conditions above those given in the Recommended operating conditions section (if present) or the Characteristics sections of this document is not warranted. Constant or repeated exposure to limiting values will permanently and irreversibly affect the quality and reliability of the device.

**Terms and conditions of commercial sale** — NXP Semiconductors products are sold subject to the general terms and conditions of commercial sale, as published at <http://www.nxp.com/profile/terms>, unless otherwise agreed in a valid written individual agreement. In case an individual agreement is concluded only the terms and conditions of the respective agreement shall apply. NXP Semiconductors hereby expressly objects to applying the customer's general terms and conditions with regard to the purchase of NXP Semiconductors products by customer.

**No offer to sell or license** — Nothing in this document may be interpreted or construed as an offer to sell products that is open for acceptance or the grant, conveyance or implication of any license under any copyrights, patents or other industrial or intellectual property rights.

**Quick reference data** — The Quick reference data is an extract of the product data given in the Limiting values and Characteristics sections of this document, and as such is not complete, exhaustive or legally binding.

**Export control** — This document as well as the item(s) described herein may be subject to export control regulations. Export might require a prior authorization from competent authorities.

**Non-automotive qualified products** — Unless this data sheet expressly states that this specific NXP Semiconductors product is automotive qualified, the product is not suitable for automotive use. It is neither qualified nor tested in accordance with automotive testing or application requirements. NXP Semiconductors accepts no liability for inclusion and/or use of non-automotive qualified products in automotive equipment or applications. In the event that customer uses the product for design-in and use in automotive applications to automotive specifications and standards, customer (a) shall use the product without NXP Semiconductors' warranty of the product for such automotive applications, use and specifications, and (b) whenever customer uses the product for automotive applications beyond NXP Semiconductors' specifications such use shall be solely at customer's own risk, and (c) customer fully indemnifies NXP Semiconductors for any liability, damages or failed product claims resulting from customer design and use of the product for automotive applications beyond NXP Semiconductors' standard warranty and NXP Semiconductors' product specifications.

**Translations** — A non-English (translated) version of a document is for reference only. The English version shall prevail in case of any discrepancy between the translated and English versions.

**Security** — Customer understands that all NXP products may be subject to unidentified or documented vulnerabilities. Customer is responsible for the design and operation of its applications and products throughout their lifecycles to reduce the effect of these vulnerabilities on customer's applications and products. Customer's responsibility also extends to other

open and/or proprietary technologies supported by NXP products for use in customer's applications. NXP accepts no liability for any vulnerability. Customer should regularly check security updates from NXP and follow up appropriately. Customer shall select products with security features that best meet rules, regulations, and standards of the intended application and make the ultimate design decisions regarding its products and is solely responsible for compliance with all legal, regulatory, and security related requirements concerning its products, regardless of any information or support that may be provided by NXP. NXP has a Product Security Incident Response Team (PSIRT) (reachable at PSIRT@nxp.com) that manages the investigation, reporting, and solution release to security vulnerabilities of NXP products.

## 18.4 Licenses

### ICs with DPA Countermeasures functionality



NXP ICs containing functionality implementing countermeasures to Differential Power Analysis and Simple Power Analysis are produced and sold under applicable license from Cryptography Research, Inc.

## 18.5 Trademarks

Notice: All referenced brands, product names, service names and trademarks are the property of their respective owners.

**I<sup>2</sup>C-bus** — logo is a trademark of NXP B.V.

**MIFARE** — is a trademark of NXP B.V.

**JCOP** — is a trademark of NXP B.V.

**NXP** — wordmark and logo are trademarks of NXP B.V.

**EdgeLock** — is a trademark of NXP B.V.

## Tables

Tab. 1.	SE050 commercial name format .....	2	Tab. 12.	Electrical characteristics of IC supply voltage VCC; VSS = 0 V; Tamb = -40 °C to +105 °C .....	19
Tab. 2.	Feature Overview .....	4	Tab. 13.	Non-volatile memory timing characteristics .....	20
Tab. 3.	SE050 Ordering information .....	10	Tab. 14.	Electrical AC characteristics of I2C_SDA, I2C_SCL, and RST_N; VCC = 1.8 V ± 10 % or 3 V ± 10 % V; VSS = 0 V; Tamb = -40 °C to + 105 °C .....	20
Tab. 4.	SE050 Ordering information for development kit .....	10	Tab. 15.	Electrical AC characteristics of IO1, IO2, CLK and RST_N (ISO7816 interface) .....	21
Tab. 5.	Pin description HX2QFN20 .....	12	Tab. 16.	Electrical AC characteristics of LA, LB; Conditions: Tamb = -40 °C to 105 °C, unless otherwise specified .....	22
Tab. 6.	Marking codes .....	13	Tab. 17.	I2C Bus Timing Specification .....	24
Tab. 7.	Reel packing options .....	14	Tab. 18.	Abbreviations .....	25
Tab. 8.	Limiting values .....	14	Tab. 19.	Revision history .....	28
Tab. 9.	Recommended operating conditions .....	14			
Tab. 10.	Electrical DC characteristics of Input/Output: IO1/IO2. Conditions: VCC = 1.62 V to 3.6 V (see ; VSS = 0 V; Tamb = -40 °C to + 105 °C, unless otherwise specified .....	15			
Tab. 11.	Electrical DC characteristics of I2C pads SDA, SCL. Conditions: VCC, VIN = 1.62 V to 3.6 V; VSS = 0 V; Tamb = -40 °C to + 105 °C, unless otherwise specified* .....	19			

## Figures

Fig. 1.	SE050 solution block diagram .....	2	Fig. 7.	Input characteristic of IO1/IO2 .....	18
Fig. 2.	SE050 functional diagram - example Open SSL .....	6	Fig. 8.	Input characteristic of CLK when the IC is not in reset .....	18
Fig. 3.	target address .....	9	Fig. 9.	Input characteristic of CLK during IC reset .....	18
Fig. 4.	Pin configuration for HX2QFN20 (SOT1969-1) .....	12	Fig. 10.	External clock drive and AC test timing reference points of I2C_SDA, I2C_SCL, and RST_N (see 1) and 2)) in open-drain mode .....	21
Fig. 5.	Characteristic supply voltage operating range .....	15	Fig. 11.	I2C Bus Timings .....	23
Fig. 6.	Input characteristic of RST_N .....	17			

## Contents

<b>1</b>	<b>Introduction</b>	<b>1</b>
1.1	SE050 use cases	1
1.2	SE050 target applications	2
1.3	SE050 naming convention	2
<b>2</b>	<b>Features and benefits</b>	<b>3</b>
2.1	Key benefits	3
2.2	Key features	3
2.3	Features in detail	4
<b>3</b>	<b>Functional description</b>	<b>6</b>
3.1	Functional diagram	6
3.1.1	Random number generator	6
3.1.2	Supported secure object types	6
3.1.3	Access control	7
3.1.4	Sessions and multi-threading	7
3.1.5	Attestation and trust provisioning	7
3.1.6	Application support	7
3.2	Credential Storage & Memory	8
3.3	Preprovisioned "Ease of Use" configurations	8
3.4	Startup behaviour	8
<b>4</b>	<b>Communication interfaces</b>	<b>8</b>
4.1	I2C Interfaces	8
4.1.1	Supported I2C frequencies	9
4.2	ISO7816 and ISO14443 Interface	9
<b>5</b>	<b>Power-saving modes</b>	<b>9</b>
5.1	Power-down mode	9
5.2	Deep Power-down mode	10
<b>6</b>	<b>Ordering information</b>	<b>10</b>
6.1	Ordering options	10
6.2	Ordering SE050 samples	10
6.3	Configuration	11
<b>7</b>	<b>Pinning information</b>	<b>12</b>
7.1	Pinning	12
7.1.1	Pinning HX2QFN20	12
<b>8</b>	<b>Package</b>	<b>13</b>
<b>9</b>	<b>Marking</b>	<b>13</b>
<b>10</b>	<b>Packing information</b>	<b>13</b>
10.1	Reel packing	13
<b>11</b>	<b>Electrical and timing characteristics</b>	<b>14</b>
<b>12</b>	<b>Limiting values</b>	<b>14</b>
<b>13</b>	<b>Recommended operating conditions</b>	<b>14</b>
<b>14</b>	<b>Characteristics</b>	<b>15</b>
14.1	DC characteristics	15
14.1.1	General and General Purpose I/O interface	15
14.1.2	I2C Interface	19
14.1.3	Power consumption	19
14.2	AC characteristics	20
14.3	I2C Bus Timings	23
14.4	EMC/EMI	24
<b>15</b>	<b>Abbreviations</b>	<b>25</b>
<b>16</b>	<b>References</b>	<b>27</b>
<b>17</b>	<b>Revision history</b>	<b>28</b>
<b>18</b>	<b>Legal information</b>	<b>29</b>

Please be aware that important notices concerning this document and the product(s) described herein, have been included in section 'Legal information'.

© NXP B.V. 2021.

All rights reserved.

For more information, please visit: <http://www.nxp.com>

For sales office addresses, please send an email to: [salesaddresses@nxp.com](mailto:salesaddresses@nxp.com)

Date of release: 1 July 2021  
Document number: 504933